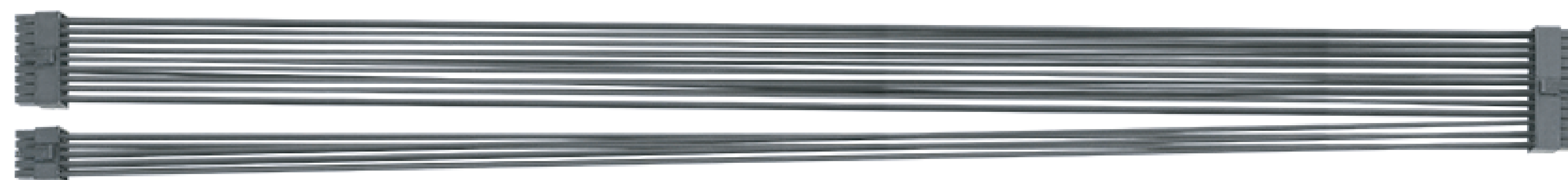


Motherboard Power Cable x 1 (600mm)



CPU Cable x 2 (650mm)



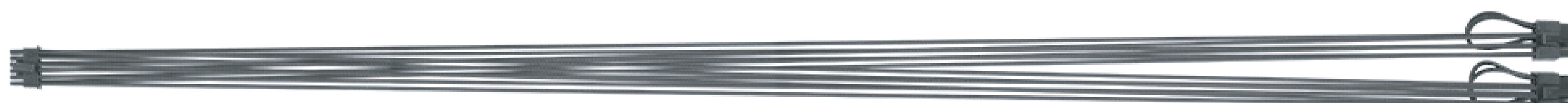
PCI-E Gen 5.0 16-pin Cable x 1 (700mm)



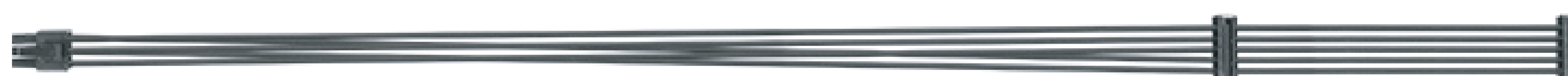
PCI-E 1-to-1 Cable x 1 (700mm)



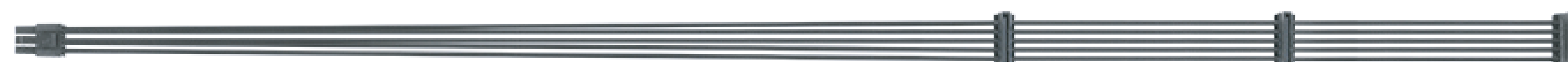
PCI-E 1-to-2 Cable x 1 (700mm)



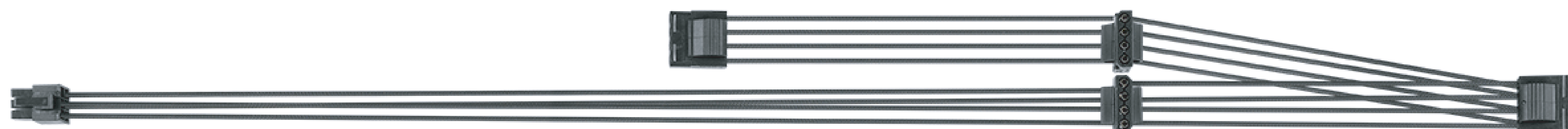
SATA 1-to-2 Cable x 1 (400 + 120 mm)



SATA 1-to-3 Cable x 1 (400 + 120 + 120 mm)



Peripheral 1-to-4 Cable x 1 (400 + 150 + 150 + 150 mm)



Addressable RGB Cable x 1 (800mm)

