



Mini PC PN64 Series

User Manual



CA20561

Revised Edition V2

July 2022

COPYRIGHT INFORMATION

No part of this manual, including the products and software described in it, may be reproduced, transmitted, transcribed, stored in a retrieval system, or translated into any language in any form or by any means, except documentation kept by the purchaser for backup purposes, without the express written permission of ASUSTeK COMPUTER INC. ("ASUS").

ASUS PROVIDES THIS MANUAL "AS IS" WITHOUT WARRANTY OF ANY KIND, EITHER EXPRESS OR IMPLIED, INCLUDING BUT NOT LIMITED TO THE IMPLIED WARRANTIES OR CONDITIONS OF MERCHANTABILITY OR FITNESS FOR A PARTICULAR PURPOSE. IN NO EVENT SHALL ASUS, ITS DIRECTORS, OFFICERS, EMPLOYEES OR AGENTS BE LIABLE FOR ANY INDIRECT, SPECIAL, INCIDENTAL, OR CONSEQUENTIAL DAMAGES (INCLUDING DAMAGES FOR LOSS OF PROFITS, LOSS OF BUSINESS, LOSS OF USE OR DATA, INTERRUPTION OF BUSINESS AND THE LIKE), EVEN IF ASUS HAS BEEN ADVISED OF THE POSSIBILITY OF SUCH DAMAGES ARISING FROM ANY DEFECT OR ERROR IN THIS MANUAL OR PRODUCT.

Products and corporate names appearing in this manual may or may not be registered trademarks or copyrights of their respective companies, and are used only for identification or explanation and to the owners' benefit, without intent to infringe.

SPECIFICATIONS AND INFORMATION CONTAINED IN THIS MANUAL ARE FURNISHED FOR INFORMATIONAL USE ONLY, AND ARE SUBJECT TO CHANGE AT ANY TIME WITHOUT NOTICE, AND SHOULD NOT BE CONSTRUED AS A COMMITMENT BY ASUS. ASUS ASSUMES NO RESPONSIBILITY OR LIABILITY FOR ANY ERRORS OR INACCURACIES THAT MAY APPEAR IN THIS MANUAL, INCLUDING THE PRODUCTS AND SOFTWARE DESCRIBED IN IT.

Copyright © 2022 ASUSTeK COMPUTER INC. All Rights Reserved.

LIMITATION OF LIABILITY

Circumstances may arise where because of a default on ASUS' part or other liability, you are entitled to recover damages from ASUS. In each such instance, regardless of the basis on which you are entitled to claim damages from ASUS, ASUS is liable for no more than damages for bodily injury (including death) and damage to real property and tangible personal property; or any other actual and direct damages resulted from omission or failure of performing legal duties under this Warranty Statement, up to the listed contract price of each product.

ASUS will only be responsible for or indemnify you for loss, damages or claims based in contract, tort or infringement under this Warranty Statement.

This limit also applies to ASUS' suppliers and its reseller. It is the maximum for which ASUS, its suppliers, and your reseller are collectively responsible.

UNDER NO CIRCUMSTANCES IS ASUS LIABLE FOR ANY OF THE FOLLOWING: (1) THIRD-PARTY CLAIMS AGAINST YOU FOR DAMAGES; (2) LOSS OF, OR DAMAGE TO, YOUR RECORDS OR DATA; OR (3) SPECIAL, INCIDENTAL, OR INDIRECT DAMAGES OR FOR ANY ECONOMIC CONSEQUENTIAL DAMAGES (INCLUDING LOST PROFITS OR SAVINGS), EVEN IF ASUS, ITS SUPPLIERS OR YOUR RESELLER IS INFORMED OF THEIR POSSIBILITY.

SERVICE AND SUPPORT

Visit our multi-language web site at <https://www.asus.com/support/>

Contents

About this manual.....	5
Conventions used in this manual.....	6
Package contents	7

Getting to know your Mini PC

Features.....	10
Front view	10
Rear view.....	14

Using your Mini PC

Getting started	20
Connect the AC power adapter to your Mini PC.....	20
Connect a display panel to your Mini PC.....	22
Connect the USB cable from keyboard or mouse.....	25
Turn on your Mini PC	26
Turning off your Mini PC	27
Putting your Mini PC to sleep.....	27
Entering BIOS Setup	27
Load default BIOS settings.....	28

Upgrading your Mini PC

Removing the bottom cover	31
Replacing the bottom cover	33
Installing memory modules.....	35
Installing a 2.5" HDD or SSD.....	36
Installing an M.2 SSD	38
Installing a wireless card	40

TPM

About the TPM.....	44
--------------------	----

Contents

Appendix

Safety information.....	46
Setting up your system	47
Care during use.....	47
Regulatory notices	49
Service and Support	56

About this manual

This manual provides information about the hardware and software features of your Mini PC, organized through the following chapters:

Chapter 1: Getting to know your Mini PC

This chapter details the hardware components of your Mini PC.

Chapter 2: Using your Mini PC

This chapter provides you with information on using your Mini PC.

Chapter 3: Upgrading your Mini PC

This chapter provides you with information on how to upgrade the memory modules, wireless modules, and hard disk drive / solid state drive of your Mini PC.

Chapter 4: TPM

This chapter provides you with information on the TPM options.

Appendix

This section includes notices and safety statements for your Mini PC.

Conventions used in this manual

To highlight key information in this manual, some text are presented as follows:

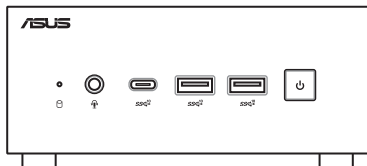
IMPORTANT! This message contains vital information that must be followed to complete a task.

NOTE: This message contains additional information and tips that can help complete tasks.

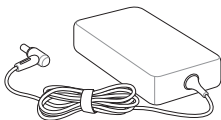
WARNING! This message contains important information that must be followed to keep you safe while performing certain tasks and prevent damage to your Mini PC's data and components.

Package contents

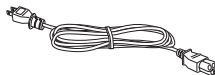
Your Mini PC package contains the following items:



ASUS Mini PC PN Series



AC power adapter*



Power cord*



Technical documentation

NOTE:

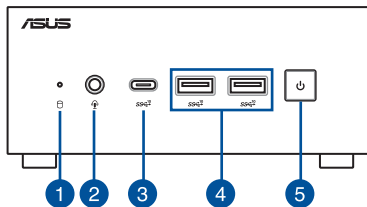
- *The bundled power adapter may vary by model and territory.
 - Some bundled accessories may vary with different models. For details on these accessories, refer to their respective user manuals.
 - The device illustration is for reference only. Actual product specifications may vary depending on model.
 - If the device or its components fail or malfunction during normal and proper use within the warranty period, bring the warranty card to the ASUS Service Center for replacement of the defective components.
-

1

Getting to know your Mini PC

Features

Front view



1



Drive activity indicator

This indicator lights up when your Mini PC is accessing the internal storage drive.

2



Headphone/Headset/Microphone jack (optional)

This port allows you to connect amplified speakers or headphones. You can also use this port to connect your headset or an external microphone.

3



USB 3.2 Gen 2 Type-C® port

This USB 3.2 Gen 2 Type-C® port provides the following:

- Transfer rate of up to 10 Gbit/s for USB 3.2 Gen 1 devices.
- Backward compatible to USB 2.0.
- USB power delivery with a maximum of 5V / 3A output.

4



USB 3.2 Gen 2 port

The USB 3.2 Gen 2 (Universal Serial Bus) port provides a transfer rate up to 10 Gbit/s.

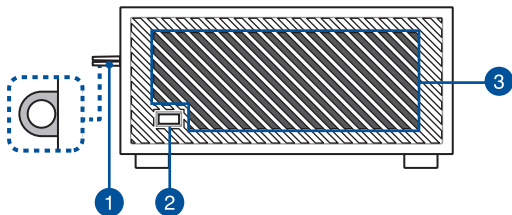
5



Power button

The power button allows you to turn the Mini PC on or off. You can use the power button to put your Mini PC to sleep mode or press it for four (4) seconds to force shutdown your Mini PC.

Left view



1

Padlock ring

This ring allows you to attach a standard padlock to prevent unauthorized disassembly of your Mini PC.

NOTE: The padlock is purchased separately.

2

Kensington security slot

The Kensington security slot allows you to secure your Mini PC using Kensington® security products.

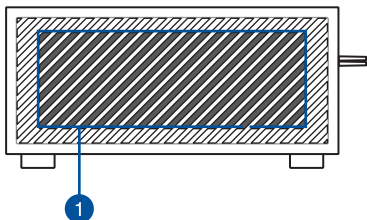
3

Air vents (intake vent)

The air vents allow cooler air to enter your Mini PC chassis.

IMPORTANT: For optimal heat dissipation and air ventilation, make sure that the air vents are free from obstructions.

Right view



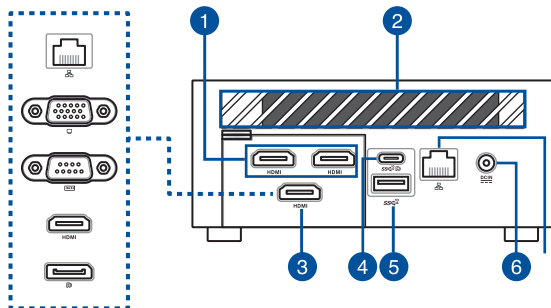
1

Air vents (intake vent)

The air vents allow cooler air to enter your Mini PC chassis.

IMPORTANT: For optimal heat dissipation and air ventilation, make sure that the air vents are free from obstructions.

Rear view



1 HDMI HDMI™ port

The HDMI™ (High Definition Multimedia Interface) port supports a Full-HD device such as an LCD TV or monitor to allow viewing on a larger external display.

NOTE:

The left HDMI port supports CEC (Consumer Electronics Control). Connect any CEC compatible device that you want to control with a remote control to this port, and make sure that the device's HDMI-CEC is enabled.

When using only this port as a display output source, this port will support a resolution of up to 4096 x 2160 @60Hz. The resolution may also be affected by the cabling and output device.

2

Air vents (exhaust vent)

The air vents allow your Mini PC chassis to expel hot air.

IMPORTANT: For optimal heat dissipation and air ventilation, make sure that the air vents are free from obstructions.

3

Configurable port

This port varies between models and consists of the following port options:

NOTE: This port may vary depending on model.



LAN port

The 8-pin RJ-45 LAN port supports a standard Ethernet cable for 10/100/1000/2500Mbps connection to a local network.



VGA port

This port allows you to connect your Mini PC to an external display.

NOTE: When using only this port as a display output source, this port will support a resolution of up to 1920 x 1200 @60Hz. The resolution may also be affected by the cabling and output device.



Serial (COM) connector

The 9-pin serial (COM) connector allows you to connect devices that have serial ports, such as mouse, modem, and printers.

HDMI **HDMI™ port**

The HDMI™ (High Definition Multimedia Interface) port supports a Full-HD device such as an LCD TV or monitor to allow viewing on a larger external display.

NOTE: When using only this port as a display output source, this port will support a resolution of up to 7680 x 4320 @60Hz. The resolution may also be affected by the cabling and output device.



DisplayPort

This port allows you to connect your Mini PC to an external display.

NOTE: When using only this port as a display output source, this port will support a resolution of up to 5120 x 2160 @60Hz. The resolution may also be affected by the cabling and output device.

4



USB 3.2 Gen 2 Type-C® / DisplayPort / Power (DC) input combo port

This USB 3.2 Gen 2 Type-C® port provides the following:

- USB power delivery with a maximum of 5V / 3A output.
- Support for power (DC) input when connected to an external device that is PD (Power Delivery) compliant with a 20V / 5A output.
- Support for DisplayPort 1.4 with a maximum resolution of 5120 x 2160 at 60Hz with 24-bit color when it is the only display output source. Use a USB Type-C® adapter (purchased separately) to connect your Mini PC to an external display.

5



USB 3.2 Gen 2 port

The USB 3.2 Gen 2 (Universal Serial Bus) port provides a transfer rate up to 10 Gbit/s.

6



Power input

The supplied power adapter converts AC power to DC power for use with this jack. Power supplied through this jack supplies power to the Mini PC. To prevent damage to the Mini PC, always use the supplied power adapter.

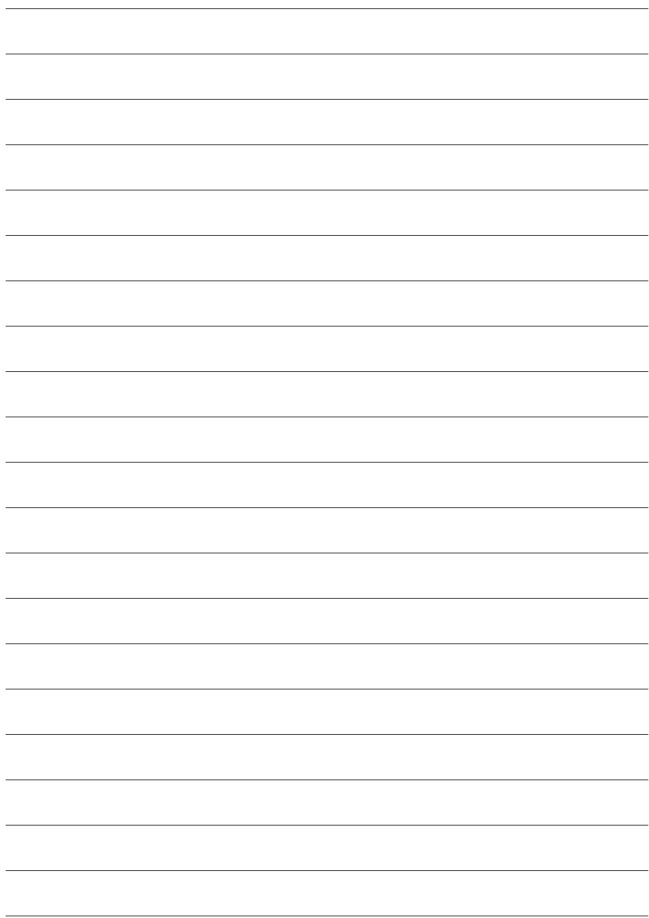
WARNING! The power adapter may become warm to hot when in use. Do not cover the adapter and keep it away from your body.

7



LAN port

The 8-pin RJ-45 LAN port supports a standard Ethernet cable for 10/100/1000/2500Mbps connection to a local network.



2

Using your Mini PC

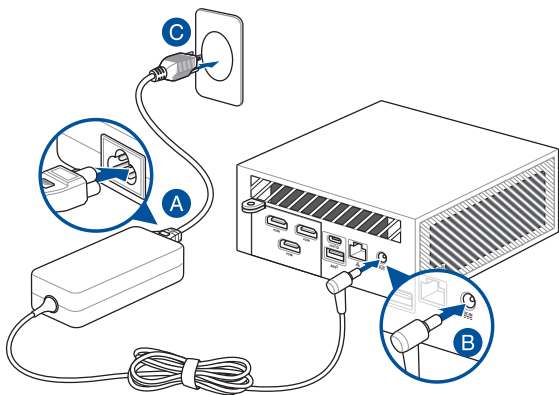
Getting started

Connect the AC power adapter to your Mini PC

To connect the AC power adapter to your Mini PC:

- Connect the power cord to the AC power adapter.
- Connect the DC power connector into your Mini PC's power (DC) input.
- Plug the AC power adapter into a 100 V~240 V power source.

NOTE: The power adapter may vary in appearance, depending on the model and your region.



NOTE:

Please refer to the following for more information on the adapter:

90 W Power adapter

- Input voltage: 100-240 Vac
- Input frequency: 50-60 Hz
- Rated output current and voltage: 4.62 A (90 W) / 19.5 V

120 W Power adapter

- Input voltage: 100-240 Vac
 - Input frequency: 50-60 Hz
 - Rated output current and voltage: 6 A (120 W) / 20 V
6.32 A (120 W) / 19V
-

Connect a display panel to your Mini PC

You can connect a display panel or projector to your Mini PC that has the following port:

- HDMI™ port
- VGA port
- DisplayPort
- USB Type-C®/DisplayPort/Power (DC) input combo port

NOTE:

- Up to four display panels may be connected simultaneously, depending on available display ports*.
- 7680 x 4320 @60Hz support will require connection to two DisplayPort 1.4 ports.
- Using one of the ports listed below as the only display output source will provide the following maximum resolution**:
 - HDMI™ port
Supports a resolution of up to 4096 x 2160 @60Hz.
 - Configurable VGA port
Supports a resolution of up to 1920 x 1200 @60Hz.
 - Configurable HDMI™ port
Supports a resolution of up to 7680 x 4320 @60Hz.
 - Configurable DisplayPort port
Supports a resolution of up to 5120 x 2160 @60Hz.

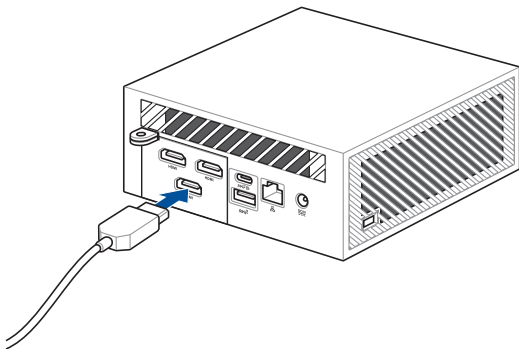
* **The ports may vary per model. Please refer to the Features section for the location of the ports.**

** **The maximum resolution may be affected by the cabling and output device.**

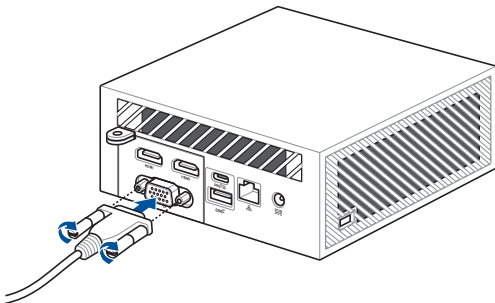
To connect a display panel to your Mini PC:

Connect one end of an HDMI™, VGA, DisplayPort, or USB cable to an external display, and the other end of the cable to your Mini PC's HDMI™ port, VGA port, DisplayPort, or USB Type-C®/DisplayPort/Power (DC) input combo port.

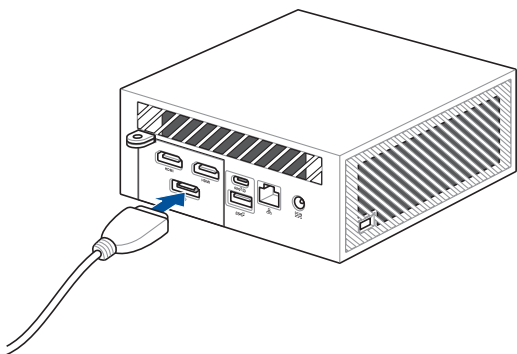
Connect display via HDMI™ port



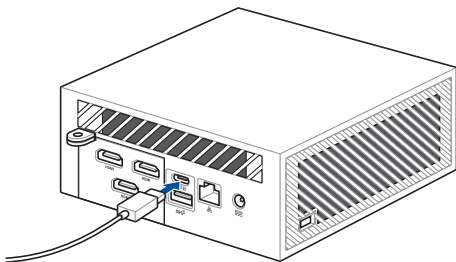
Connect display via VGA port



Connect display via DisplayPort



Connect display via USB Type-C®/DisplayPort/Power (DC) input combo port



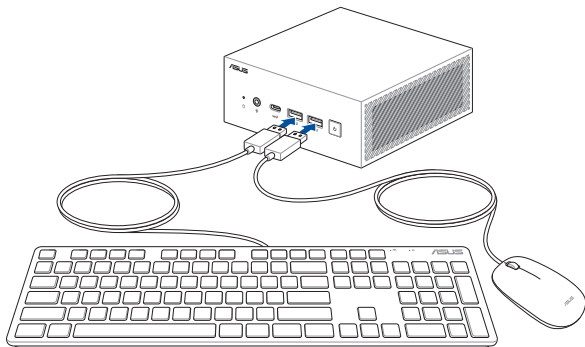
Connect the USB cable from keyboard or mouse

You can connect generally any USB keyboard and mouse to your Mini PC. You can also connect a USB dongle for a wireless keyboard and mouse set.

To connect a keyboard and mouse to your Mini PC:

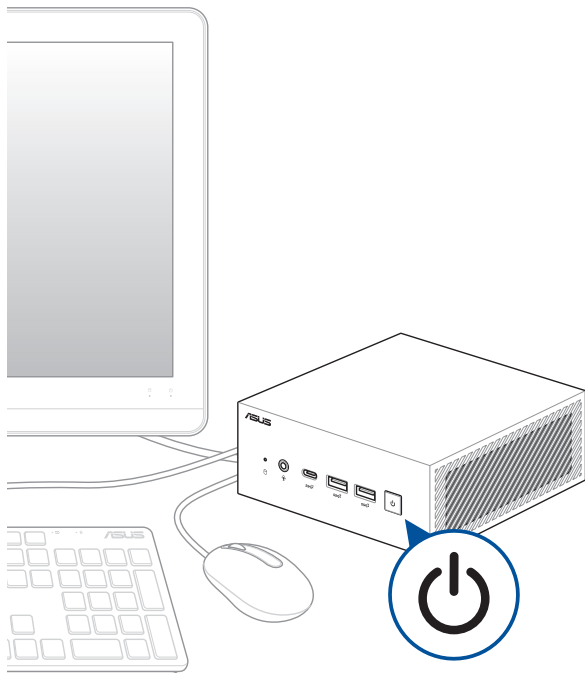
Connect the USB cable from your keyboard and mouse to any of the USB ports of your Mini PC.

NOTE: The keyboard varies depending on country or region.



Turn on your Mini PC

Press the power button to turn on your Mini PC.



Turning off your Mini PC

If your Mini PC is unresponsive, press and hold the power button for at least four (4) seconds until your Mini PC turns off.

Putting your Mini PC to sleep

To set your Mini PC to enter Sleep mode by pressing the Power button once, search for **Control Panel** in the Windows Search Box, then navigate to **Hardware and Sound > Power Options > Choose what the power button does**, and set **When I press the power button** to **Sleep**.

Entering BIOS Setup

BIOS (Basic Input and Output System) stores system hardware settings that are needed for system startup on the Mini PC.

Under normal circumstances, the default BIOS settings apply to most conditions to ensure optimal performance. Do not change the default BIOS settings except in the following circumstances:

- An error message appears on the screen during the system bootup and requests you to run BIOS Setup.
- You have installed a new system component that requires further BIOS settings or update.

WARNING! Inappropriate BIOS settings may result in instability or boot failure. We strongly recommend that you change the BIOS settings only with the help of a trained service personnel.

Load default BIOS settings

To load the default values for each of the parameters in your BIOS:

1. Enter the BIOS by pressing <F2> or from the POST screen.

NOTE: POST (Power-On Self Test) is a series of software controlled diagnostic tests that run when you turn on your Mini PC.

2. Navigate to the **Exit** menu.
3. Select the **Load Optimized Defaults** option or press <F5>.
4. Select **OK** to load the default BIOS values.

3

Upgrading your Mini PC

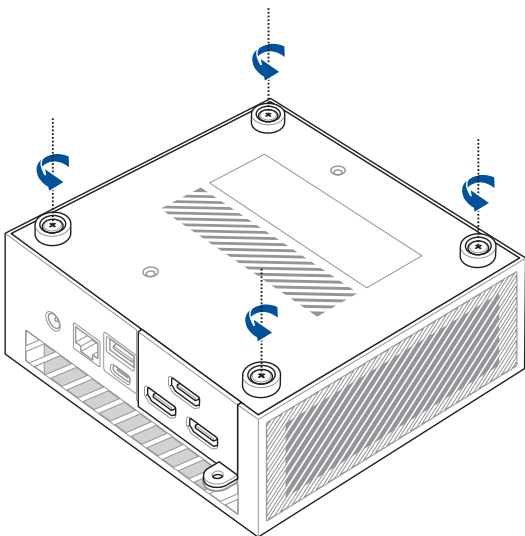
IMPORTANT!

- It is recommended that you install or upgrade the memory modules, wireless card, and solid state drive (SSD) under professional supervision. Visit an ASUS service center for further assistance.
 - Make sure that your hands are dry before proceeding with the rest of the installation process. Before installing any of the features in this guide, use a grounded wrist strap or touch a safely grounded object or metal object to avoid damaging them due to static electricity.
-

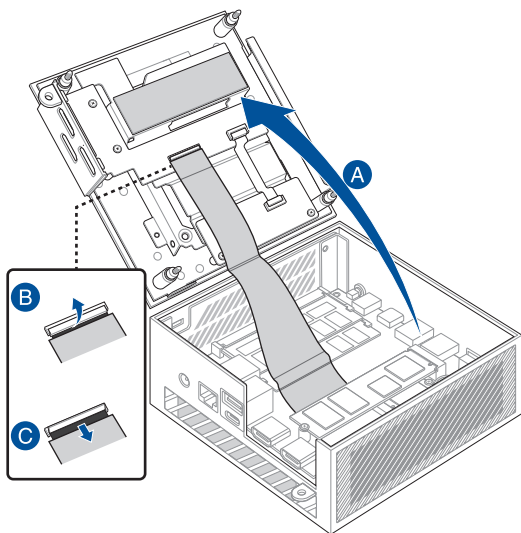
NOTE: The illustrations in this section are for reference only. The slots may vary depending on model.

Removing the bottom cover

1. Turn off your Mini PC then disconnect all cables and peripherals.
2. Place the Mini PC on a flat stable surface with its top side facing down.
3. Completely loosen the four (4) screws from the bottom cover.



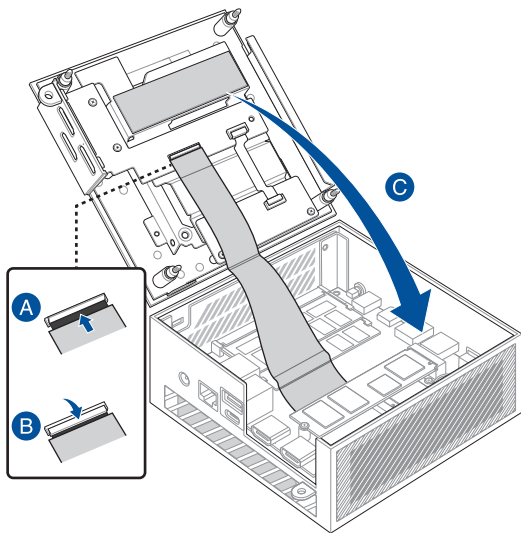
4. Gently lift the bottom cover in the direction shown in the illustration (A), then flip the connector flaps open (B) and remove the cable (C).



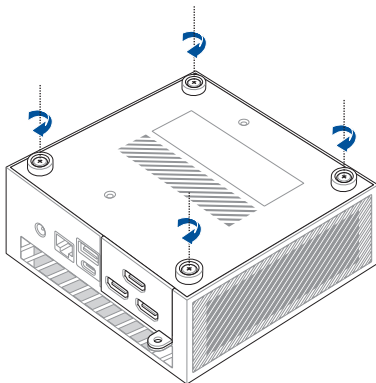
Replacing the bottom cover

1. Insert the cable into the connectors (A), then close the flaps to secure the cable (B). Close the bottom cover (C).

IMPORTANT! Ensure the PCB gold fingers on the cable are facing the connectors.



2. Tighten the four (4) screws on the bottom cover to secure it in place.

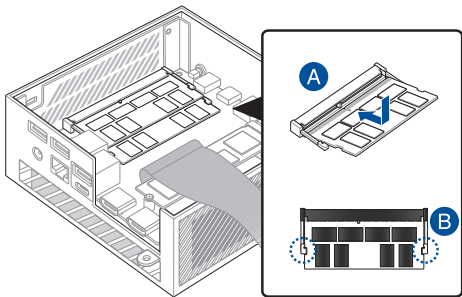


Installing memory modules

Your Mini PC comes with two SO-DIMM memory slots that allow you to install two DDR5 SO-DIMMs.

IMPORTANT! Refer to <http://www.asus.com> for a list of compatible DIMMs. You can only install DDR5 SO-DIMMs to the Mini PC's DIMM slots.

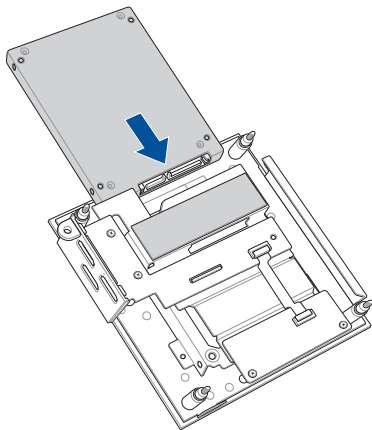
Align and insert the memory module into the slot (A) and press down (B) until it is securely seated in place. Repeat the same steps to install the other memory module.



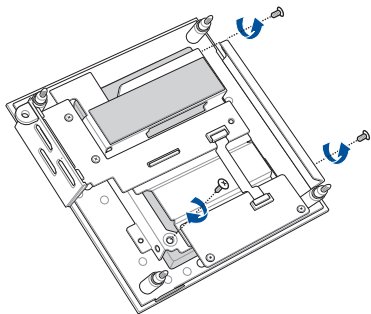
Installing a 2.5" HDD or SSD

1. Prepare your 2.5" HDD or SSD, then align it with the storage bay on the bottom cover of your Mini PC.
2. Insert your HDD or SSD into the storage bay.

IMPORTANT! This device only supports 7mm and 9.5mm 2.5" HDD or SSD.



- Secure the HDD or SSD with three (3) screws.

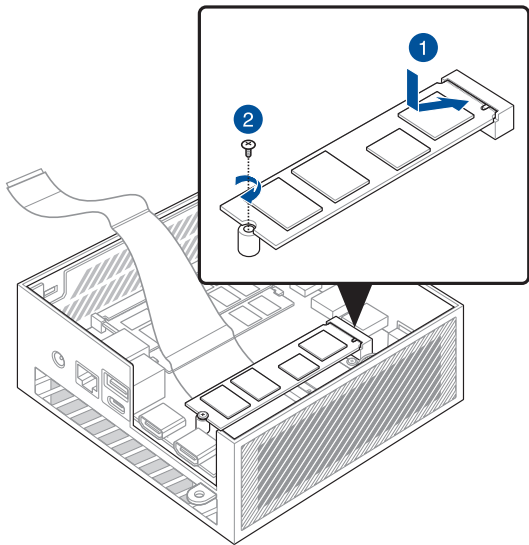


Installing an M.2 SSD

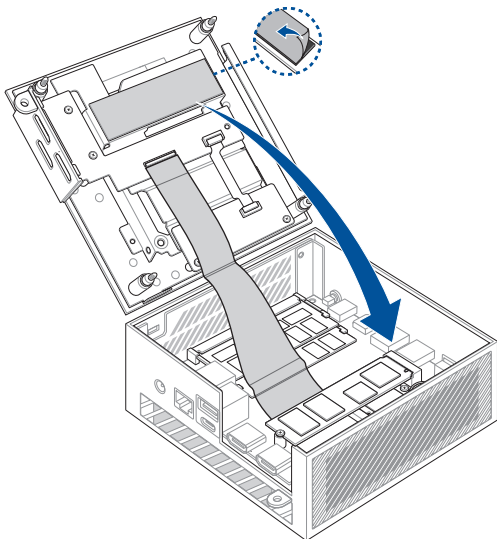
Your Mini PC comes with an M.2 slot in the chassis.

To install an M.2 SSD into the chassis

1. Align and insert the 2280 M.2 SSD into its slot inside the Mini PC.
2. Gently push down the 2280 M.2 SSD on top of the standoff and fasten it using one of the bundled 3mm round screws.



3. Before closing the bottom cover, make sure to remove the plastic film on the thermal pad.



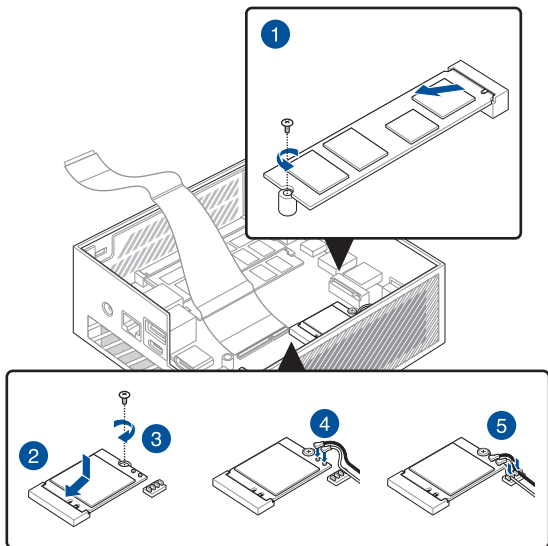
Installing a wireless card

NOTE: Your Mini PC includes an M.2 slot for 2230 wireless and Bluetooth modules. Refer to <http://www.asus.com> for a list of compatible wireless and Bluetooth modules.

1. (optional) Remove the M.2 SSD if one is installed. To remove the M.2 SSD, remove the screw from the standoff, then remove the M.2 SSD.
 2. Align and insert the wireless card into its slot inside the Mini PC.
 3. Gently push down the wireless card on top of the standoff and fasten it using a screw.
 4. (optional) Connect the antennas to your wireless card.
 5. (optional) Organize your antenna cables with the cable holder clips.
-

NOTE:

- Connecting antennas to your wireless card may strengthen the wireless signal.
 - A soft clicking sound indicates that the antenna has been securely attached to the wireless card.
-



TPM

4

About the TPM

The system comes with two (2) TPM options: firmware TPM (fTPM) or the discrete TPM (dTPM). The dTPM is an onboard chip and the availability of the onboard dTPM chip may vary between models.

NOTE:

- The fTPM is supported by default, but may not be enabled, for more information on enabling the TPM, please refer to www.asus.com/support.
 - The dTPM is optional and is available on selected models
-

You may use the following methods to check whether your system comes with dTPM:

- Using the Windows Security App
 - a. Navigate to **Start > Settings > Update & Security > Windows Security > Device Security**.
 - b. Check if there is a **Security Processor** section on this screen, if there is no **Security Processor** section on this screen, there may not be a dTPM on this model, or the dTPM may be disabled.
- Using the Microsoft Management Console
 - a. Navigate to **Start > Run** or press **[Windows Key] + R**.
 - b. Type `tpm.msc`, then choose **OK**.
 - c. If you see a message confirming TPM is ready to use, then there is a dTPM available and enabled. If you see a message saying "Compatible TPM cannot be found", there may not be a dTPM on this model, or the dTPM may be disabled.

For more information on TPM, please refer to FAQ at www.asus.com/support/.

Appendix

Safety information

Your Mini PC is designed and tested to meet the latest standards of safety for information technology equipment. However, to ensure your safety, it is important that you read the following safety instructions.



- Do not ingest battery, Chemical Burn Hazard.
- This product contains a coin / button cell battery. If the coin /button cell battery is swallowed, it can cause severe internal burns in just 2 hours and can lead to death.
- Keep new and used batteries away from children.
- If the battery compartment does not close securely, stop using the product and keep it away from children.
- If you think batteries might have been swallowed or placed inside any part of the body, seek immediate medical attention.

Lithium-Ion Battery Warning

CAUTION: Danger of explosion if battery is incorrectly replaced. Replace only with the same or equivalent type recommended by the manufacturer. Dispose of used batteries according to the manufacturer's instructions.

NO DISASSEMBLY

The warranty does not apply to the products that have been disassembled by users

Setting up your system

- Read and follow all instructions in the documentation before you operate your system.
- Do not use this product near water or a heated source.
- Set up the system on a stable surface.
- Openings on the chassis are for ventilation. Do not block or cover these openings. Make sure you leave plenty of space around the system for ventilation. Never insert objects of any kind into the ventilation openings.
- Use this product in environments with ambient temperatures between 0°C and 35°C.
- If you use an extension cord, make sure that the total ampere rating of the devices plugged into the extension cord does not exceed its ampere rating.
- This product should be connected by means of a power cord to a socket-outlet with earthing connection.
- This equipment should be installed and operated with a minimum distance of 20cm between the radiator and your body.

Care during use

- Do not walk on the power cord or allow anything to rest on it.
- Do not spill water or any other liquids on your system.
- When the system is turned off, a small amount of electrical current still flows. Always unplug the power cord from the power outlets before cleaning the system.
- If you encounter the following technical problems with the product, unplug the power cord and contact a qualified service technician or your retailer.
 - The power cord or plug is damaged.
 - Liquid has been spilled into the system.
 - The system does not function properly even if you follow the operating instructions.
 - The system was dropped or the cabinet is damaged.
 - The system performance changes.

- Avoid contact with hot components inside the Mini PC. During operation, some components become hot enough to burn the skin. Before you open the computer cover, turn off the computer, disconnect the power, and wait approximately 30 minutes for the components to cool.
- Disposal of a battery into fire or a hot oven, or mechanically crushing or cutting of a battery, that can result in an explosion;
- Leaving a battery in an extremely high temperature surrounding environment that can result in an explosion or the leakage of flammable liquid or gas;
- A battery subjected to extremely low air pressure that may result in an explosion or the leakage of flammable liquid or gas.

Safety Precautions

Accessories that came with this product have been designed and verified for the use in connection with this product. Never use accessories for other products to prevent the risk of electric shock or fire.

Regulatory notices

COATING NOTICE

IMPORTANT! To provide electrical insulation and maintain electrical safety, a coating is applied to insulate the device except on the areas where the I/O ports are located.

Federal Communications Commission Statement

This device complies with Part 15 of the FCC Rules. Operation is subject to the following two conditions:

- This device may not cause harmful interference, and
- This device must accept any interference received including interference that may cause undesired operation.

This equipment has been tested and found to comply with the limits for a Class B digital device, pursuant to Part 15 of the FCC Rules. These limits are designed to provide reasonable protection against harmful interference in a residential installation.

This equipment generates, uses and can radiate radio frequency energy and, if not installed and used in accordance with manufacturer's instructions, may cause harmful interference to radio communications. However, there is no guarantee that interference will not occur in a particular installation. If this equipment does cause harmful interference to radio or television reception, which can be determined by turning the equipment off and on, the user is encouraged to try to correct the interference by one or more of the following measures:

- Reorient or relocate the receiving antenna.
- Increase the separation between the equipment and receiver.
- Connect the equipment to an outlet on a circuit different from that to which the receiver is connected.
- Consult the dealer or an experienced radio/TV technician for help.

IMPORTANT! Outdoor operations in the 5.15~5.25 GHz band is prohibited. This device has no Ad-hoc capability for 5250~5350 and 5470~5725 MHz.

CAUTION! Any changes or modifications not expressly approved by the grantee of this device could void the user's authority to operate the equipment.

RF exposure warning

This equipment must be installed and operated in accordance with provided instructions and the antenna(s) used for this transmitter must be installed to provide a separation distance of at least 20 cm from all persons and must not be co-located or operating in conjunction with any other antenna or transmitter. End-users and installers must be provide with antenna installation instructions and transmitter operating conditions for satisfying RF exposure compliance.

ISED Radiation Exposure Statement for Canada

This equipment complies with ISED radiation exposure limits set forth for an uncontrolled environment. To maintain compliance with ISED RF exposure compliance requirements, please avoid direct contact to the transmitting antenna during transmitting. End users must follow the specific operating instructions for satisfying RF exposure compliance.

Operation is subject to the following two conditions:

- This device may not cause interference and
- This device must accept any interference, including interference that may cause undesired operation of the device.

HDMI Trademark Notice

The terms HDMI, HDMI High-Definition Multimedia Interface, and the HDMI Logo are trademarks or registered trademarks of HDMI Licensing Administrator, Inc.

Compliance Statement of Innovation, Science and Economic Development Canada (ISED)

This device complies with Innovation, Science and Economic Development Canada licence exempt RSS standard(s). Operation is subject to the following two conditions: (1) this device may not cause interference, and (2) this device must accept any interference, including interference that may cause undesired operation of the device.

CAN ICES-003(B)/NMB-003(B)

Wireless Operation Channel for Different Domains

N. America	2.412-2.462 GHz	Ch01 through CH11
Japan	2.412-2.484 GHz	Ch01 through Ch14
Europe ETSI	2.412-2.472 GHz	Ch01 through Ch13

Declaration of compliance for product environmental regulation

ASUS follows the green design concept to design and manufacture our products, and makes sure that each stage of the product life cycle of ASUS product is in line with global environmental regulations. In addition, ASUS disclose the relevant information based on regulation requirements.

Please refer to <http://csr.asus.com/Compliance.htm> for information disclosure based on regulation requirements ASUS is complied with:

EU REACH and Article 33

Complying with the REACH (Registration, Evaluation, Authorization, and Restriction of Chemicals) regulatory framework, we publish the chemical substances in our products at ASUS REACH website at

<http://csr.asus.com/english/REACH.htm>

EU RoHS

This product complies with the EU RoHS Directive. For more details, see <http://csr.asus.com/english/article.aspx?id=35>

ASUS Recycling/Takeback Services

ASUS recycling and takeback programs come from our commitment to the highest standards for protecting our environment. We believe in providing solutions for you to be able to responsibly recycle our products, batteries, other components as well as the packaging materials. Please go to <http://csr.asus.com/english/Takeback.htm> for detailed recycling information in different regions.

Ecodesign Directive

European Union announced a framework for the setting of ecodesign requirements for energy-related products (2009/125/EC). Specific Implementing Measures are aimed at improving environmental performance of specific products or across multiple product types. ASUS provides product information on the CSR website. The further information could be found at <https://csr.asus.com/english/article.aspx?id=1555>.



DO NOT throw the device in municipal waste. This product has been designed to enable proper reuse of parts and recycling. This symbol of the crossed out wheeled bin indicates that the product (electrical, electronic equipment, and mercury-containing button cell battery) should not be placed in municipal waste. Check local technical support services for product recycling.

EPEAT (Electronic Product Environmental Assessment Tool) registered products

The public disclosure of key environmental information for ASUS EPEAT registered products is available on CSR web site <http://csr.asus.com/english/article.aspx?id=41>. More information about EPEAT program and purchaser guidance can be found on the EPEAT website www.epeat.net.

ENERGY STAR complied product

ENERGY STAR is a joint program of the U.S. Environmental Protection Agency and the U.S. Department of Energy helping us all save money and protect the environment through energy efficient products and practices.



All ASUS products with the ENERGY STAR logo comply with the ENERGY STAR standard, and the power management feature is enabled by default. The monitor and computer are automatically set to sleep after 10 and 30 minutes of user inactivity. To wake your computer, click the mouse or press any

key on the keyboard.

Please visit <http://www.energystar.gov/powermanagement> for detail information on power management and its benefits to the environment. In addition, please visit <http://www.energystar.gov> for detail information on the ENERGY STAR joint program.

NOTE: Energy Star is NOT supported on FreeDOS and Linux-based products.

Simplified EU Declaration of Conformity

ASUSTek Computer Inc. hereby declares that this device is in compliance with the essential requirements and other relevant provisions of Directive 2014/53/EU. Full text of EU declaration of conformity is available at <https://www.asus.com/support/>.

The WiFi operating in the band 5150-5350 MHz shall be restricted to indoor use for countries listed in the table below:

a. Low Power Indoor (LPI) Wi-Fi 6E devices:

The device is restricted to indoor use only when operating in the 5945 to 6425 MHz frequency range in Belgium (BE), Bulgaria (BG), Cyprus (CY), Czech Republic (CZ), Estonia (EE), France (FR), Iceland (IS), Ireland (IE), Lithuania (LT), Germany (DE), Netherlands (NL), Spain (ES).

b. Very Low Power (VLP) Wi-Fi 6E devices (portable devices):

The device is not permitted to be used on Unmanned Aircraft Systems (UAS) when operating in the 5945 to 6425 MHz frequency range in Belgium (BE), Bulgaria (BG), Cyprus (CY), Czech Republic (CZ), Estonia (EE), France (FR), Iceland (IS), Ireland (IE), Lithuania (LT), Germany (DE), Netherlands (NL), Spain (ES).

AT	BE	BG	CZ	DK	EE	FR
DE	IS	IE	IT	EL	ES	CY
LV	LI	LT	LU	HU	MT	NL
NO	PL	PT	RO	SI	SK	TR
FI	SE	CH	HR	UK (NI)		



Service and Support

Visit our multi-language website at <https://www.asus.com/support/>.





Mini PC

Série PN64

Manuel de l'utilisateur



F20561

Deuxième Édition

Juillet 2022

INFORMATIONS SUR LES DROITS D'AUTEUR

Aucun extrait de ce manuel, incluant les produits et logiciels qui y sont décrits, ne peut être reproduit, transmis, transcrit, stocké dans un système de restitution, ou traduit dans quelque langue que ce soit sous quelque forme ou quelque moyen que ce soit, à l'exception de la documentation conservée par l'acheteur dans un but de sauvegarde, sans la permission écrite expresse de ASUSTeK Computer Inc ("ASUS").

ASUS fournit ce manuel "en l'état" sans garantie d'aucune sorte, explicite ou implicite, y compris, mais non limité aux garanties implicites ou aux conditions de commerciabilité ou d'adéquation à un but particulier. En aucun cas ASUS, ses directeurs, ses cadres, ses employés ou ses agents ne peuvent être tenus responsables des dégâts indirects, spéciaux, accidentels ou consécutifs (y compris les dégâts pour manque à gagner, pertes de profits, perte de jouissance ou de données, interruption professionnelle ou assimilée), même si ASUS a été prévenu de la possibilité de tels dégâts découlant de tout défaut ou erreur dans le présent manuel ou produit.

Les noms des produits et des sociétés qui apparaissent dans le présent manuel peuvent être, ou non, des marques commerciales déposées, ou sujets à copyrights pour leurs sociétés respectives, et ne sont utilisés qu'à des fins d'identification ou d'explication, et au seul bénéfice des propriétaires, sans volonté d'infraction.

Les spécifications et les informations contenues dans ce manuel sont fournies à titre indicatif seulement et sont sujettes à des modifications sans préavis, et ne doivent pas être interprétées comme un engagement de la part d'ASUS. ASUS n'est en aucun cas responsable d'éventuelles erreurs ou inexactitudes présentes dans ce manuel, y compris les produits et les logiciels qui y sont décrits.

Copyright © 2022 ASUSTeK COMPUTER INC. Tous droits réservés.

CLAUSE DE RESPONSABILITÉ LIMITÉE

Des dommages peuvent survenir suite à un défaut sur une pièce fabriquée par ASUS ou un tiers. Vous avez le droit à des dommages et intérêts auprès d'ASUS. Dans un tel cas, indépendamment de la base sur laquelle vous avez droit de revendiquer les dommages et intérêts auprès d'ASUS, ASUS ne peut être responsable de plus que des dommages et intérêts pour les dommages corporels (y compris la mort) et les dégâts aux biens immobiliers et aux biens personnels tangibles ; ou les autres dommages et intérêts réels et directs résultant de l'omission ou de la défaillance d'exécuter ses devoirs légaux au titre de la présente Déclaration de Garantie, jusqu'au prix forfaitaire officiel de chaque produit.

ASUS n'est responsable et ne peut vous indemniser qu'au titre des pertes, des dégâts ou revendications basés sur le contrat, des préjudices ou des infractions à cette Déclaration de Garantie.

Cette limite s'applique aussi aux fournisseurs d'ASUS et à ses revendeurs. Il s'agit du maximum auquel ASUS, ses fournisseurs, et votre revendeur, sont collectivement responsables.

En aucune circonstance ASUS n'est responsable pour ce qui suit : (1) les revendications de tiers contre vous pour des dommages et intérêts ; (2) les pertes, ou dégâts, à vos enregistrements de données ; ou (3) les dommages et intérêts spéciaux, fortuits, ou indirects ou pour n'importe quels dommages et intérêts économiques consécutifs (incluant les pertes de profits ou d'économies), et ce même si ASUS, ses fournisseurs ou votre revendeur sont informés d'une telle possibilité.

SERVICE ET ASSISTANCE

Visitez notre site multilingue d'assistance en ligne sur <https://www.asus.com/fr/support/>

Table des matières

À propos de ce manuel	5
Messages.....	6
Contenu de la boîte.....	7

Présentation de votre mini PC

Fonctionnalités.....	10
Vue avant	10
Vue arrière.....	14

Utilisation de votre mini PC

Prise en main	20
Connecter l'adaptateur secteur à votre mini PC	20
Connecter un périphérique d'affichage au mini PC.....	22
Connecter un clavier ou une souris USB	25
Allumez votre mini PC	26
Éteindre le mini PC.....	27
Basculer le mini PC en mode veille.....	27
Accéder à l'interface de configuration du BIOS	27
Charger les paramètres par défaut du BIOS	28

Mise à niveau du mini PC

Retirer le couvercle inférieur	31
Replacer le couvercle inférieur.....	33
Installer des modules de mémoire.....	35
Installer un disque dur ou SSD 2,5"	36
Installer un module M.2 SSD.....	38
Installer une carte WiFi	40

Module TPM

À propos du module TPM	44
------------------------------	----

Table des matières

Annexes

Consignes de sécurité.....	46
Configurer le système	47
Précautions à suivre lors de l'utilisation.....	47
Précautions d'emploi de l'appareil	48
Informations réglementaires.....	49
Service et assistance.....	56

À propos de ce manuel

Ce manuel offre une vue d'ensemble des caractéristiques logicielles et matérielles de votre mini PC, et est constitué des chapitres suivants :

Chapitre 1 : Présentation de votre mini PC

Ce chapitre détaille les composants matériels de votre mini PC.

Chapitre 2 : Utilisation du mini PC

Ce chapitre offre des informations sur l'utilisation de votre mini PC.

Chapitre 3 : Mise à niveau du mini PC

Ce chapitre offre des instructions sur la mise à niveau des modules de mémoire, des modules WiFi et du disque dur ou du lecteur SSD de votre mini PC.

Chapitre 4 : Module TPM

Ce chapitre offre des informations sur les options du module TPM.

Annexes

Cette section inclut un certain nombre de notices relatives à la sécurité.

Messages

Pour mettre en valeur les informations essentielles offertes par ce guide, les messages sont présentés de la manière qui suit :

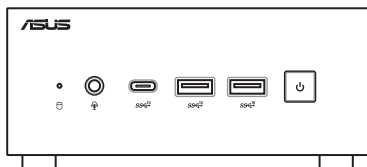
IMPORTANT ! Ce message contient des informations essentielles devant être suivies pour compléter une tâche.

REMARQUE : Ce message contient des informations et des astuces additionnelles pouvant vous aider à compléter certaines tâches.

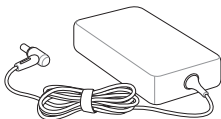
AVERTISSEMENT ! Ce message contient des informations importantes devant être suivies pour garantir votre sécurité lors de l'exécution de certaines tâches et de ne pas endommager les données du mini PC et ses composants.

Contenu de la boîte

La boîte de votre mini PC contient les éléments suivants :



Mini PC ASUS Série PN



Adaptateur secteur*



Cordon d'alimentation*



Documentation technique

REMARQUE :

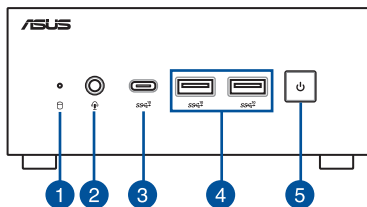
- *L'adaptateur secteur peut varier en fonction du modèle, du pays ou de la région d'achat.
 - Certains accessoires fournis peuvent varier en fonction du modèle. Pour plus de détails sur ces accessoires, consultez leur manuel respectif.
 - Les illustrations de l'appareil sont données à titre indicatif uniquement. Les caractéristiques du produit peuvent varier en fonction du modèle.
 - Si l'appareil ou l'un de ses composants tombe en panne dans des conditions d'utilisation normales, et ce lors de la période de garantie, rendez-vous dans le service client ASUS le plus proche de chez vous muni de la carte de garantie pour une prise sous garantie de votre appareil.
-

1

Présentation de votre mini PC

Fonctionnalités

Vue avant



1



Témoin d'activité du disque dur

Ce voyant lumineux s'allume pour indiquer que le mini PC accède à un ou plusieurs supports de stockage comme le disque dur interne.

2



Prise casque / micro-casque / microphone (optionnelle)

Cette prise est utilisée pour connecter la sortie audio de l'appareil à des haut-parleurs équipés d'un amplificateur ou un casque. Vous pouvez aussi utiliser cette prise pour connecter un microphone au mini PC.

3



SSC[®]

Port USB 3.2 Gen 2 Type-C[®]

Le port USB 3.2 Gen 2 Type-C[®] vous offre les avantages suivants :

- Vitesse de transfert allant jusqu'à 10 Gb/s pour les appareils USB 3.2 Gen 1.
- Rétrocompatible avec les périphériques USB 2.0.
- Alimentation USB avec un courant de sortie jusqu'à 5V / 3A.

4



Port USB 3.2 Gen 2

L'interface USB 3.2 Gen 2 offre des taux de transfert de données allant jusqu'à 10 Gb/s.

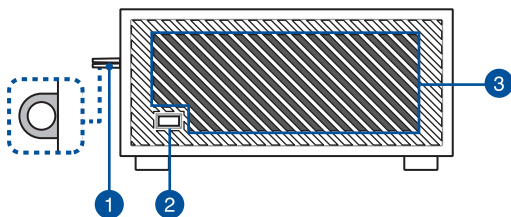
5



Bouton d'alimentation

Ce bouton d'alimentation permet d'allumer ou d'éteindre le mini PC. Vous pouvez aussi l'utiliser pour basculer le mini PC en mode veille ou appuyer sur ce bouton pendant environ quatre (4) secondes pour éteindre le mini PC.

Côté gauche



1

Anneau de sûreté

Cet anneau vous permet d'attacher un cadenas standard afin d'éviter tout démontage non autorisé de votre mini PC.

REMARQUE : Le cadenas est vendu séparément.

2

Encoche de sécurité Kensington®

L'encoche Kensington® permet de sécuriser le mini PC à l'aide des dispositifs de sécurité compatibles.

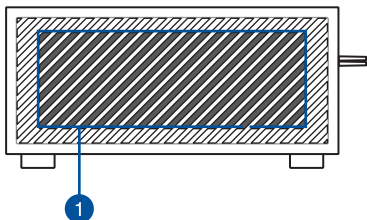
3

Fentes d'aération (entrée d'air)

Ces fentes d'aération permettent à l'air frais de pénétrer à l'intérieur du châssis et de refroidir le mini PC.

IMPORTANT : Assurez-vous qu'aucun objet ne bloque les fentes d'aération pour garantir une dissipation optimale de la chaleur et une bonne ventilation de l'air.

Côté droit



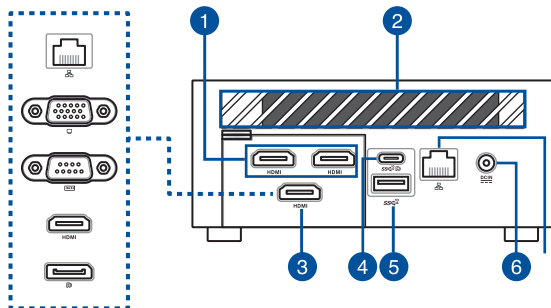
1

Fentes d'aération (entrée d'air)

Ces fentes d'aération permettent à l'air frais de pénétrer à l'intérieur du châssis et de refroidir le mini PC.

IMPORTANT : Assurez-vous qu'aucun objet ne bloque les fentes d'aération pour garantir une dissipation optimale de la chaleur et une bonne ventilation de l'air.

Vue arrière



1 HDMI Port HDMI®

Le port HDMI® prend en charge les périphériques d'affichage Full-HD tels que les moniteurs ou les téléviseurs LCD pour permettre l'affichage sur un écran externe plus grand.

REMARQUE :

Le port HDMI® gauche prend en charge CEC (Consumer Electronics Control). Connectez à ce port tout appareil compatible CEC que vous souhaitez contrôler avec une télécommande et assurez-vous que l'option HDMI-CEC de l'appareil est activée.

Lorsque vous utilisez uniquement ce port comme sortie d'affichage, la résolution maximale prise en charge est de 4096 x 2160 @60Hz. La résolution peut également être affectée par le câblage et le périphérique en sortie.

2

Fentes d'aération (sortie d'air)

Les fentes d'aération permettent d'expulser l'excès de chaleur du châssis du mini PC.

IMPORTANT : Assurez-vous qu'aucun objet ne bloque les fentes d'aération pour garantir une dissipation optimale de la chaleur et une bonne ventilation de l'air.

3

Port configurable

Ce port varie en fonction des modèles et comprend les options de port suivantes :

REMARQUE : Ce port peut varier en fonction du modèle.



Port réseau

Le port réseau RJ-45 (8 broches) prend en charge un câble Ethernet standard pour établir une connexion 10/100/1000/2500 Mb/s à un réseau local.



Port VGA

Ce port est utilisé pour connecter votre mini PC à un périphérique d'affichage externe.

REMARQUE : Lorsque vous utilisez uniquement ce port comme sortie d'affichage, la résolution maximale prise en charge est de 1920 x 1200 @60Hz. La résolution peut également être affectée par le câblage et le périphérique en sortie.



Port série (COM)

Cette interface à neuf broches vous permet de connecter des périphériques dotés d'un connecteur série (ex : souris, modem, imprimante, etc).

HDMI **Port HDMI®**

Le port HDMI® prend en charge les périphériques d'affichage Full-HD tels que les moniteurs ou les téléviseurs LCD pour permettre l'affichage sur un écran externe plus grand.

REMARQUE : Lorsque vous utilisez uniquement ce port comme sortie d'affichage, la résolution maximale prise en charge est de 7680 x 4320 @60Hz. La résolution peut également être affectée par le câblage et le périphérique en sortie.



DisplayPort

Ce port est utilisé pour connecter votre mini PC à un périphérique d'affichage externe.

REMARQUE : Lorsque vous utilisez uniquement ce port comme sortie d'affichage, la résolution maximale prise en charge est de 5120 x 2160 @60Hz. La résolution peut également être affectée par le câblage et le périphérique en sortie.

4



Port combiné USB 3.2 Gen 2 Type-C® / DisplayPort / Prise d'alimentation (CC)

Le port USB 3.2 Gen 2 Type-C® vous offre les avantages suivants :

- Alimentation USB avec un courant de sortie jusqu'à 5V / 3A.
- Prise en charge de l'alimentation (CC) si connecté à un appareil externe compatible USB PD (Power Delivery) avec un courant de sortie de 20V/5A (100W).
- Prise en charge de DisplayPort 1.4 avec une résolution maximale de 5120 x 2160 @60 Hz sur une profondeur de couleurs de 24 bits lorsqu'il s'agit de la seule sortie d'affichage. Ce port permet de connecter le Mini PC à un périphérique d'affichage externe à l'aide d'un adaptateur USB Type-C® (vendu séparément).

5



Port USB 3.2 Gen 2

L'interface USB 3.2 Gen 2 offre des taux de transfert de données allant jusqu'à 10 Gb/s.

6



Prise d'alimentation

Branchez l'adaptateur secteur sur cette prise pour convertir le courant alternatif en courant continu. Le courant passant par cette prise permet d'alimenter le mini PC. Pour éviter d'endommager le mini PC, utilisez toujours l'adaptateur secteur fourni.

AVERTISSEMENT ! L'adaptateur peut atteindre une température élevée lorsque celui-ci est relié à l'appareil. Ne couvrez pas l'adaptateur et tenez-le éloigné de vous lorsque celui-ci est branché à une source d'alimentation.

7



Port réseau

Le port réseau RJ-45 (8 broches) prend en charge un câble Ethernet standard pour établir une connexion 10/100/1000/2500 Mb/s à un réseau local.



2

Utilisation de votre mini PC

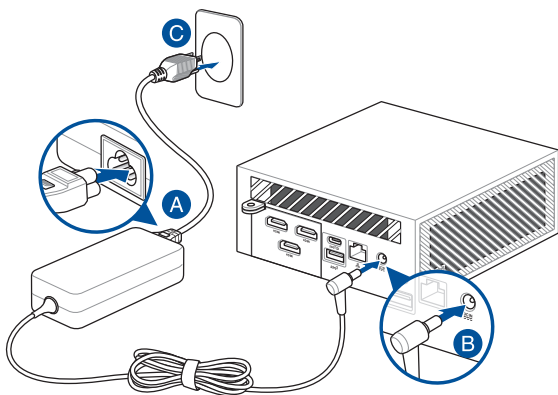
Prise en main

Connecter l'adaptateur secteur à votre mini PC

Pour connecter l'adaptateur secteur à votre mini PC :

- A. Connectez le cordon d'alimentation à l'adaptateur secteur.
- B. Reliez l'adaptateur secteur à la prise d'alimentation (CC) du mini PC.
- C. Branchez l'adaptateur secteur sur une prise électrique fournissant un courant compris entre 100V et 240V.

REMARQUE : L'apparence de l'adaptateur secteur peut varier en fonction du modèle et du pays ou de la région d'achat.



REMARQUE :

Pour plus de détails sur l'adaptateur, consultez les informations suivantes :

Adaptateur secteur 90W

- Tension d'entrée : 100-240Vca
- Fréquence d'entrée : 50-60Hz
- Courant de sortie nominal : 4,62V (90W) / 19,5V

Adaptateur secteur 120W

- Tension d'entrée : 100-240Vca
 - Fréquence d'entrée : 50-60Hz
 - Courant de sortie nominal : 6A (120W) / 20V 6,32A (120W) / 19V
-

Connecter un périphérique d'affichage au mini PC

Vous pouvez connecter le mini PC à un écran externe ou un vidéoprojecteur grâce au port suivant :

- Port HDMI®
 - Port VGA
 - DisplayPort
 - Port combiné USB Type-C® / Port DisplayPort / Prise d'alimentation (CC)
-

REMARQUE :

- Jusqu'à quatre écrans peuvent être connectés simultanément, selon les ports disponibles*.
- La prise en charge de la résolution 7680 x 4320 @60 Hz requiert la connexion à deux ports DisplayPort 1.4.
- L'utilisation de l'un des ports suivants en tant qu'unique sortie d'affichage permet d'atteindre la résolution maximale suivante** :
 - **Port HDMI®**
Prend en charge une résolution maximale de 4096 x 2160 @60Hz.
 - **Port VGA configurable**
Prend en charge une résolution maximale de 1920 x 1200 @60Hz.
 - **Port HDMI® configurable**
Prend en charge une résolution maximale de 7680 x 4320 @60Hz.
 - **Port DisplayPort configurable**
Prend en charge une résolution maximale de 5120 x 2160 @60Hz.

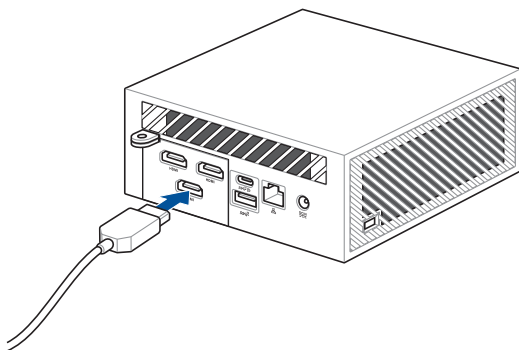
* Les ports peuvent varier en fonction du modèle. Veuillez consulter la section Caractéristiques matérielles pour localiser l'emplacement des différents ports.

** La résolution maximale peut être affectée par le câblage et le périphérique en sortie.

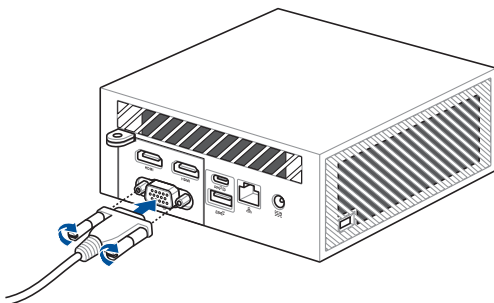
Pour connecter un périphérique d'affichage externe à votre mini PC :

Connectez une extrémité d'un câble HDMI®, VGA, DisplayPort ou USB Type-C® à un périphérique d'affichage externe et l'autre extrémité au port HDMI®, VGA, DisplayPort ou le port combiné USB Type-C® / DisplayPort / Prise d'alimentation (CC) de votre mini PC.

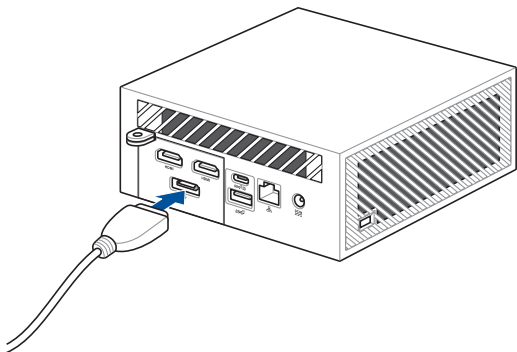
Connexion d'un câble HDMI®



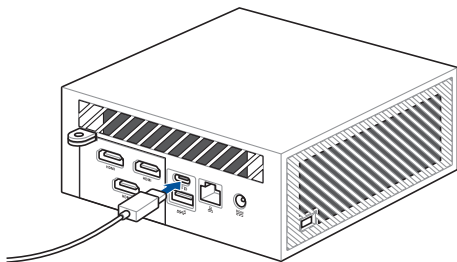
Connexion d'un câble VGA



Connexion d'un câble DisplayPort



Connecter un écran via le port combiné USB Type-C® / DisplayPort



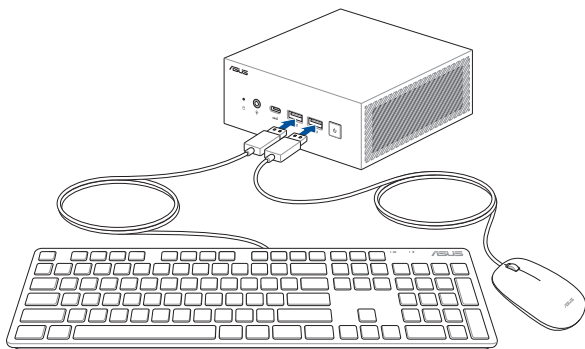
Connecter un clavier ou une souris USB

Le mini PC est compatible avec la plupart des souris et claviers USB. Vous pouvez également y connecter le dongle USB d'un clavier ou d'une souris sans fil.

Pour connecter un clavier ou une souris à votre mini PC :

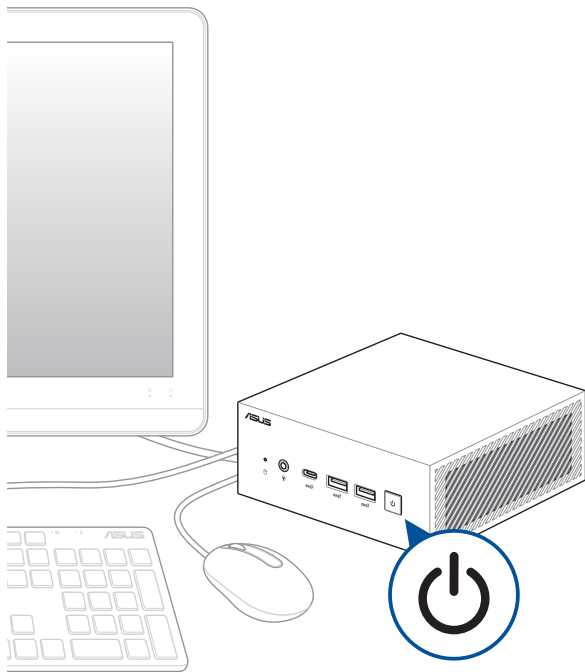
Connectez le câble USB de votre clavier ou souris à l'un des ports USB de votre mini PC.

REMARQUE : Le type de clavier peut varier en fonction du pays ou de la région d'achat.



Allumez votre mini PC

Appuyez sur le bouton d'alimentation pour allumer votre mini PC.



Éteindre le mini PC

Si le mini PC ne répond pas ou s'il se bloque, maintenez le bouton d'alimentation enfoncé pendant au moins quatre (4) secondes pour forcer le mini PC à s'éteindre.

Basculer le mini PC en mode veille

Pour basculer votre Mini PC en mode veille par une simple pression du bouton d'alimentation, recherchez **Panneau de configuration** dans le champ de recherche de Windows, puis rendez-vous dans **Matériel et audio > Options d'alimentation > Choisir l'action des boutons d'alimentation**, et configurez **Lorsque j'appuie sur le bouton Marche/Arrêt sur Veille**.

Accéder à l'interface de configuration du BIOS

Le BIOS (Basic Input and Output System) stocke divers paramètres matériels nécessaires au démarrage du système du mini PC.

De manière générale, les paramètres par défaut du BIOS conviennent à la plupart des utilisations de cette carte mère pour assurer des performances optimales. Il est recommandé de ne pas modifier les paramètres par défaut du BIOS sauf dans les cas suivants :

- Un message d'erreur apparaît au démarrage du système et requiert l'accès au BIOS.
- Un composant installé nécessite un réglage spécifique ou une mise à jour du BIOS.

AVERTISSEMENT ! Une mauvaise utilisation du BIOS peut entraîner une instabilité du système ou un échec de démarrage. Il est fortement recommandé de ne modifier les paramètres du BIOS qu'avec l'aide d'un technicien qualifié.

Charger les paramètres par défaut du BIOS

Pour charger les valeurs par défaut de chaque paramètre du BIOS :

1. Accédez au BIOS en appuyant sur <F2> ou <Suppr.> sur l'écran du POST.

REMARQUE : Le POST (Power-On Self Test) est une série de tests de diagnostic exécutés à chaque démarrage du mini PC.

2. Naviguez vers le menu **Exit** (Sortie).
3. Choisissez l'option **Load Optimized Defaults** (Charger les valeurs optimisées par défaut) ou appuyez sur la touche <F5>.
4. Sélectionnez **OK** pour charger les valeurs par défaut du BIOS.

3

Mise à niveau du mini PC

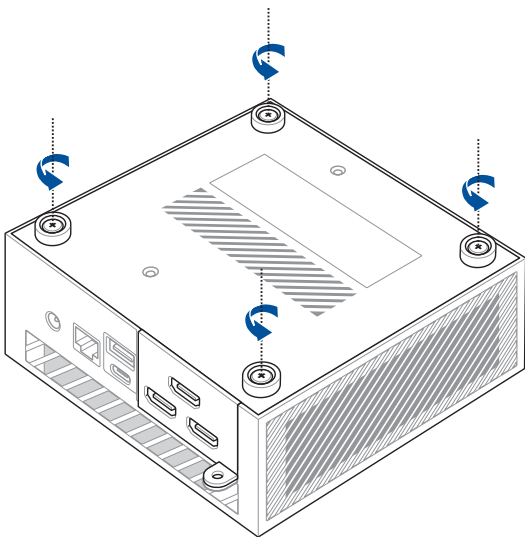
IMPORTANT !

- Achetez et faites installer les modules de mémoire, la carte WiFi et/ ou le SSD uniquement auprès d'un revendeur agréé pour assurer une fiabilité et une compatibilité optimales. Renseignez-vous auprès d'un centre agréé pour plus d'informations.
- Assurez-vous que vos mains sont sèches avant de procéder à l'installation de composants additionnels. Avant de procéder à l'installation, utilisez un bracelet antistatique ou touchez un objet métallique ou relié à la terre pour éviter d'endommager les modules de mémoire.

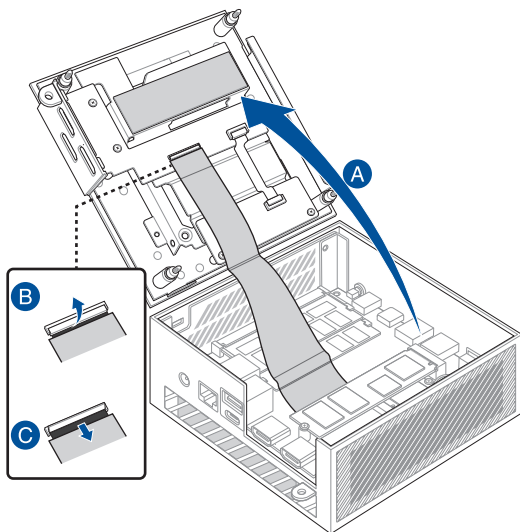
REMARQUE : Les illustrations de cette section sont fournies à titre indicatif uniquement. L'emplacement des différents éléments peut varier selon le modèle.

Retirer le couvercle inférieur

1. Éteignez votre mini PC et déconnectez tous les câbles et les périphériques.
2. Placez la face supérieure du mini PC sur une surface plane et stable.
3. Desserrez complètement les quatre (4) vis du couvercle inférieur.



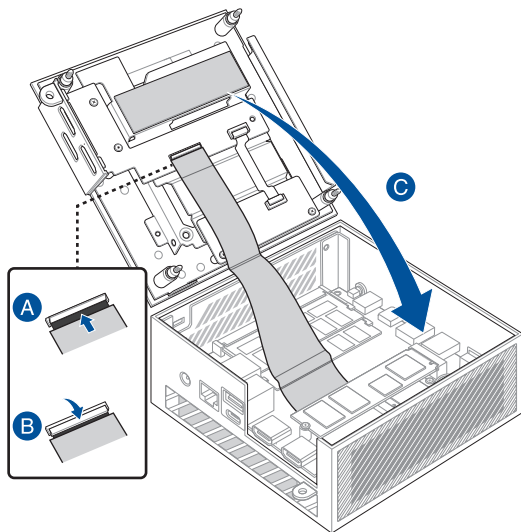
4. Soulevez délicatement le couvercle inférieur en respectant la direction indiquée sur l'illustration (A), puis ouvrez les rabats du connecteur (B) et retirez le câble (C).



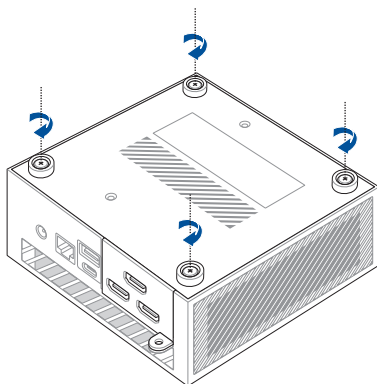
Replacer le couvercle inférieur

1. Insérez le câble dans les connecteurs (A), puis fermez les rabats pour fixer le câble (B). Fermez le capot inférieur (C).

IMPORTANT ! Assurez-vous que les contacts dorés du câble font face aux connecteurs.



2. Serrez les quatre (4) vis sur le capot inférieur pour le fixer.

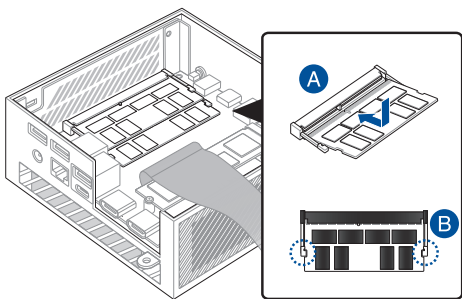


Installer des modules de mémoire

Votre mini PC est doté de deux interfaces de connexion SO-DIMM dédiées à l'installation de modules de mémoire DDR5.

IMPORTANT ! Rendez-vous sur le site <http://www.asus.com> pour consulter une liste des modules de mémoire compatibles. Seuls les modules de mémoire DDR5 SO-DIMM peuvent être installés dans le mini PC.

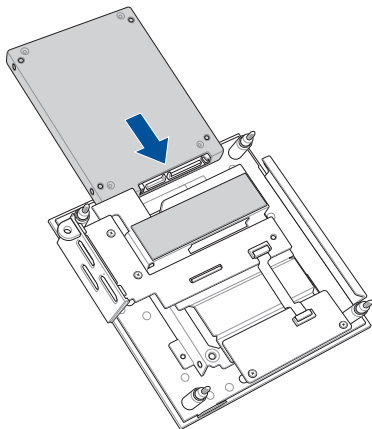
Alignez puis insérez le module de mémoire dans son interface de connexion (A). Appuyez sur le module de mémoire jusqu'à ce qu'il soit bien sécurisé dans son interface de connexion (B). Répétez les mêmes étapes pour installer un module de mémoire supplémentaire.



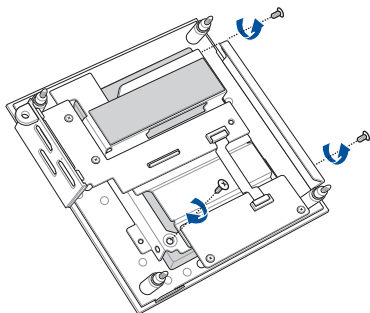
Installer un disque dur ou SSD 2,5"

1. Préparez votre disque dur ou lecteur SSD 2,5", puis alignez-le dans la baie de stockage située sur le couvercle inférieur de votre mini PC.
2. Insérez le disque dur ou SSD dans la baie de stockage.

IMPORTANT ! Cet appareil prend uniquement en charge les disques durs ou lecteurs SSD 2,5" 7 mm ou 9,5 mm.



3. Fixez le disque dur ou le SSD avec trois (3) vis.

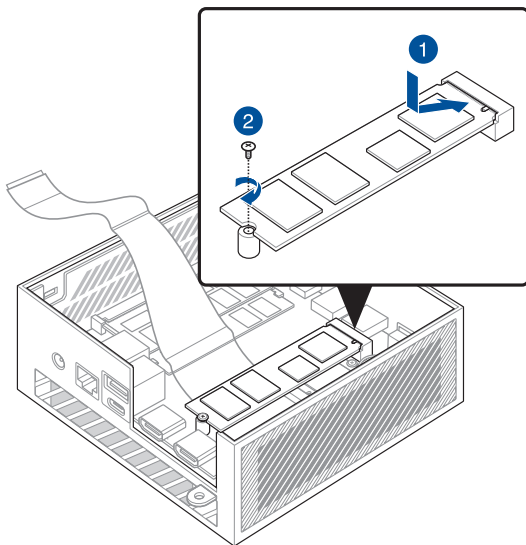


Installer un module M.2 SSD

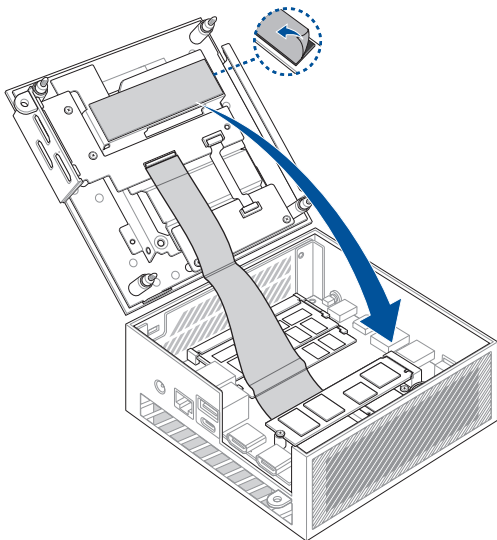
Votre mini PC possède un slot M.2 dans le châssis.

Pour installer un SSD M.2 dans le châssis

1. Alignez et insérez le module M.2 SSD 2280 dans le slot du mini PC.
2. Alignez le pas de vis du SSD M.2 2280 avec celui de l'emplacement dédié à son installation, puis fixez le tout à l'aide d'une des vis rondes de 3 mm fournies.



3. Avant de replacer le couvercle inférieur, assurez-vous de retirer le film plastique sur le pad thermique.



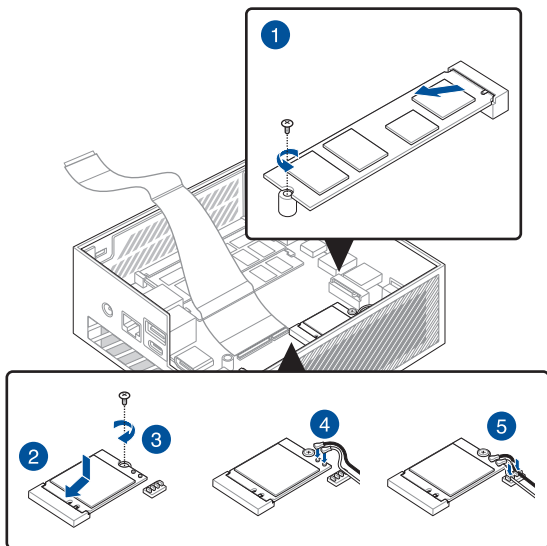
Installer une carte WiFi

REMARQUE : Votre mini PC intègre un slot M.2 dédié aux modules WiFi et Bluetooth 2230. Rendez-vous sur le site <http://www.asus.com> pour consulter la liste des modules WiFi et Bluetooth compatibles.

1. (optionnel) Si un SSD M.2 est installé, retirez-le. Pour retirer le SSD M.2, retirez la vis du pas de vis, puis retirez le SSD M.2.
 2. Aligned et insérez une carte WiFi dans le slot du mini PC.
 3. Aligned le pas de vis de la carte WiFi avec celui de l'emplacement dédié à son installation, puis fixez le tout à l'aide d'une vis.
 4. (optionnel) Connectez les antennes à votre carte WiFi.
 5. (optionnel) Organisez les câbles d'antenne à l'aide des supports de câbles.
-

REMARQUE :

- Connectez les antennes à votre carte WiFi peut améliorer la réception des signaux sans fil.
 - Un léger clic retentit pour indiquer que l'antenne est correctement connectée à la carte WiFi.
-



4

Module TPM

À propos du module TPM

Le système est livré avec deux (2) options TPM : le firmware TPM (fTPM) ou le module TPM dédié (dTPM). Le dTPM est une puce intégrée et la présence de cette puce peut varier d'un modèle à l'autre.

REMARQUE :

- Le fTPM est pris en charge par défaut, mais peut ne pas être activé. Pour plus d'informations sur l'activation du TPM, veuillez consulter www.asus.com/support.
- Le dTPM est optionnel et est disponible sur certains modèles uniquement

Vous pouvez utiliser les méthodes suivantes pour vérifier si votre système dispose d'une puce dTPM :

- Utiliser l'application Sécurité Windows
 - a. Rendez-vous **Démarrer > Paramètres > Mise à jour et sécurité > Sécurité Windows > Sécurité de l'appareil**.
 - b. Vérifiez la présence d'une section **Processeur de sécurité** sur cet écran. Si cette section est absente, il se peut qu'il n'y ait pas de puce dTPM sur ce modèle, ou que la puce dTPM soit désactivée.
- Utiliser la console de gestion Microsoft
 - a. Rendez-vous dans **Démarrer > Exécuter** ou appuyez sur **[Touche Windows] + R**.
 - b. Tapez **tpm.msc**, puis cliquez sur **OK**.
 - c. Si vous voyez un message confirmant que le TPM est prêt à être utilisé, cela signifie qu'une puce dTPM est disponible et activée. Si vous voyez un message indiquant "Impossible de trouver un module TPM compatible", il se peut qu'il n'y ait pas de puce dTPM sur ce modèle ou que la puce dTPM soit désactivée.

Pour plus d'informations sur le module TPM, veuillez consulter la FAQ sur : www.asus.com/support/.

Annexes

Consignes de sécurité

Votre mini PC a été conçu et testé pour satisfaire aux normes de sécurité les plus récentes en matière d'équipements informatiques. Toutefois, afin de garantir une utilisation sans risque de ce produit, il est important que vous respectiez les consignes de sécurité présentées dans ce manuel.



- Ne pas ingérer la batterie, risque de brûlure chimique.
- Ce produit contient une pile bouton. Si la pile bouton est avalée, elle peut provoquer de graves brûlures internes en seulement 2 heures et peut entraîner la mort.
- Tenez les piles neuves et usagées hors de portée des enfants.
- Si le compartiment des piles ne se ferme pas correctement, n'utiliser plus le produit et tenez-le hors de portée des enfants.
- Si vous pensez que les piles ont pu être avalées ou placées à l'intérieur d'une partie du corps, consultez immédiatement un médecin.

Avertissement sur les batteries Lithium-Ion

ATTENTION: Danger d'explosion si la batterie n'est pas correctement remplacée. Remplacer uniquement par une batterie de type identique ou équivalent, comme recommandé par le fabricant. Jetez les batteries usagées conformément aux instructions du fabricant.

PAS DE DÉMONTAGE

La garantie ne couvre pas les appareils ayant été désassemblés par les utilisateurs

Configurer le système

- Avant d'utiliser votre système, lisez et suivez les instructions de la documentation.
- N'utilisez pas ce produit à proximité de liquides ou d'une source de chaleur.
- Positionnez le système sur une surface stable.
- Les ouvertures situées sur le boîtier de l'appareil sont destinées à la ventilation. Veillez à ne pas les bloquer ou les recouvrir. Assurez-vous de laisser beaucoup d'espace autour du système de ventilation. N'insérez jamais d'objet dans les ouvertures de ventilation.
- Utilisez ce produit dans un environnement dont la température ambiante est comprise entre 0°C et 35°C.
- Si vous utilisez une rallonge, vérifiez que la somme des intensités nominales des équipements connectés à la rallonge ne dépasse pas celle supportée par cette dernière.
- Ce produit doit être branché à l'aide d'un câble d'alimentation sur une prise secteur reliée à la terre.
- Cet équipement doit être installé et utilisé avec un minimum de 20 cm de distance entre la source de rayonnement et votre corps.

Précautions à suivre lors de l'utilisation

- Ne marchez pas sur le cordon d'alimentation et ne posez rien dessus.
- Ne renversez pas d'eau ou d'autres liquides sur le système.
- Lorsque le système est éteint, une certaine quantité de courant résiduel continue de circuler dans le système. Débranchez systématiquement le câble d'alimentation de la prise murale avant de nettoyer le système.
- Déconnectez le système du secteur et demandez conseil à votre revendeur ou à un technicien qualifié si :
 - La prise ou le câble d'alimentation est endommagé.
 - Du liquide a été renversé sur le système.
 - Le système ne fonctionne pas correctement alors que les consignes ont été respectées.
 - Le système est tombé ou le boîtier est endommagé.
 - Les performances système s'altèrent.

- Évitez tout contact avec les composants chauds à l'intérieur du Mini PC. Pendant le fonctionnement, certains composants deviennent assez chauds pour brûler la peau. Avant de retirer le couvercle de l'ordinateur, éteignez-le, déconnectez le câble d'alimentation et attendez environ 30 minutes afin que les composants refroidissent.
- La mise au rebut de la batterie dans le feu ou un four chaud, ainsi que son découpage ou broyage mécanique, peuvent provoquer une explosion;
- Laisser la batterie dans un environnement extrêmement chaud peut provoquer une explosion ou une fuite de liquide/gaz inflammable;
- Une batterie soumise à une pression atmosphérique extrêmement faible peut provoquer une explosion ou une fuite de liquide/gaz inflammable.

Précautions d'emploi de l'appareil

- a. N'utilisez pas le produit ou soyez particulièrement vigilant quant à votre sécurité lors de l'utilisation de cet appareil dans certains lieux (les avions, les aéroports, les hôpitaux, les stations-service et les garages professionnels).
- b. Évitez d'utiliser cet appareil à proximité de dispositifs médicaux implantés lors d'un appel téléphonique. Si vous portez un implant électronique (stimulateurs cardiaques, pompes à insuline, neurostimulateurs...), veuillez impérativement respecter une distance minimale de 15 centimètres entre cet appareil et l'implant pour réduire les risques d'interférence.
- c. Utilisez cet appareil dans de bonnes conditions de réception pour minimiser le niveau de rayonnement. Ce n'est pas toujours le cas dans certaines zones ou situations, notamment les parkings souterrains, les ascenseurs, en train ou en voiture ou tout simplement dans un secteur mal couvert par le réseau.
- d. Tenez cet appareil à distance du ventre des femmes enceintes et du bas-ventre des adolescents.

Informations réglementaires

Notice relative au revêtement de l'appareil

IMPORTANT ! Pour maintenir le niveau de sécurité électrique et fournir une meilleure isolation, un revêtement a été appliqué pour isoler le châssis de cet appareil. Veuillez toutefois noter que les zones de l'appareil où se trouvent les différentes interfaces de connexion ne disposent pas de ce revêtement spécial.

Rapport de la Commission Fédérale des Communications (FCC)

Cet appareil est conforme à l'alinéa 15 des règles établies par la FCC. Son utilisation est sujette aux deux conditions suivantes :

- Cet appareil ne doit pas créer d'interférences nuisibles, et
- Cet appareil doit tolérer tout type d'interférences, y compris celles susceptibles de provoquer un fonctionnement non souhaité de l'appareil.

Cet appareil a été testé et déclaré conforme aux limites relatives aux appareils numériques de classe B, en accord avec la Section 15 de la réglementation de la Commission Fédérale des Communications (FCC). Ces limites sont conçues pour offrir une protection raisonnable contre les interférences nuisibles en installation résidentielle.

Cet appareil génère, utilise et peut émettre de l'énergie de radiofréquence et, s'il n'est pas installé et utilisé en accord avec les instructions du fabricant, peut créer des interférences nuisibles aux communications radio. Cependant, il n'y a pas de garantie que des interférences ne surviendront pas dans une installation particulière. Si cet appareil crée des interférences nuisibles à la réception de la radio ou de la télévision (il est possible de le déterminer en éteignant puis en rallumant l'appareil), l'utilisateur est encouragé à essayer de corriger les interférences par l'une ou plusieurs des mesures suivantes :

- Réorienter ou repositionner l'antenne de réception.
- Augmenter la distance de séparation entre l'appareil et le récepteur.
- Brancher l'appareil sur une prise secteur d'un circuit différent de celui auquel le récepteur est branché.
- Consulter le revendeur ou un technicien radio/TV qualifié pour obtenir de l'aide.

IMPORTANT ! L'utilisation de cet appareil en extérieur dans la bande de fréquence de 5,15 à 5,25 GHz est interdite. Cet appareil ne possède pas de capacités Ad-hoc pour les bandes 5250-5350 et 5470-5725 MHz.

ATTENTION ! Tout changement ou modification non expressément approuvé par le concessionnaire de cet appareil peut annuler le droit de l'utilisateur à faire fonctionner cet appareil.

Note sur l'exposition aux fréquences radio

Cet appareil doit être installé et utilisé en accord avec les instructions fournies et les antennes utilisées pour cet émetteur doivent être installées à au moins 20 cm de distance de toute personne et ne pas être situées près de ou utilisées conjointement avec une autre antenne ou un autre émetteur. Les instructions d'installation de l'antenne ainsi que les conditions de fonctionnement de l'émetteur doivent être fournies aux utilisateurs et aux installateurs pour satisfaire aux normes en matière d'exposition aux fréquences radio.

Déclaration d'ISED relative à l'exposition aux fréquences radio au Canada

Cet équipement a été testé et s'est avéré conforme aux limites établies par ISED en matière d'exposition aux radiations dans un environnement non contrôlé. Afin de rester en conformité avec ces exigences, évitez tout contact direct avec l'antenne pendant la transmission et suivez les instructions d'utilisation de ce manuel. Les utilisateurs finaux doivent suivre des instructions d'utilisation spécifiques pour satisfaire aux normes en matière d'exposition aux fréquences radio.

Son utilisation est sujette aux deux conditions suivantes :

- Cet appareil ne doit pas créer d'interférences, et
- Cet appareil doit tolérer tout type d'interférences, y compris celles susceptibles de provoquer un fonctionnement non souhaité de l'appareil.

Déclaration de conformité d'Innovation, Sciences et Développement économique du Canada (ISED)

Le présent appareil est conforme aux CNR d'Innovation, Sciences et Développement économique du Canada applicables aux appareils radio exempts de licence. Son utilisation est sujette aux deux conditions suivantes : (1) cet appareil ne doit pas créer d'interférences et (2) cet appareil doit tolérer tout type d'interférences, y compris celles susceptibles de provoquer un fonctionnement non souhaité de l'appareil.

CAN ICES-003(B)/NMB-003(B)

Avis de marque déposée HDMI®

Le terme HDMI® (High-Definition Multimedia Interface) et le logo HDMI® sont des marques commerciales ou marques déposées par HDMI® Licensing Administrator, Inc.

Canaux d'opération sans fil régionaux

Amérique du Nord	2,412-2,462 GHz	Canal 01 à canal 11
Japon	2,412-2,484 GHz	Canal 01 à canal 14
Europe ETSI	2,412-2,472 GHz	Canal 01 à canal 13

Déclaration de conformité aux normes environnementales

ASUS développe une conception écologique pour tous ses produits et s'assure que des standards élevés en terme de protection de l'environnement sont respectés tout au long du processus de fabrication. De plus, ASUS met à votre disposition des informations sur les différentes normes de respect de l'environnement.

Consultez le site <http://csr.asus.com/Compliance.htm> pour plus d'informations sur les normes auxquelles les produits ASUS sont conformes

UE REACH et Article 33

En accord avec le cadre réglementaire REACH (Enregistrement, Evaluation, Autorisation, et Restriction des produits chimiques), nous publions la liste des substances chimiques contenues dans nos produits sur le site ASUS REACH : <https://csr.asus.com/english/REACH.htm>

UE RoHS

Cet appareil est conforme à la directive UE RoHS. Pour plus de détails, consultez : <http://csr.asus.com/english/article.aspx?id=35>

Services de reprise et de recyclage

Les programmes de recyclage et de reprise d'ASUS découlent de nos exigences en terme de standards élevés de respect de l'environnement. Nous souhaitons apporter à nos clients des solutions permettant de recycler de manière responsable nos produits, batteries et autres composants ainsi que nos emballages. Veuillez consulter le site <http://csr.asus.com/english/Takeback.htm> pour plus de détails sur les conditions de recyclage en vigueur dans votre pays.

Directive Ecodesign

L'Union Européenne a publié un cadre d'application des exigences ecodesign pour les produits liés à l'énergie (2009/125/EC). La mise en place spécifique de mesures vise à l'amélioration de la performance environnementale de produits spécifiques ou de multiples types de produits. ASUS fournit les informations du produit sur le site CSR (Corporate Social Responsibility). Des informations supplémentaires sont disponibles à : <https://csr.asus.com/english/article.aspx?id=1555>.



Ne jetez PAS ce produit avec les déchets ménagers. Ce produit a été conçu pour permettre une réutilisation et un recyclage appropriés des pièces. Le symbole représentant une benne barrée d'une croix indique que le produit (équipement électrique, électronique et batterie contenant du mercure) ne doit pas être jeté avec les déchets ménagers. Vérifiez auprès de votre municipalité les dispositions locales en matière de mise au rebut des déchets électroniques.

Produits homologués EPEAT (Electronic Product Environmental Assessment Tool)

La diffusion publique des informations environnementales essentielles pour les produits ASUS homologués EPEAT est disponible à <https://csr.asus.com/english/article.aspx?id=41>. Plus d'informations sur le programme EPEAT et des conseils d'achat peuvent être trouvés à www.epeat.net.

Produit conforme à la norme ENERGY STAR



ENERGY STAR est un programme conjoint entre l'Agence pour la protection de l'environnement (EPA) et le département de l'Énergie (DOE) des États-Unis permettant de faire des économies d'argent tout en protégeant l'environnement par le biais de pratiques et de produits éco-énergétiques.

Tous les produits ASUS portant le logo ENERGY STAR sont conformes au standard ENERGY STAR et intègrent la fonctionnalité d'économie d'énergie activée par défaut. L'ordinateur et l'écran basculent automatiquement en mode veille lors d'une période d'inactivité de 10 à 30 minutes. Pour sortir l'ordinateur du mode veille, cliquez sur la souris ou appuyez sur une touche du clavier.

Veuillez consulter le site Web <http://www.energystar.gov/powermanagement> pour plus de détails sur la gestion d'énergie et ses avantages pour la protection de l'environnement. Vous pouvez également consulter le site <http://www.energystar.gov> pour plus d'informations sur le programme ENERGY STAR.

REMARQUE : La norme ENERGY STAR n'est PAS compatible avec les modèles fonctionnant sous Freedos ou Linux.

Déclaration simplifiée de conformité de l'UE

ASUSTeK COMPUTER INC. déclare par la présente que cet appareil est conforme aux critères essentiels et autres clauses pertinentes de la directive 2014/53/UE. La déclaration de conformité de l'UE peut être téléchargée à partir du site internet suivant : <https://www.asus.com/fr/support/>.

Dans la plage de fréquence 5150-5350 MHz, le Wi-Fi est restreint à une utilisation en intérieur dans les pays listés dans le tableau ci-dessous :

- a. Pour les appareils Wi-Fi 6E LPI (Low Power Indoor) :
L'appareil est limité à une utilisation en intérieur uniquement lorsqu'il fonctionne dans la plage de fréquences 5945-6425MHz en Belgique (BE), Bulgarie (BG), Chypre (CY), République tchèque (CZ), Estonie (EE), France (FR), Islande (IS), Irlande (IE), Lituanie (LT), Allemagne (DE), Pays-Bas (NL), Espagne (ES).
- b. Pour les appareils portables Wi-Fi 6E VLP (Very Low Power) :
L'appareil n'est pas autorisé à être utilisé sur des systèmes d'aéronefs sans pilote (UAS) lorsqu'il fonctionne dans la plage de fréquences 5945-6425MHz en Belgique (BE), en Bulgarie (BG), Chypre (CY), République tchèque (CZ), Estonie (EE), France (FR), Islande (IS), Irlande (IE), Lituanie (LT), Allemagne (DE), Pays-Bas (NL), Espagne (ES).

AT	BE	BG	CZ	DK	EE	FR
DE	IS	IE	IT	EL	ES	CY
LV	LI	LT	LU	HU	MT	NL
NO	PL	PT	RO	SI	SK	TR
FI	SE	CH	HR	UK(NI)		



Service et assistance

Visitez notre site multilingue d'assistance en ligne sur :

<https://www.asus.com/fr/support/>.

