

EBS-A700

Desktop/Wallmount Chassis

Features

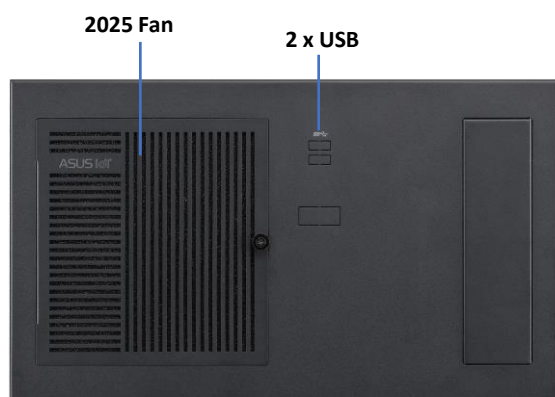
- Compatible with Micro ATX and ATX motherboard size up to 12" x 9.6"
- Support 2 x 3.5" HDD drive bays, 1 x 2.5" SSD bay, 1 x 5.25" CD-ROM bay
- Supplied with 1 x 2025 fan with air filter + 2 x 5010 fan
- Bidirectional option for vertical or horizontal placement
- With rich rear I/O interface and 7 full height PCIE expansion slots
- Two front USB port
- Thumb-screw for top cover easy opening



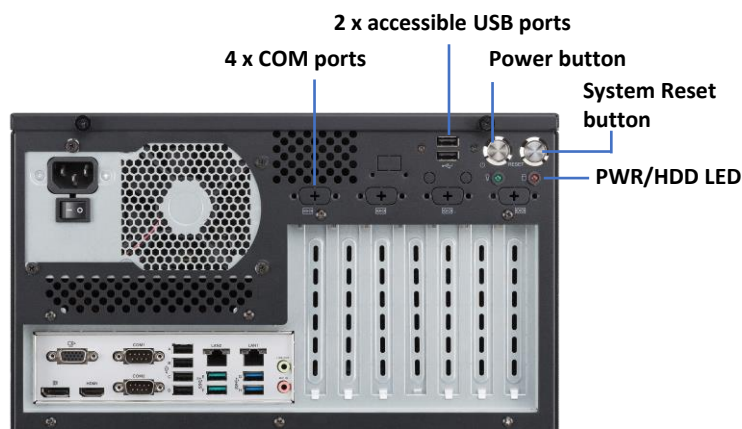
Specifications

Drive Bay	Storage	2 x 3.5" HDD drive bay, 1 x 2.5" SSD drive bay, 1 x 5.25"CD-ROM
Cooling	Chassis Fan	1 x 2025 Fan with Air Filter + 2 x 5010 Fan
Front I/O Interface	USB	2
Rear I/O Interface	LED Indicators	Power, HDD
	Control	Power Button, System Reset Button
	COM	4
	Accessible USB	2
Environment	Expansion Slot	7 x Full Height
	Operating Temperature	0~40°C
	Non-Operating Temperature	-15~60°C
Physical Characteristics	Relative Humidity	10~95%@40°C,non-condensing
	Steel plate thickness of chassis	1.2mm SGCC
	Dimension	445(L)x330(W)x196(H)mm
Certification	EMI & Safety	CE, FCC, CCC, UL, CB

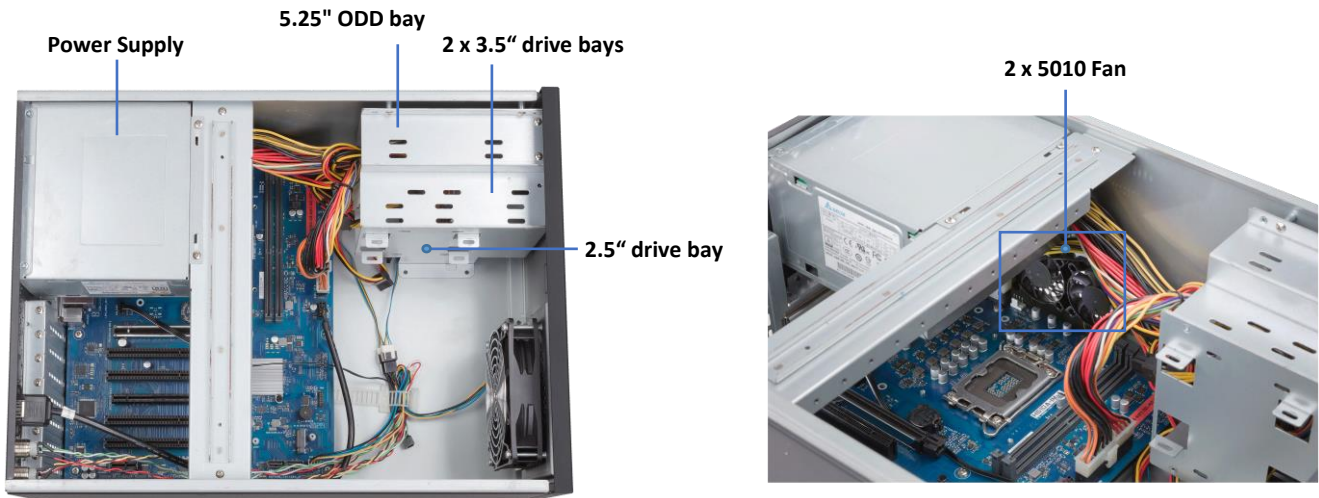
Front View



Inside View

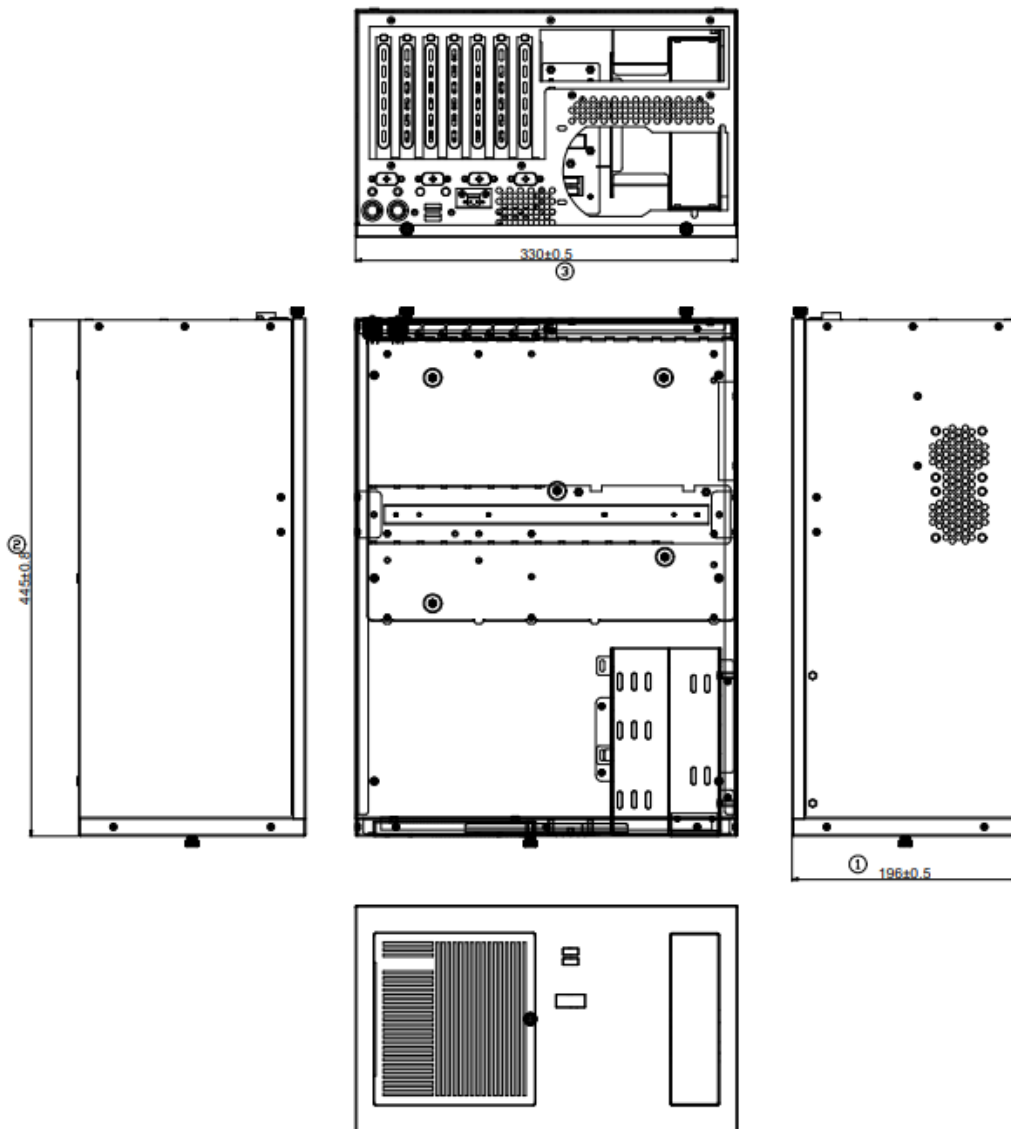


Inside View

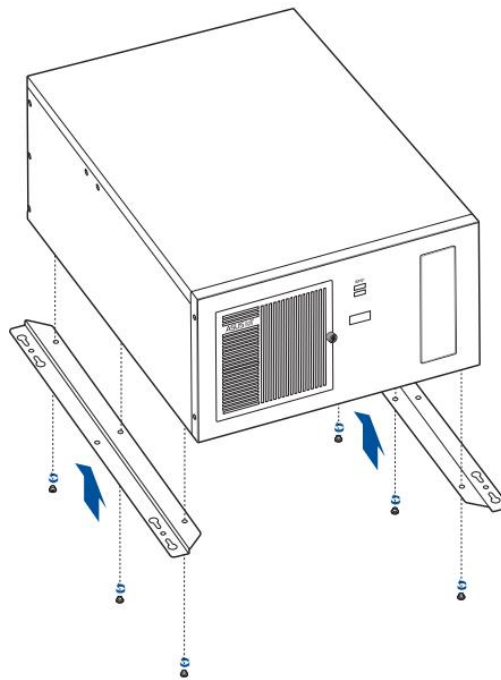


Dimensions

UNIT: mm



Installation



Ordering Information

Model Name	Part number	Compatible ATX/mATX MB	Power Supply
EBS-A700/H310A-EM-A	90AE01A2*	H310A-EM-A	ATX 300W Bronze
EBS-A700/H610A-IM-A	90AE01A1*	H610A-IM-A	ATX 300W Bronze
EBS-A700/H610A-IM-A	90AE01A1*	H610A-IM-A	ATX 500W GOLD
EBS-A700/H610M-IM-A	90AE01A1*	H610M-IM-A	ATX 500W GOLD
EBS-A700/H610A-IM-A	90AE01A1*	H610A-IM-A	W/O PSU

Packing List

Part Number	Description	Quantity
13020*	M.2 screw pack	1
14013*	SATA Cable	1
13AE0*	SYSTEM ACCESSORY	1