

# EBS-A710

Desktop/Wallmount Chassis

## Features

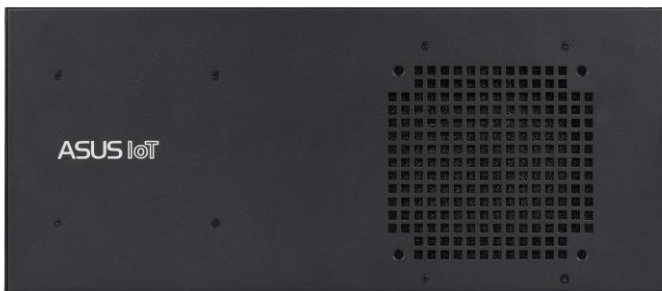
- Compatible with Micro ATX and ATX motherboard size up to 12" x 9.6"
- Support 1 x 3.5" HDD drive bay, 1 x 2.5" Slim HDD bay
- Supplied with 1 x 12025 fan with air filter
- Bidirectional option for vertical or horizontal placement
- With rich rear I/O interface and 7 full height PCIE expansion slots
- Thumb-screw for top cover easy opening



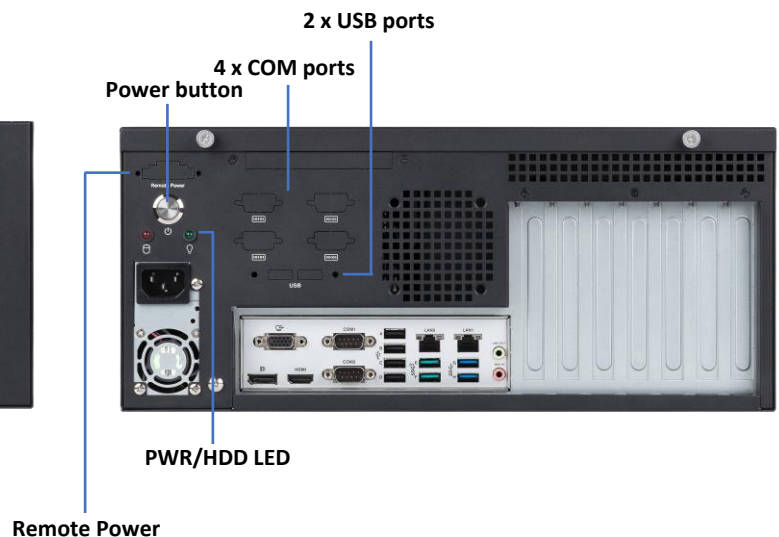
## Specifications

<b>Drive Bay</b>	Storage	1 x 3.5" HDD drive bay, 1 x 2.5" Slim HDD bay
<b>Cooling</b>	Chassis Fan	1 x 12025 Fan with Air Filter
<b>Rear I/O Interface</b>	LED Indicators	Power, HDD
	Control	Power Button
	COM	4
	USB	2
	Remote Power	1
<b>Environment</b>	Expansion Slot	7 x Full Height
	Operating Temperature	0~40°C
	Non-Operating Temperature	-15~60°C
<b>Physical Characteristics</b>	Relative Humidity	10~95%@40°C, non-condensing
	Steel plate thickness of chassis	1.2mm SGCC
	Dimension	316.5(L)x380(W)x164(H)mm
<b>Certification</b>	EMI & Safety	CE, FCC, CCC

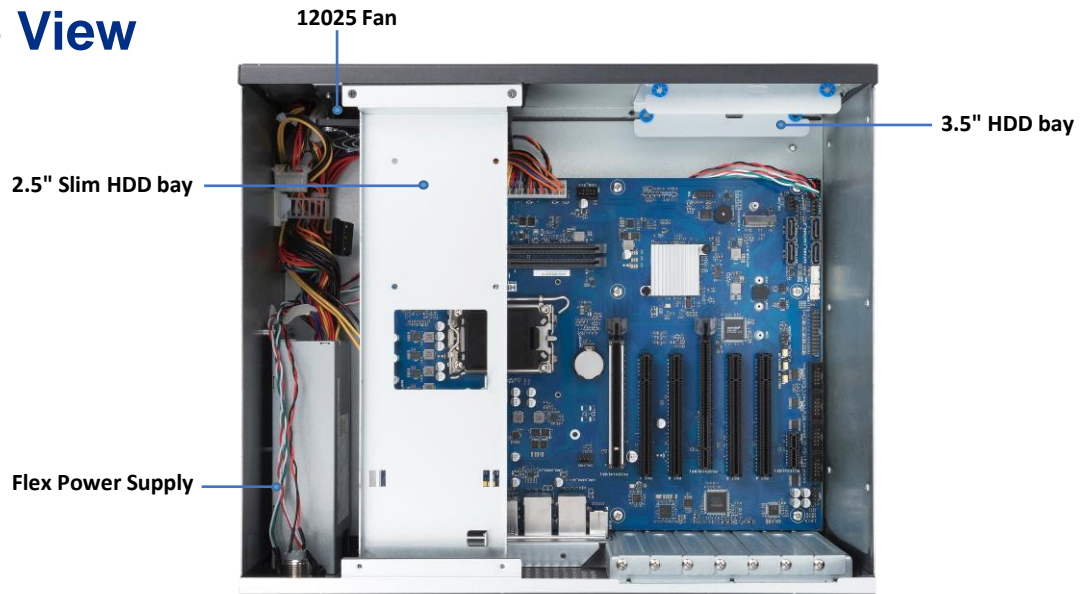
## Front View



## Inside View

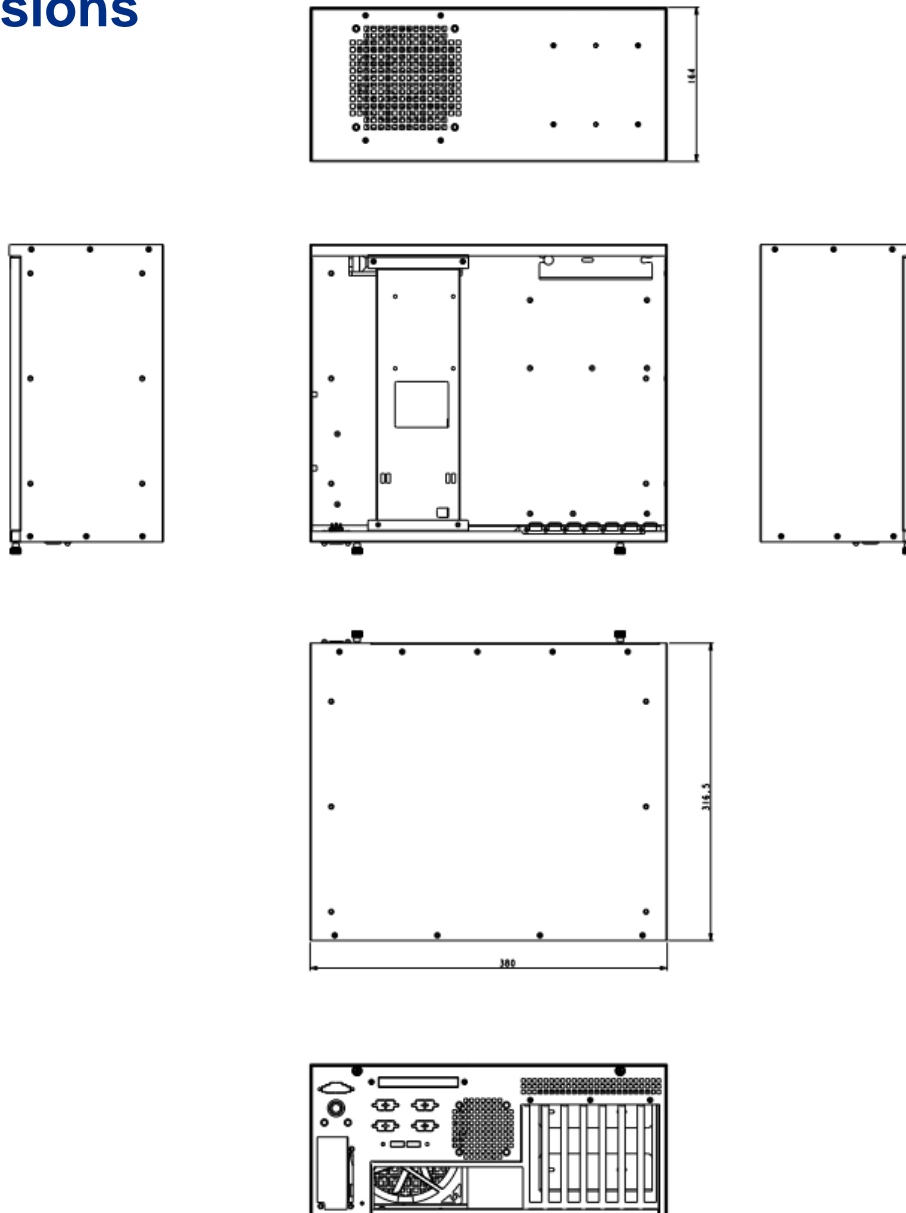


## Inside View

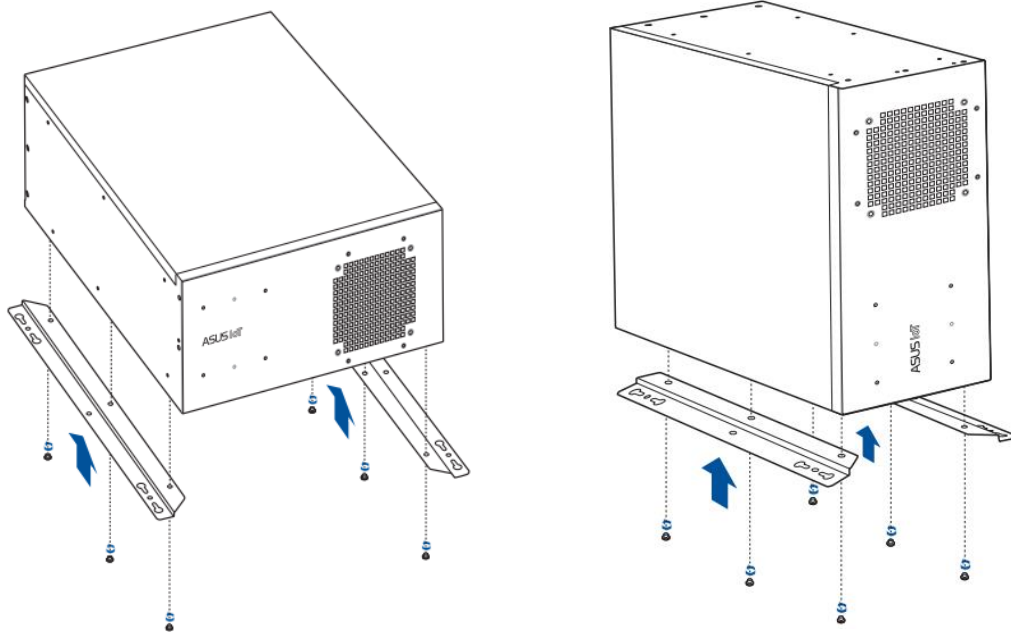


## Dimensions

UNIT: mm



## Installation



## Ordering Information

Model Name	Part number	Compatible ATX/mATX MB	Power Supply
EBS-A710/H110A-IM-AB	90AE01Q2*	H110A-IM-AB	250W FLEX PSU GOLD
EBS-A710/H310A-EM-A	90AE01Q2*	H310A-EM-A	250W FLEX PSU GOLD
EBS-A710/Q470A-EM-A	90AE01Q1*	Q470A-EM-A	250W FLEX PSU GOLD
EBS-A710/H610A-IM-A	90AE01Q3*	H610A-IM-A	250W FLEX PSU GOLD
EBS-A710/Q670EA-IM-A	90AE01Q3*	Q670EA-IM-A	250W FLEX PSU GOLD

## Packing List

Part Number	Description	Quantity
13020*	M.2 screw pack	1
14013*	SATA Cable	1
13AE0*	SYSTEM ACCESSORY	1

	EBS-A700	EBS-A710
尺寸	445(L)x330(W)x196(H)mm	316.5(L)x380(W)x164(H)mm
主機板	H610A-IM-A H610M-IM-A H310A-EM-A	H110A-IM-AB H310A-EM-A Q470A-EM-A H610A-IM-A Q670EA-IM-A
PSU	300W 500W	250W 350W
Storage空間	2 x 3.5" HDD 1 x 2.5" SSD 1 x 5.25"CD-ROM	1 x 3.5" HDD 1 x 2.5" Slim HDD bay
是否可裝顯卡?	OK	NO
機箱前面板接口	2*USB預留孔	N/A
機箱後面板接口	4*COM預留孔 2*USB2.0	4*COM預留孔 2*USB預留孔
7 PCIe Expansion Slot	Yes	Yes