

EBS-S100

Intel® 6-15W ADL-N, DDR5 SO-DIMM, DP, HDMI, Dual-LAN, Multiple COM, USB3.2, M.2, SATA 3.2, PCIE 3.0, TPM

Features

- Compact box and fanless design for industrial environment
- Cutting edge technologies DDR5, WiFi5/WiFi6
- Rich I/O and Expansion Capabilities 6 COM and 6 USB
- Standard operating temperature



Specifications

System	CPU	Intel® Processor N97	Intel® Processor N200	Intel® Core™ i3-N305		Intel®Atom® x7425E
	TDP	12W	6W	9W	15W	12W
	# of Cores	4	4	8		4
	Base Freq	2.0 GHz	1.0 GHz	0.9 GHz	1.8 GHz	1.5GHz
	Max Turbo Freq.	3.6 GHz	3.7 GHz	3.7 GHz		3.5 GHz
	Memory	1 x SO DIMM, DDR5 4800 MHz, supports up to 16GB				
External Interfaces	Display Port	1 x HDMI 2.0, supports up to 4K x 2K @ 60 Hz 1 x DP1.2 supports up to 4096 x 2304 @ 60 Hz				
	Ethernet	2 x 10/100/1000 Mbps, RJ45 (2 x Intel i210AT (1Gb))				
	USB	4 x USB 3.2 Gen 2, type A 2 x USB 2.0, type A				
	Audio	1 x Mic-in, phone jack 1 x Line-out, phone jack/ Headphone out				
	COM (default)	4 x COM: RS-232 2 x COM: RS-232/422/485 COM5/COM 6 support CANbus, COM 3 supports GPIO				
Storage	SATA	1 x SATA Gen 3.2 connector supports 2.5" SSD				
Expansion Slot	Mini PCIe	1 x Full-Length Mini PCIe slot with on-board Nano-SIM socket (support CANbus module, LTE)				
	M.2 E key	1 x M.2 2230 E key socket (USB2.0/CNVi mode/PCIe) supports TPU/ WiFi /BT module				
	M.2 M key	1 x M.2 2242/2280 M key socket (SATA) supports M.2 SSD up to 512GB				
	SIM	1 x nano-SIM slot (on-board)				
Power	Power	9 to 36V DC				
Mechanical	Mounting	Wall mount/VESA mount (optional)				
	Dimensions	186 x 135 x 62 (mm)				
	Weight	1.85 kg				
Security	TPM	Support PTT TPM v2.0 powered by Nuvoton NCPT 750 (Optional)				
System	OS	Windows 10 IoT Enterprise/Ubuntu core				
	Watchdog Timer	Yes				
Environment	Operating Temp.	0~ 40°C				
	Relative Humidity	10 to 95% (non-condensing)				
	EMC	CE (ITE), FCC ,VCCI, BSMI, RCM				
	Safety	CB, UL, CE-LVD, CCC, BSMI				
	Green	GA (RoHS)				

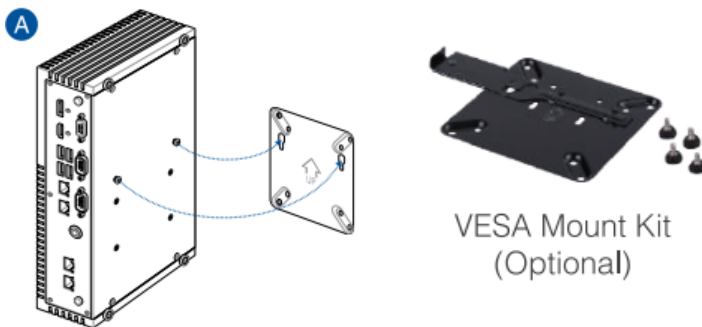
Front I/O



Rear I/O



VESA Mount



Wall Mount

