

PE2000U

Intel® 12th Gen Core™ i7/i5/i3 Processor, DDR5 4800MHz, DP, HDMI, Dual-LAN, Multiple COM, 9-36V DC

Features

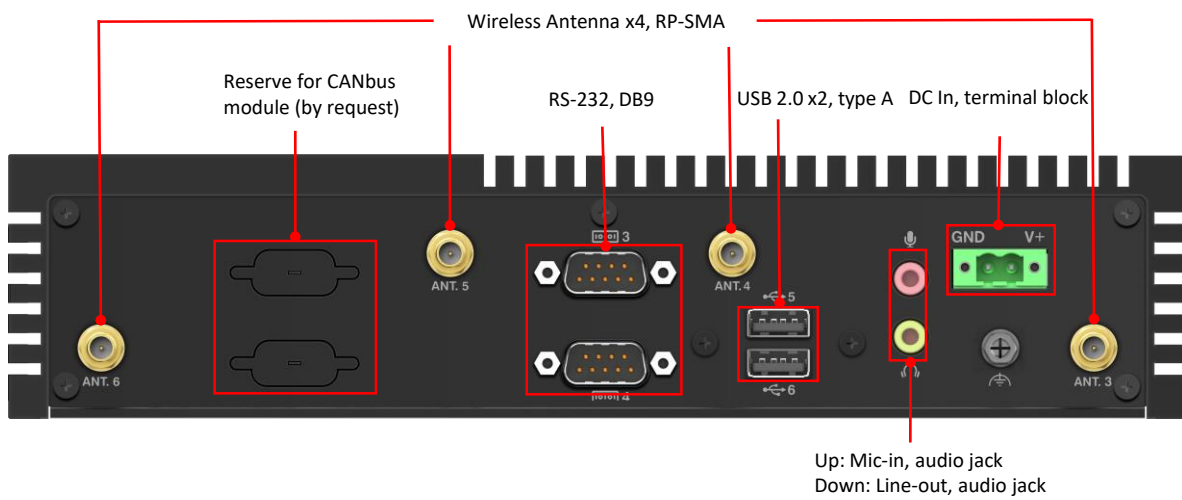
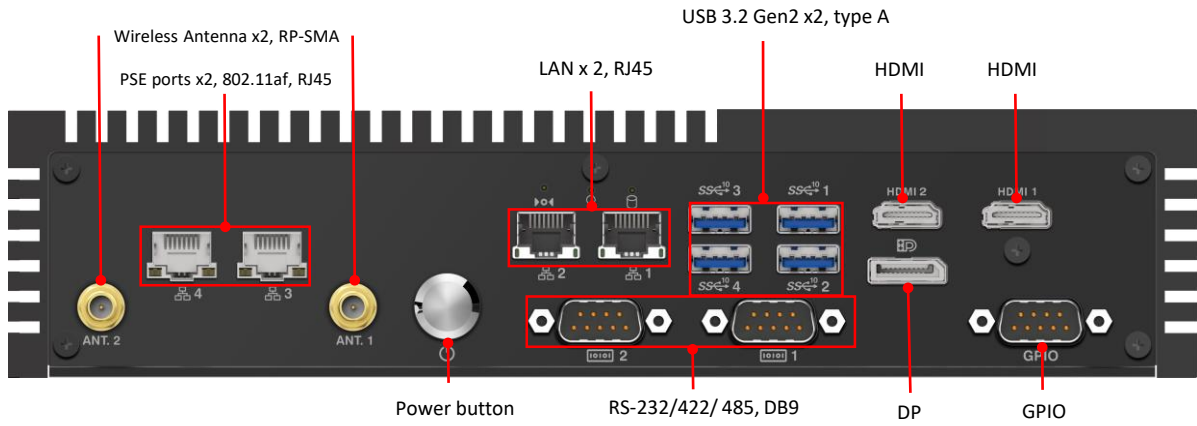
- Supports 2 x RS-232/422/485, 2 x RS-232
- Supports triple independent video outputs
- Rich expansion capacity including PoE, LAN, CANbus module
- Wide Operating Temperature Range: -20~60°C



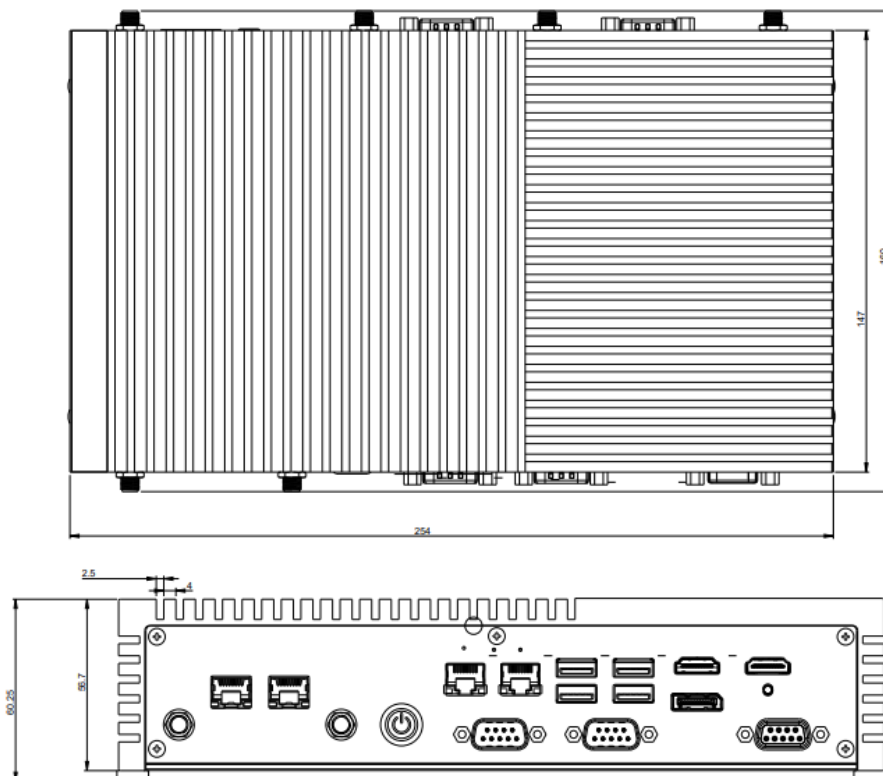
Specifications

System	CPU	Intel® Core™ i7-1265UE	Intel® Core™ i5-1245UE	Intel® Core™ i3-1215UE
	TDP	15W	15W	15W
	# of Cores	10	10	6
	Memory	2 x SO-DIMM, DDR5 4800 MHz, supports up to 64GB		
External Interfaces	Display	2 x HDMI 2.0 1 x DP 1.2		
	Ethernet	1x 1Gbps/100Mbps/10Mbps GbE port, RJ45 (Intel i219-LM) 1x 2.5Gbps/1Gbps/100Mbps/10Mbps GbE port, RJ45 (Intel i225-V)		
	USB	4x USB 3.2 Gen 2, type-A 2x USB 2.0, type-A		
	Audio	1 x Mic-in, phone jack 1 x Line-out, phone jack		
	COM	2 x COM: RS-232/422/485, DB9 2 x COM: RS232, DB9		
	GPIO	1 x 8bit GPIO, DB9 (Female)		
Storage	SATA	1 x SATA 6G connector supports 2.5" SSD		
Expansion Slot	Mini PCIe	1 x Mini PCIe socket (PCIe / USB 2.0 mode)		
	M.2 M Key	1 x M.2 2280 M-key socket (PCIe Gen4 x4/ SATA) for NVMe SSD		
	M.2 E Key	1 x M.2 2230 E-key socket (USB2.0/ CNVi mode/ 2x PCIe x1) (supports TPU/WiFi/BT module)		
	SIM	1 x external accessible nano-SIM slot		
Power	Power input	9 to 36 V DC, 2-pin terminal block		
Mechanical	Mounting	Wall-mount/ Din Rail/ VESA mount		
	Dimensions	254 (H) x 147 (W) x 57 (D) mm		
	Weight	2.45 kg		
Environment	Operating Temp.	-20~60°C with wide temperature parts, fanless		
	Storage Temp.	-40~85°C		
	Relative Humidity	10 to 95% (non-condensing)		
	EMC	CE (ITE), FCC , VCCI, BSMI, RCM		
	Safety	UL,CB, CCC, BSMI, CE		
	Vibration	Operating, MIL-STD-810H, Method 514.8, Category 4; and 5 Grms, 5-500 Hz, 3 Axes		
	Shock	Operating, MIL-STD-810H, Method 516.8, Procedure I, Table 516.6-II; 50 Grms		
Green	GA (RoHS)			
Security	TPM	TPM v2.0 powered by Nuvoton NCPT 750 (Optional)		
Others	Watch dog timer	Yes.		
	Operating System	Windows® 10 IoT Enterprise		

Appearance



Dimension (mm)



Ordering Information

90 P/N	CPU	SO-DIMM	2.5" SATA	TPM built-in	LAN	PoE	Serial port	USB	mPCIe	M.2 2230 E-key	M.2 2280 M-key	Power	Operating temp
PE2000U_Entry	Intel® Core™ i3/i5/i7	2	1	optional	2	--	4	4	1 ¹	1 ²	1 ³	9-36V	-20~60°C / 0~40°C
PE2000U_LAN FULL	Intel® Core™ i3/i5/i7	2	1	optional	4	--	4	4	1 ¹	1 ²	1 ³	9-36V	-20~60°C / 0~40°C
PE2000U_FULL	Intel® Core™ i3/i5/i7	2	1	optional	2	2	4	4	1 ¹	1 ²	1 ³	9-36V	-20~60°C / 0~40°C

- The part number might vary for different regulations and package. Please consult the local sales representative for the exact 90PN.
- Please check with your importer or integrator for system level certification.

- LTE/ TPU
- Wi-Fi/ TPU
- M.2 SSD

Packing list

Description	Qty
Power terminal block to power jack adaptor, 10cm	1
PE2000U Wall mount bracket	2
SATA 22P to SATA 7P+4P 15+12CM	1
2.5HDD screw pack	1

Optional Accessories (purchased separately)

Part Number	Description
ADAPTER	
	Power adapter, 90W 12V, input voltage 100 to 240VAC, output voltage 12VDC with 2A DC load, 0 to 40°C operating temperature
	Power adapter, 120W 20V, input voltage 100 to 240VAC, output voltage 20VDC with 2A DC load, 0 to 40°C operating temperature
POWER CORD	
	Power cord with United States (US) plug
	Power cord with Europe (EU) plug
	Power cord with China (CN) plug
	Power cord with Japan (JP) plug
	Power cord with Australia (AU) plug
	Power cord with United Kingdom (UK) plug
	Power cord with Korea (KR) plug
	Power cord with Swiss (CH) plug
	Power cord with Taiwan (TW) plug
	Power cord with Thailand (TH) plug
WIRELESS EXTENSION CABLE	
	External wireless extension cable, RP-SMA to RP-SMA, 60cm
4G LTE ANTENNA	
	Omni-directional rubber duck GPRS/EDGE/UMTS/HSPA/LTE antenna, 704 to 960MHz & 1710 to 2690MHz, 3.5 dBi, RP-SMA, antenna length 10cm
WI-FI ANTENNA	
	Omni-directional rubber duck Wi-Fi antenna, 2.4/5GHz, 2dBi, RP-SMA, antenna length 8.6cm