



REPUBLIC OF  
GAMERS

# ROG SWIFT PG43UR

USER MANUAL

ASUS

# Table of contents

- Notices ..... iii
- Safety information ..... iv
- Care & Cleaning ..... vi
- 1.1 Welcome ..... 1-1
- 1.2 Package contents..... 1-1
- 1.3 Remote Control ..... 1-2
- 1.4 Assembling the monitor ..... 1-4
- 1.5 Connect cables..... 1-7
  - 1.5.1 Rear of the LCD monitor ..... 1-7
- 1.6 Monitor introduction ..... 1-8
  - 1.6.1 Using the Controls button ..... 1-8
- 2.1 Adjusting the monitor ..... 2-1
- 2.2 Outline dimension ..... 2-2
  - 2.3 Detaching the arm/stand (for VESA wall mount) ..... 2-3
- 3.1 OSD (On-Screen Display) menu ..... 3-1
  - 3.1.1 How to reconfigure ..... 3-1
  - 3.1.2 OSD Function Introduction..... 3-2
- 3.2 Aura ..... 3-11
- 3.4 Specifications..... 3-12
- 3.5 Troubleshooting (FAQ)..... 3-13
- 3.6 Supported Timing List..... 3-15

Copyright © 2019 ASUSTeK COMPUTER INC. All Rights Reserved.

No part of this manual, including the products and software described in it, may be reproduced, transmitted, transcribed, stored in a retrieval system, or translated into any language in any form or by any means, except documentation kept by the purchaser for backup purposes, without the express written permission of ASUSTeK COMPUTER INC. ("ASUS").

Product warranty or service will not be extended if: (1) the product is repaired, modified or altered, unless such repair, modification or alteration is authorized in writing by ASUS; or (2) the serial number of the product is defaced or missing.

ASUS PROVIDES THIS MANUAL "AS IS" WITHOUT WARRANTY OF ANY KIND, EITHER EXPRESS OR IMPLIED, INCLUDING BUT NOT LIMITED TO THE IMPLIED WARRANTIES OR CONDITIONS OF MERCHANTABILITY OR FITNESS FOR A PARTICULAR PURPOSE. IN NO EVENT SHALL ASUS, ITS DIRECTORS, OFFICERS, EMPLOYEES OR AGENTS BE LIABLE FOR ANY INDIRECT, SPECIAL, INCIDENTAL, OR CONSEQUENTIAL DAMAGES (INCLUDING DAMAGES FOR LOSS OF PROFITS, LOSS OF BUSINESS, LOSS OF USE OR DATA, INTERRUPTION OF BUSINESS AND THE LIKE), EVEN IF ASUS HAS BEEN ADVISED OF THE POSSIBILITY OF SUCH DAMAGES ARISING FROM ANY DEFECT OR ERROR IN THIS MANUAL OR PRODUCT.

SPECIFICATIONS AND INFORMATION CONTAINED IN THIS MANUAL ARE FURNISHED FOR INFORMATIONAL USE ONLY, AND ARE SUBJECT TO CHANGE AT ANY TIME WITHOUT NOTICE, AND SHOULD NOT BE CONSTRUED AS A COMMITMENT BY ASUS. ASUS ASSUMES NO RESPONSIBILITY OR LIABILITY FOR ANY ERRORS OR INACCURACIES THAT MAY APPEAR IN THIS MANUAL, INCLUDING THE PRODUCTS AND SOFTWARE DESCRIBED IN IT.

Products and corporate names appearing in this manual may or may not be registered trademarks or copyrights of their respective companies, and are used only for identification or explanation and to the owners' benefit, without intent to infringe.

# Notices

## Federal Communications Commission Statement

This device complies with Part 15 of the FCC Rules. Operation is subject to the following two conditions:

- This device may not cause harmful interference.
- This device must accept any interference received including interference that may cause undesired operation.

This equipment has been tested and found to comply with the limits for a Class B digital device, pursuant to Part 15 of the FCC Rules. These limits are designed to provide reasonable protection against harmful interference in a residential installation. This equipment generates, uses and can radiate radio frequency energy and, if not installed and used in accordance with the instructions, may cause harmful interference to radio communications. However, there is no guarantee that interference will not occur in a particular installation. If this equipment does cause harmful interference to radio or television reception, which can be determined by turning the equipment off and on, the user is encouraged to try to correct the interference by one or more of the following measures:

- Reorient or relocate the receiving antenna.
- Increase the separation between the equipment and receiver.
- Connect the equipment to an outlet on a circuit different from that to which the receiver is connected.
- Consult the dealer or an experienced radio/TV technician for help.



---

The use of shielded cables for connection of the monitor to the graphics card is required to assure compliance with FCC regulations. Changes or modifications to this unit not expressly approved by the party responsible for compliance could void the user's authority to operate this equipment.

---

## Canadian Department of Communications Statement

This digital apparatus does not exceed the Class B limits for radio noise emissions from digital apparatus set out in the Radio Interference Regulations of the Canadian Department of Communications.

This class B digital apparatus complies with Canadian ICES-003.

This Class B digital apparatus meets all requirements of the Canadian Interference-Causing Equipment Regulations.

Cet appareil numérique de la classe B respecte toutes les exigences du Règlement sur le matériel brouiller du Canada.

## Safety information

- Before setting up the monitor, carefully read all the documentation that came with the package.
- To prevent fire or shock hazard, never expose the monitor to rain or moisture.
- Never try to open the monitor cabinet. The dangerous high voltages inside the monitor may result in serious physical injury.
- If the power supply is broken, do not try to fix it by yourself. Contact a qualified service technician or your retailer.
- Before using the product, make sure all cables are correctly connected and the power cables are not damaged. If you detect any damage, contact your dealer immediately.
- Slots and openings on the back or top of the cabinet are provided for ventilation. Do not block these slots. Never place this product near or over a radiator or heat source unless proper ventilation is provided.
- The monitor should be operated only from the type of power source indicated on the label. If you are not sure of the type of power supply to your home, consult your dealer or local power company.
- Use the appropriate power plug which complies with your local power standard.
- Do not overload power strips and extension cords. Overloading can result in fire or electric shock.
- Avoid dust, humidity, and temperature extremes. Do not place the monitor in any area where it may become wet. Place the monitor on a stable surface.
- Unplug the unit during a lightning storm or if it will not be used for a long period of time. This will protect the monitor from damage due to power surges.
- Never push objects or spill liquid of any kind into the slots on the monitor cabinet.
- To ensure satisfactory operation, use the monitor only with UL listed computers which have appropriate configured receptacles marked between 100 ~ 240V AC.
- The socket-outlet shall be installed near the equipment and shall be easily accessible
- If you encounter technical problems with the monitor, contact a qualified servicer.
- Provide an earthing connection before the mains plug is connected to the mains. And, when disconnecting the earthing connection, be sure to disconnect after pulling out the mains plug from the mains.

- Please use ADP-280BB B of DELTA adapter.

## **WARNING**

Usage of other than specified head- or earphones can result in hearing loss due to excessive sound pressures.

## **Restriction on Hazardous Substances statement (India)**

This product complies with the “India E-Waste (Management) Rules, 2016” and prohibits use of Lead, Mercury, Hexavalent Chromium, polybrominated biphenyls(PBBs) and polybrominated diphenyl ethers(PBDEs) in concentration exceeding 0.1% by weight in homogenous materials and 0.01% by weight in homogenous materials for cadmium, except of exemptions listed in Schedule 2 of the Rule.



# Care & Cleaning

- Before you lift or reposition your monitor, it is better to disconnect the cables and power cord. Follow the correct lifting techniques when positioning the monitor. When lifting or carrying the monitor, grasp the edges of the monitor. Do not lift the display by the stand or the cord.
- Cleaning. Turn your monitor off and unplug the power cord. Clean the monitor surface with a lint-free, non-abrasive cloth. Stubborn stains may be removed with a cloth dampened with mild cleaner.
- Avoid using a cleaner containing alcohol or acetone. Use a cleaner intended for use with the LCD. Never spray cleaner directly on the screen, as it may drip inside the monitor and cause an electric shock.



This symbol of the crossed out wheeled bin indicates that the product (electrical, electronic equipment, and mercury-containing button cell battery) should not be placed in municipal waste.

Please check local regulations for disposal of electronic products.

## AEEE yönetmeliğine uygundur

### The following symptoms are normal with the monitor:

- The screen may flicker during the initial use due to the nature of the fluorescent light. Turn off the Power Switch and turn it on again to make sure that the flicker disappears.
- You may find slightly uneven brightness on the screen depending on the desktop pattern you use.
- When the same image is displayed for hours, an afterimage of the previous screen may remain after switching the image. The screen will recover slowly or you can turn off the Power Switch for hours.
- When the screen becomes black or flashes, or cannot work anymore, contact your dealer or service center to fix it. Do not repair the screen by yourself!

### Conventions used in this guide



**WARNING:** Information to prevent injury to yourself when trying to complete a task.



**CAUTION:** Information to prevent damage to the components when trying to complete a task.



**IMPORTANT:** Information that you **MUST** follow to complete a task.



**NOTE:** Tips and additional information to aid in completing a task.

## **Where to find more information**

Refer to the following sources for additional information and for product and software updates.

### **1. ASUS websites**

The ASUS websites worldwide provide updated information on ASUS hardware and software products. Refer to **<http://www.asus.com>**

### **2. Optional documentation**

Your product package may include optional documentation that may have been added by your dealer. These documents are not part of the standard package.

## 1.1 Welcome

Thank you for purchasing the ASUS® LCD monitor!

The latest widescreen LCD monitor from ASUS provides a crisper, broader, and brighter display, plus a host of features that enhance your viewing experience.

With these features, you can enjoy the convenience and delightful visual experience that the monitor brings you!

## 1.2 Package contents

Check your package for the following items:

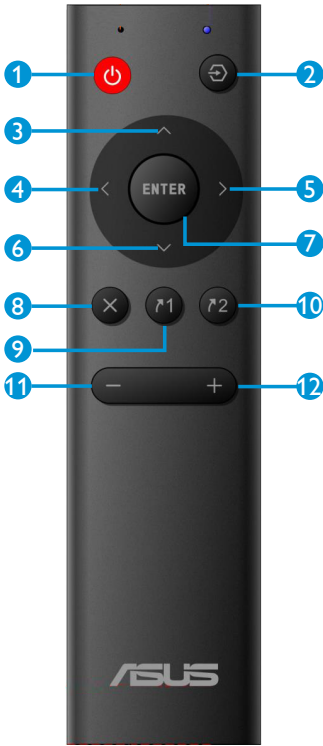
- ✓ LCD Monitor
- ✓ Quick Start Guide
- ✓ Warranty Card
- ✓ Thanks Card
- ✓ 1x Power Cord
- ✓ 1x HDMI Cable
- ✓ 1x DP Cable
- ✓ 1x Power Adapter
- ✓ 1x USB 3.0 Cable
- ✓ 1x Remote Control(with Battery)
- ✓ 1x Aura Sync ROG logo Projector



- 
- If any of the above items is damaged or missing, contact your retailer immediately.
-

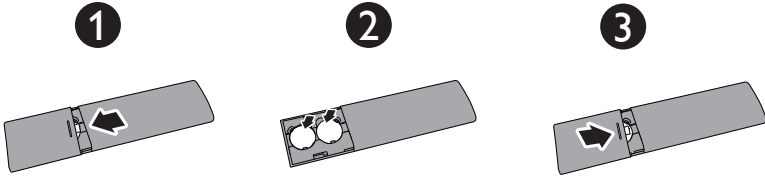


### 1.3 Remote Control



1		Press to switch power on and off.
2		Change the signal input source.
3		Adjust the OSD menu / Turn up the values.
4		Return to previous OSD level.
5		Access the OSD menu. Confirm the OSD adjustment.
6		Adjust the OSD menu / Turn down the values.
7		Confirm the OSD adjustment.
8		Exit the OSD menu.
9		Shortcut1
10		Shortcut2
11		Turn down the volume
12		Turn up the volume

## Install the remote control batteries



1. Press and then slide the cover to open it.
2. Align the batteries according to the (+) and (-) indications inside the case.
3. Replace the cover.



---

**CAUTION:** Incorrect usage of batteries can result in leaks or bursting.

---

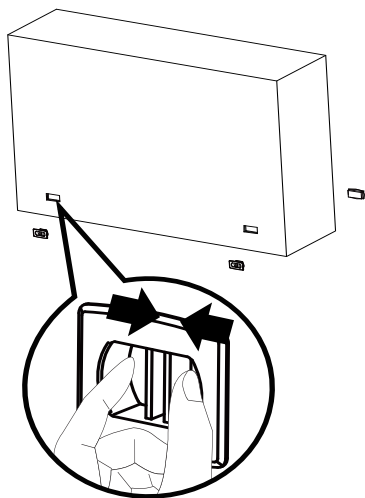


- If the unit uses batteries, please ensure that they are inserted correctly-observing the polarity (+/-).
  - Please make sure that used batteries are disposed of correctly. Do not burn or incinerate.
  - Do not expose the batteries(battery pack or batteries installed) to excessive heat such as sunshine, fire or the like.
-

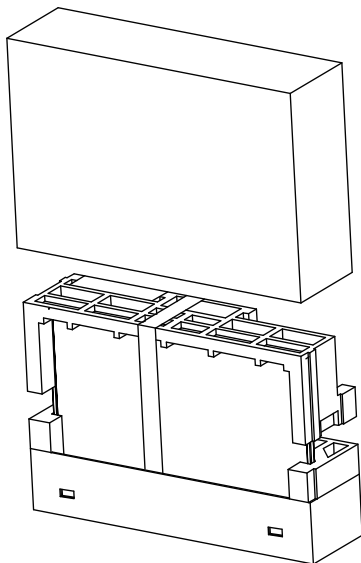
## 1.4 Assembling the monitor

### To assemble the monitor:

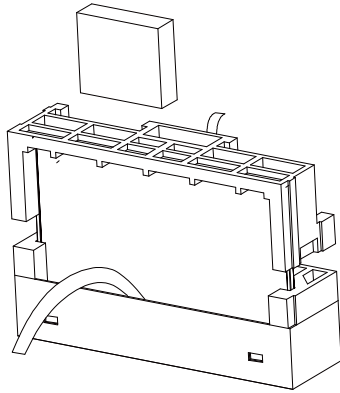
1. Take out four box handle from bottom of carton box.



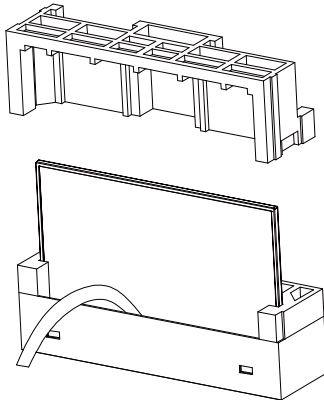
2. Take out upper carton box.



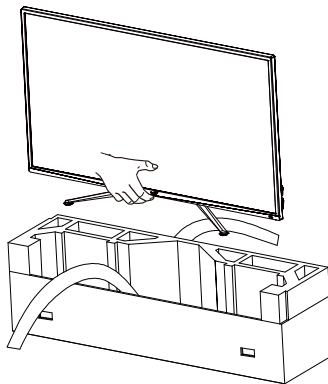
3. Take out accessory carton box from upper EPS.



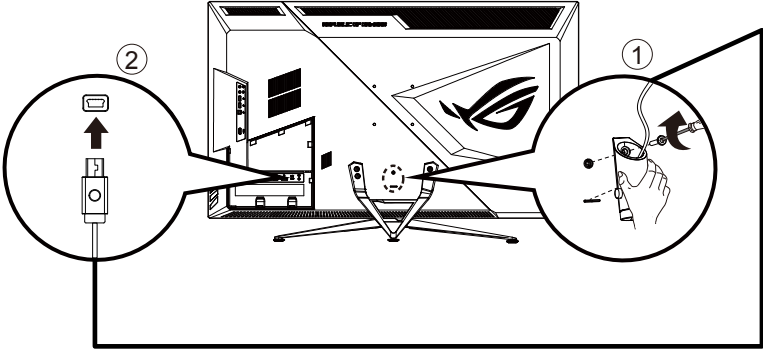
4. Take out upper EPS.



5. Take out monitor.

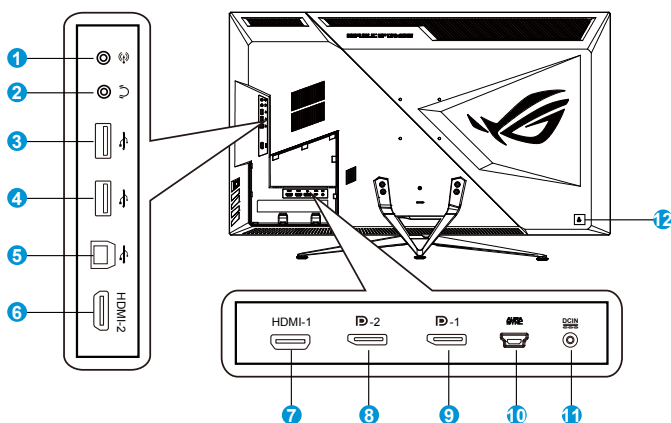


6. Use screwdriver to install AuraSync Projecter.



## 1.5 Connect cables

### 1.5.1 Rear of the LCD monitor

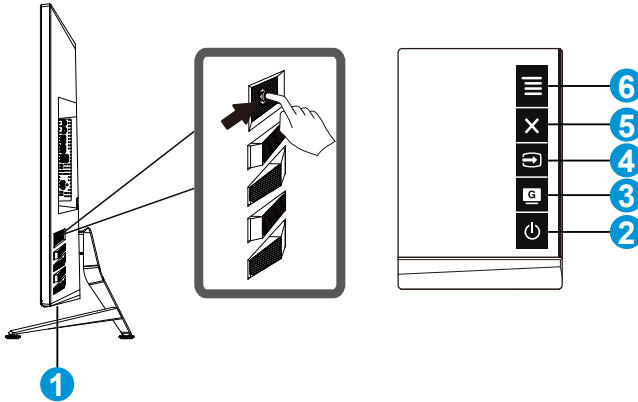


1. Audio in
2. Earphone Jack
3. USB Downstream Port (2.4A)
4. USB Downstream Port
5. USB Upstream Port
6. HDMI-2 Port
7. HDMI-1 Port
8. DisplayPort-2 Port
9. DisplayPort-1 Port
10. AURA SYNC Port
11. DC-IN Port
12. Kensington Lock

## 1.6 Monitor introduction

### 1.6.1 Using the Controls button

Use the control button on the back of the monitor to adjust the monitor settings.



1. Power Indicator:

- The color definition of the power indicator is as the below table.

Status	Description
White	ON
Amber	Standby mode
OFF	OFF

2.  Power Button:

- Press this button to turn the monitor on/off.

3.  GameVisual:

- This is a shortcut key. Default setting is GameVisual.

4.  Input Select:

- This is a shortcut key. Default setting is Input Select.

5.  Close Button:

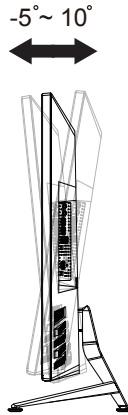
- Exit the OSD menu.

6.  Menu Button

- This is menu hotkey. Select it to open main menu OSD.

## 2.1 Adjusting the monitor

- For optimal viewing, we recommend that you look at the full face of the monitor, then adjust the monitor to the angle that is most comfortable for you.
- Hold the stand to prevent the monitor from falling when you change its angle.
- You can adjust the monitor's angle from  $-5^{\circ}$  to  $10^{\circ}$  .



---

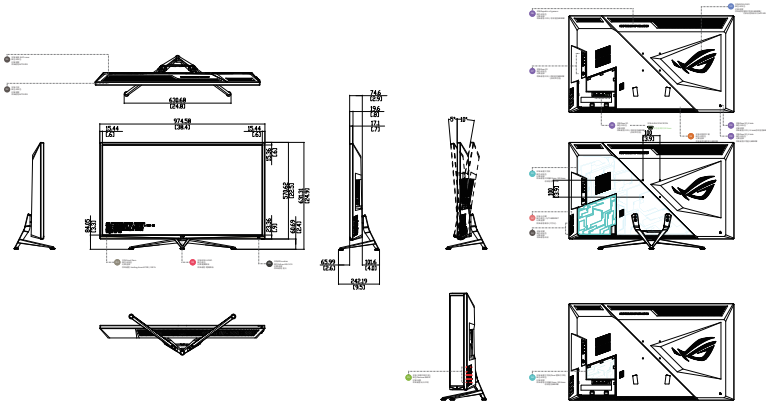
It is normal that the monitor slightly shakes while you adjust the viewing angle.

---



## 2.2 Outline dimension

Unit: mm [inch]

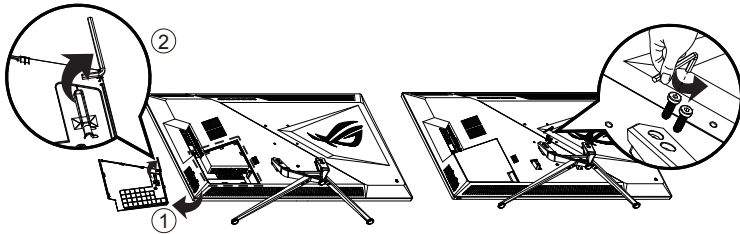


## 2.3 Detaching the arm/stand (for VESA wall mount)

The detachable stand of this monitor is specially designed for VESA wall mount.

### To detach the arm/stand

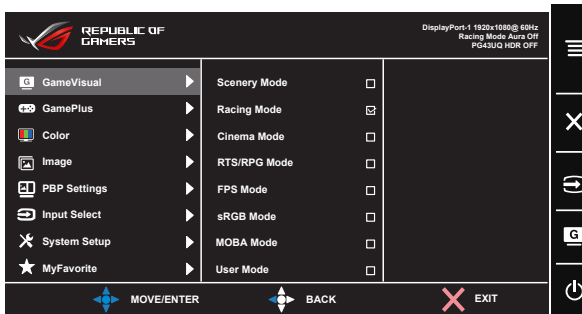
1. Disconnect power and signal cables.
2. Separate I/O cover from Rear Cover (1) and then take out screwdriver from I/O cover (2).
3. Remove the four (4) screws securing the arm to the rear of the monitor.
4. Detach the stand (arm and base) from the monitor.



- 
- The VESA wall mount kit ( 100 x 100 mm) is purchased separately.
  - Use only the UL Listed Wall Mount Bracket with minimum weight/load 28.8 kg (Screw size: M4 x 10 mm).
-

## 3.1 OSD (On-Screen Display) menu

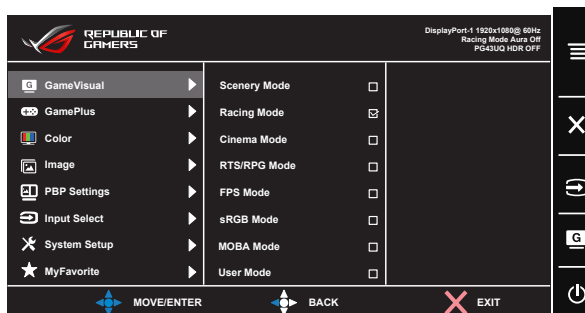
### 3.1.1 How to reconfigure



1. Press the Central of 5-way button to display the OSD menu.
2. Press the Up and Down keys to switch the options in the menu. When you move from one icon to another, the option name is highlighted.
3. To select a highlighted item from the menu, press the Right key or the Central button.
4. Press the Up and Down keys to select the desired parameters.
5. Press the Right key or the Central button to enter the slide bar, and then use the Up or Down keys (depending on the indicators in the menu) to make changes.
6. Press the Left key to return to the previous menu.

## 3.1.2 OSD Function Introduction

### 1. GameVisual

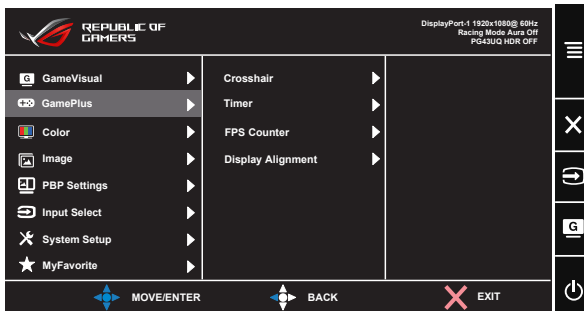


- **Scenery Mode:** This is the best choice for scenery photo displaying with GameVisual™ Video Intelligence Technology.
- **Racing Mode:** This is the best choice for racing game playing with GameVisual™ Video Intelligence Technology.
- **Cinema Mode:** This is the best choice for movie watching with GameVisual™ Video Intelligence Technology.
- **RTS/RPG Mode:** This is the best choice for Real-Time Strategy(RTS)/Role-Playing Game(RPG) playing with GameVisual™ Video Intelligence Technology.
- **FPS Mode:** This is the best choice for First Person Shooter game playing with GameVisual™ Video Intelligence Technology.
- **sRGB Mode:** This is the best choice for viewing photos and graphics from PCs.
- **MOBA Mode :** This is the best choice for Multiplayer Online Battle Arena (MOBA) games playing with GameVisual™ Video intelligence Technology.
- **User Mode:** More items are adjustable in the Color menu.



- 
- In the Racing Mode, the Saturation and ASCR functions are not user-configurable.
  - In the sRGB, the Saturation, Color Temp., Brightness, Contrast and ASCR functions are not user-configurable.
  - In the MOBA Mode, the Saturation and ASCR functions are not user-configurable.
-

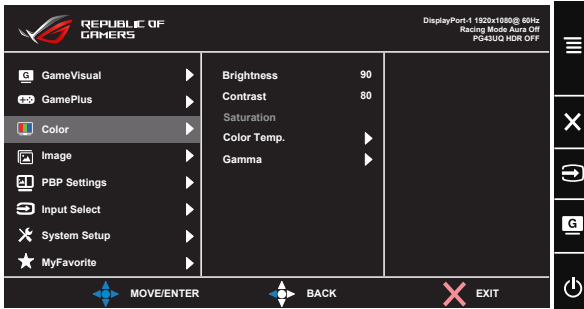
## 2. GamePlus



- **Crosshair:** Activate Crosshair function.
- **Timer:** Activate Timer function.
- **FPS Counter:** Activate FPS Counter function.
- **Display Alignment:** Activate Display Alignment function.

### 3. Color

Select the image color you like from this function.



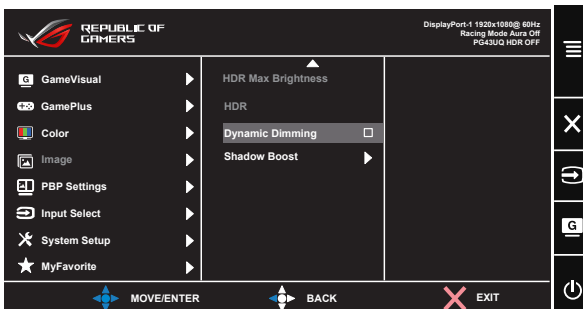
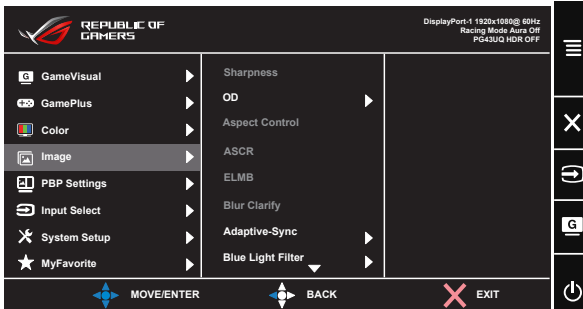
- **Brightness:** The adjusting range is from 0 to 100.
- **Contrast:** The adjusting range is from 0 to 100.
- **Saturation:** The adjusting range is from 0 to 100.
- **Color Temp.:** Contains three preset color modes (**Cool**, **Normal**, **Warm**) and **User Mode**.
- **Gamma:** Contains three gamma modes including 1.8, 2.2, 2.5.



- In the User Mode, colors of R (Red), G (Green), and B (Blue) are user-configurable; the adjusting range is from 0 ~ 100.

#### 4. Image

You can adjust Sharpness, OD, Aspect Control, ASCR, ELMB, Blur Clarify, Adaptive-Sync, Blue Light Filter, HDR Max Brightness, HDR, Dynamic Dimming and Shadow Boost from this main function.



- **Sharpness:** Adjusts the picture sharpness. The adjusting range is from 0 to 100.
- **OD:** Speeds up the response time by Over Drive technology. Including Level 0~Level 5.
- **Aspect Control:** Adjusts the aspect ratio to “Full” and “4:3”.
- **ASCR:** Select ON or OFF to enable or disable dynamic contrast ratio function.
- **ELMB:** Check to decrease motion blur and minimize ghosting part when on-screen objects are fast moving.
- **Blur Clarify:** Adjust luminance in ELMB mode.
- **Adaptive-Sync:** It can allow a Adaptive-Sync support 48-144Hz under DP mode and support FHD/QHD 48-120Hz under HDMI mode.

- **Blue Light Filter:** Adjust the energy level of blue light emitted from LED backlight.
  - **HDR Max Brightness:** Adjust HDR max. brightness to 400 nits, 600 nits, 1000 nits.
  - **HDR:** High Dynamic Range. Contains three HDR modes (ASUS Cinema HDR, ASUS Gaming HDR and Console Mode). The HDR mode is selectable when input video is correct HDR source.
  - **Dynamic Dimming:** Dynamic local dimming, turn on this feature to improve the dynamic contrast.
  - **Shadow Boost:** Dark color enhancement adjust monitor gamma curve to enrich the dark tones in an image making dark scenes and objects much easier be found.
- 



- Choose 4:3 to display the picture according to the original aspect ratio of the input source.
- 



- When Blue Light Filter is activated, the default settings of Racing Mode will be automatically imported.
  - Between Level 1 to Level 3, the Brightness function is user-configurable.
  - Level 4 is optimized setting. It is compliance with TUV Low Blue Light Certification. The Brightness function is not user-configurable.
- 



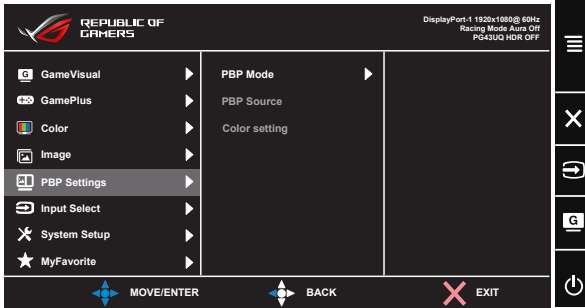
Please refer to the following to alleviate eye strains:

- Users should take some time away from the display if working for long hours. It is advised to take short breaks (at least 5 mins) after around 1 hour of continuous working at the computer. Taking short and frequent breaks is more effective than a single longer break.
  - To minimize eye strain and dryness in your eyes, users should rest the eye periodically by focusing on objects that are far away.
  - Eye exercises can help to reduces eye strain. Repeat these exercises often. If eye strain continues please consult a physician. Eye exercises: (1) Repeating look up and down (2) Slowly roll your eyes (3) Move your eyes diagonal.
  - High energy blue light may lead to eye strain and AMD (Age-Related Macular Degeneration). Blue light filter to reduce 70% (max.) harmful blue light to avoiding CVS (Computer Vision Syndrome).
-



## 5. PBP Setting

The PBP Setting allows you to open up sub-window(s) connected from any video source.



By activating this function, this monitor displays two pictures for any video source.

- **PBP Mode:** Select PBP or turn it off.
- **PBP Source:** Selects the video input source among, "HDMI-1", "HDMI-2", "DisplayPort-1" or "DisplayPort-2".
- **Color setting:** Set GameVisual mode for each PBP window.

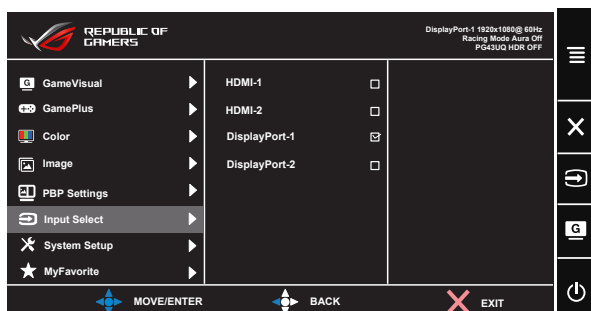


- To turn on PBP function will disable Adaptive-Sync, Dynamic Dimming and HDR function.
- PBP function is supported below 60Hz.

## 6. Input Select

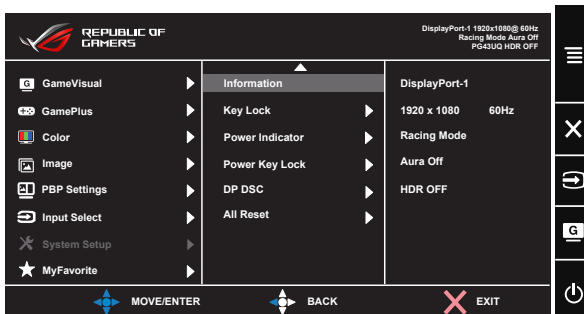
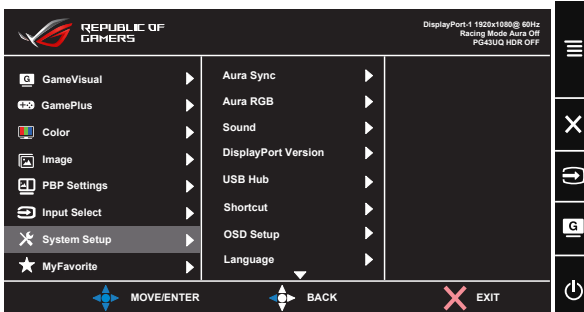
Select the input source:

- HDMI-1, HDMI-2, DisplayPort-1 and DisplayPort-2.



## 7. System Setup

Adjusts the system configuration.



- **Aura Sync:** Allows you to turn on or off the Aura Sync function that synchronizes the Aura RGB light effect among all supported devices.
- **Aura RGB:** In this function you can select an Aura RGB light effect for the monitor and change settings for the light effect. Select "OFF" if you want to turn the Aura RGB light effect off.
- **Sound:** Selects "Volume" to adjust the output volume level. Selects "Mute" to mute the output volume. Selects "Sound Source" to select audio source. Selects AudioWizard to select the preset sound modes Music Mode, Movie Mode, Gaming Mode and User Mode.
- **DisplayPort Version:** Select DP 1.2 or DP 1.4 for graphics card compatibility.
- **USB Hub:** Turn On/Off USB Hub function during the standby mode.

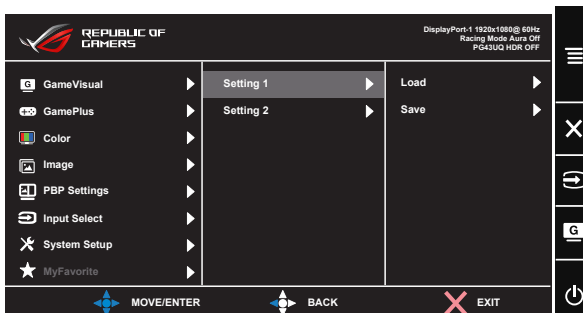
- **Shortcut:** Selecting this option allows you to set shortcut key.
- **OSD Setup:** Adjusts the **OSD Timeout, DDC/CI, Transparency, Zoom By Remote Control, and Zoom By Hot Key** of the OSD screen.
- **Language:** Select OSD language. The selections are: **English, French, German, Spanish, Italian, Dutch, Russian, Poland, Czech, Croacia, Hungary, Romania, Portugal, Turkey, Simplified Chinese, Traditional Chinese, Japanese, Korean, Persian, Thai, and Indonesian.**
- **Information:** Displays the monitor information.
- **Key Lock:** Disable all key functions. Pressing the down button for more than five seconds to disable key lock function.
- **Power Indicator:** Turn the power LED indicator on/off.
- **Power Key Lock:** To disable / enable power key
- **DP DSC:** DisplayPort Display Stream Compression. Select ON to enable 3840x2160 @ 120/144Hz 10bit data.
- **All Reset:** Selects **“Yes”** to revert all settings to the factory default mode.



- If the Aura Sync function is turned ON, the Aura RGB function will become unavailable.
- See page 3-11 for information on how to customize Aura light effects from your computer.

## 8. MyFavorite


Load/Save all settings on the monitor.



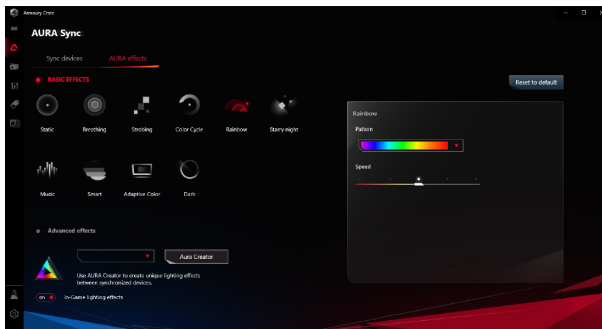
## 3.2 Aura

AURA is a software program that controls the colorful LEDs on supported devices, such as monitors, motherboards, graphic cards, desktop PCs, etc. Aura allows you to adjust the color of the RGB LEDs on these devices and select different light effects. You can also correct or adjust the color of the LEDs by calibrating them.

To activate Aura:

1. Turn ON the **Aura Sync** function in the OSD menu.
2. Connect the USB 3.0 upstream port of the monitor to the USB port of your computer.
3. Install AURA and then restart the computer.
4. Double-click the AURA program icon  on your desktop.

Refer to the figure below for information about the AURA program functions.



---


If the USB upstream connection between the monitor and computer is disconnected, to resume the Aura function, you need to re-connect the USB 3.0 upstream port of the monitor to the computer and then restart the computer.

---

### 3.4 Specifications

<b>Model</b>	<b>PG43UQ</b>
Panel Size	43" W (109.22 cm)
Max. Resolution	3840 x 2160
Brightness (Typ.)	750 nits (typical)
Intrinsic Contrast Ratio (Typ.)	4000:1
Viewing Angle (CR>10)	178°(V) /178°(H)
Display Colors	16.7M
Response Time	4 ms (G To G ), 1ms (MPRT )
Sound from HDMI	Yes
HDMI input	HDMI2.0 x 2
DisplayPort1.4 input	DP1.4 x 2
Audio in	Yes
PBP	Yes
USB3.0 Port	Upstream x1, Downstream x2
Earphone	Yes
Speaker	10 W x 2
Power On Consumption	< 55 W* (Measuring a screen brightness of 200 nits without audio/ USB/ Card reader connection)
Chassis Colors	Black
Power saving mode	< 0.5W(≤230V)
Power off mode	< 0.5W
Tilt	-5° ~ 10°
Phys. Dimension with stand (WxHxD)	974.58 x 631.31 x 242.19 mm
Phys. Dimension without stand (WxHxD)	974.58 x 570.62 x 74.6 mm
Box Dimension (WxHxD)	1069 x 722 x 295 mm
Net Weight with Stand (Esti.)	16.1 kg
Net Weight without Stand (Esti.)	15 kg
Gross Weight (Esti.)	23.6 kg
Temperature (operating)	0°C ~ 40°C
Voltage Rating	Adapter 20Vdc, 14A

### 3.5 Troubleshooting (FAQ)

Problem	Possible Solution
Power LED is not ON	<ul style="list-style-type: none"> <li>• Press the  button to check if the monitor is in the ON mode.</li> <li>• Check if the power cord is properly connected to the monitor and the power outlet.</li> <li>• Check Power Indicator function in main menu OSD. Select "ON" to turn on power LED.</li> </ul>
The power LED lights amber and there is no screen image	<ul style="list-style-type: none"> <li>• Check if the monitor and the computer are in the ON mode.</li> <li>• Make sure the signal cable is properly connected the monitor and the computer.</li> <li>• Inspect the signal cable and make sure none of the pins are bent.</li> <li>• Connect the computer with another available monitor to check if the computer is properly working.</li> </ul>
Screen image is too light or dark	<ul style="list-style-type: none"> <li>• Adjust the Contrast and Brightness settings via OSD.</li> </ul>
Screen image bounces or a wave pattern is present in the image	<ul style="list-style-type: none"> <li>• Make sure the signal cable is properly connected to the monitor and the computer.</li> <li>• Move electrical devices that may cause electrical interference.</li> </ul>
Screen image has color defects (white does not look white)	<ul style="list-style-type: none"> <li>• Inspect the signal cable and make sure that none of the pins are bent.</li> <li>• Perform Reset via OSD.</li> <li>• Adjust the R/G/B color settings or select the Color Temperature via OSD.</li> </ul>
The screen image is a white mist	<ul style="list-style-type: none"> <li>• PBP mode is not support HDR, Please try to turn off HDR function of source side or turn off PBP mode, and then check screen image is normal or not.</li> </ul>
No sound or sound is low	<ul style="list-style-type: none"> <li>• Adjust the volume settings of both your monitor and computer.</li> <li>• Make sure the computer sound card driver is properly installed and activated.</li> <li>• Check the audio source.</li> </ul>

<p>The following function is disabled automatically.</p> <ul style="list-style-type: none"> <li>• Adaptive-Sync</li> <li>• HDR</li> <li>• Dynamic Dimming</li> </ul>	<ul style="list-style-type: none"> <li>• To set PBP mode will disable Adaptive-Sync and HDR decoded automatically.</li> <li>• Adaptive-Sync is selectable after turn off PBP mode.</li> <li>• HDR is enabled automatically in PBP off mode.</li> </ul>
<p>PBP mode is disabled automatically.</p>	<ul style="list-style-type: none"> <li>• PBP mode is used below 60Hz. Turn off PBP mode if any input V frequency is more than 60Hz automatically.</li> <li>• Change Input video V frequency to 60Hz then try to set PBP mode again.</li> </ul>
<p>Image is not full screen in PBP mode.</p>	<ul style="list-style-type: none"> <li>• Set resolution to PBP window size as 1920x2160@60Hz.</li> <li>• Check resolution in PC and OSD. Disable scaling in graphics card if they are not the same.</li> <li>• The resolution in OSD is leftmost window. Set the input source to leftmost window to check resolution if the window is not leftmost window.</li> </ul>



## 3.6 Supported Timing List

### DP

Timing	H Pixels	V Pixels	Frame Rate
PC Timing	640	480	60
PC Timing	640	480	67
PC Timing	640	480	72
PC Timing	640	480	75
PC Timing	720	400	70
PC Timing	800	600	56
PC Timing	800	600	60
PC Timing	800	600	72
PC Timing	800	600	75
PC Timing	1024	768	60
PC Timing	1024	768	70
PC Timing	1024	768	75
PC Timing	1152	864	75
PC Timing	1280	720	60
PC Timing	1280	960	60
PC Timing	1280	1024	60
PC Timing	1280	1024	75
PC Timing	1440	900	60
PC Timing	1680	1050	60
PC Timing	1920	1080	60
PC Timing	1920	1080	120
PC Timing	1920	2160	60
PC Timing	2560	1440	120
PC Timing	3840	1600	144
PC Timing	3840	2160	60
PC Timing	3840	2160	80
PC Timing	3840	2160	98
PC Timing	3840	2160	120
PC Timing	3840	2160	144
Video Timing	640	480P	60
Video Timing	720	480P	60
Video Timing	720	576P	50
Video Timing	1280	720P	50
Video Timing	1280	720P	60
Video Timing	1440	480P	60
Video Timing	1440	576P	50
Video Timing	1920	1080P	50
Video Timing	1920	1080P	60
Video Timing	3840	2160	50
Video Timing	3840	2160	60

# HDMI

Timing	H Pixels	V Pixels	Frame Rate
PC Timing	640	480	60
PC Timing	640	480	67
PC Timing	640	480	72
PC Timing	640	480	75
PC Timing	720	400	70
PC Timing	800	600	56
PC Timing	800	600	60
PC Timing	800	600	72
PC Timing	800	600	75
PC Timing	1024	768	60
PC Timing	1024	768	70
PC Timing	1024	768	75
PC Timing	1152	684	75
PC Timing	1280	720	60
PC Timing	1280	960	60
PC Timing	1280	1024	60
PC Timing	1280	1024	75
PC Timing	1440	900	60
PC Timing	1680	1050	60
PC Timing	1920	1080	60
PC Timing	1920	2160	60
PC Timing	2560	2160	60
PC Timing	2560	1440	120
PC Timing	3840	2160	60
Video Timing	640	480P	60
Video Timing	720	576P	50
Video Timing	1280	720P	50
Video Timing	1280	720P	60
Video Timing	1280	720P	120
Video Timing	1440	480P	60
Video Timing	1440	576P	50
Video Timing	1920	1080i	50
Video Timing	1920	1080i	60
Video Timing	1920	1080P	50
Video Timing	1920	1080P	60
Video Timing	1920	1080P	120
Video Timing	3840	2160	30
Video Timing	3840	2160	50
Video Timing	3840	2160	60

**\* The modes not listed in the above tables may not be supported. For optimal resolution, we recommend that you choose a mode listed in the above tables.**