



REPUBLIC OF
GAMERS

ROG NUC

MINI PC

NUC14SRKU7A

NUC14SRKU9B

Technical Product Specifications (TPS)

Regulatory Model: NUC14SRK (Mini PC)

HDMI™
HIGH-DEFINITION MULTIMEDIA INTERFACE

ASUS

COPYRIGHT INFORMATION

No part of this manual, including the products and software described in it, may be reproduced, transmitted, transcribed, stored in a retrieval system, or translated into any language in any form or by any means, except documentation kept by the purchaser for backup purposes, without the express written permission of ASUSTeK COMPUTER INC. ("ASUS").

ASUS PROVIDES THIS MANUAL "AS IS" WITHOUT WARRANTY OF ANY KIND, EITHER EXPRESS OR IMPLIED, INCLUDING BUT NOT LIMITED TO THE IMPLIED WARRANTIES OR CONDITIONS OF MERCHANTABILITY OR FITNESS FOR A PARTICULAR PURPOSE. IN NO EVENT SHALL ASUS, ITS DIRECTORS, OFFICERS, EMPLOYEES OR AGENTS BE LIABLE FOR ANY INDIRECT, SPECIAL, INCIDENTAL, OR CONSEQUENTIAL DAMAGES (INCLUDING DAMAGES FOR LOSS OF PROFITS, LOSS OF BUSINESS, LOSS OF USE OR DATA, INTERRUPTION OF BUSINESS AND THE LIKE), EVEN IF ASUS HAS BEEN ADVISED OF THE POSSIBILITY OF SUCH DAMAGES ARISING FROM ANY DEFECT OR ERROR IN THIS MANUAL OR PRODUCT.

Products and corporate names appearing in this manual may or may not be registered trademarks or copyrights of their respective companies, and are used only for identification or explanation and to the owners' benefit, without intent to infringe.

SPECIFICATIONS AND INFORMATION CONTAINED IN THIS MANUAL ARE FURNISHED FOR INFORMATIONAL USE ONLY, AND ARE SUBJECT TO CHANGE AT ANY TIME WITHOUT NOTICE, AND SHOULD NOT BE CONSTRUED AS A COMMITMENT BY ASUS. ASUS ASSUMES NO RESPONSIBILITY OR LIABILITY FOR ANY ERRORS OR INACCURACIES THAT MAY APPEAR IN THIS MANUAL, INCLUDING THE PRODUCTS AND SOFTWARE DESCRIBED IN IT.

Copyright © 2024 ASUSTeK COMPUTER INC. All Rights Reserved.

LIMITATION OF LIABILITY

Circumstances may arise where because of a default on ASUS' part or other liability, you are entitled to recover damages from ASUS. In each such instance, regardless of the basis on which you are entitled to claim damages from ASUS, ASUS is liable for no more than damages for bodily injury (including death) and damage to real property and tangible personal property; or any other actual and direct damages resulted from omission or failure of performing legal duties under this Warranty Statement, up to the listed contract price of each product.

ASUS will only be responsible for or indemnify you for loss, damages or claims based in contract, tort or infringement under this Warranty Statement.

This limit also applies to ASUS' suppliers and its reseller. It is the maximum for which ASUS, its suppliers, and your reseller are collectively responsible.

UNDER NO CIRCUMSTANCES IS ASUS LIABLE FOR ANY OF THE FOLLOWING: (1) THIRD-PARTY CLAIMS AGAINST YOU FOR DAMAGES; (2) LOSS OF, OR DAMAGE TO, YOUR RECORDS OR DATA; OR (3) SPECIAL, INCIDENTAL, OR INDIRECT DAMAGES OR FOR ANY ECONOMIC CONSEQUENTIAL DAMAGES (INCLUDING LOST PROFITS OR SAVINGS), EVEN IF ASUS, ITS SUPPLIERS OR YOUR RESELLER IS INFORMED OF THEIR POSSIBILITY.

SERVICE AND SUPPORT

Visit our multi-language website at <https://www.asus.com/support/>.

Contents

About this guide.....	5
Package contents.....	9
1. Product Specification	
1.1 Specifications.....	11
1.2 Feature Summary.....	12
2. Product Introduction	
2.1 Board Layout.....	16
2.2 Front view.....	17
2.3 Rear view.....	17
2.4 Block Diagram.....	18
2.5 Feature Descriptions.....	19
2.5.1 System Memory.....	19
2.5.2 Processor Graphics Subsystem.....	19
2.5.3 Integrated Audio.....	20
2.5.4 SDXC Card Reader.....	20
2.5.5 Real-Time Clock Subsystem.....	20
2.5.6 LAN Subsystem.....	23
2.5.7 Hardware Management Subsystem.....	24
3. NUC Mini PC Setup	
3.1 Installing the stand.....	26
3.2 Connecting the display.....	27
3.3 Connecting the LAN cable.....	28
3.4 Connecting the power adapter.....	29
3.5 Powering on the system.....	31
4. NUC Component Integration	
4.1 Opening system.....	32
4.2 Logo Mask Replacement.....	35
4.3 DDR5 SO-DIMM Installation.....	36
4.4 M.2 module Installation.....	37
4.4.1 M.2 slot with Q-latch.....	37
4.4.2 M.2 slot with clip.....	38

4.5	Closing system.....	39
-----	---------------------	----

5. Technical references

5.1	Signal Tables for the Connectors and Header	41
5.1.1	M.2 2280 Module Connector.....	42
5.1.2	BIOS Security Jumper.....	44
5.1.3	Fan Header Current Capability.....	46
5.1.4	Power Supply Connectors	46
5.2	Mechanical Considerations.....	47
5.2.1	Form Factor.....	47
5.3	Thermal Considerations	48
5.4	Environmental	49

6. BIOS Support

6.1	Introduction.....	51
6.2	Legacy USB Support.....	51
6.3	BIOS Updates.....	51
6.3.1	BIOS Recovery.....	52
6.4	Boot Options	52
6.4.1	Boot Device Selection During Post	52
6.4.2	Power Button Menu.....	53
6.5	Boot Options	55
6.6	BIOS Error Messages	57

About this guide

This user guide includes information on the following NUC SKUs:

- **NUC Mini PC**
(Memory and M.2 module already included in the NUC system; Windows 11 Home Operating System included):
Specifications and steps to set up your NUC Mini PC.
- **Technical Product Specification (TPS)**
Specifies the board layout, components, connectors, power and environmental requirements, the BIOS, and integration features.

Audience

This user guide is intended to provide detailed, technical information about the NUC Mini PC and its components to the vendors, system integrators, and other engineers and technicians who need this level of information.

How this guide is organized

This guide contains the following parts:

- **Chapter 1: Product Specification**
This chapter provides an overview of the specifications of the NUC system.
- **Chapter 2: Product Introduction**
This chapter provides you with the figures, layouts, physical description of the system, and detailed features.
- **Chapter 3: NUC Mini PC Setup**
This chapter lists the basic setup procedures for setting up your NUC Mini PC system.
- **Chapter 4: NUC Component Integration**
This chapter provides you with information on how to upgrade key components of your NUC system.
- **Chapter 5: Technical references**
This chapter details technical references and considerations.
- **Chapter 6: BIOS Support**
This chapter provides an overview of BIOS features and specifications of the NUC system.

Conventions used in this guide

To highlight key information in this manual, some text are presented as follows:

IMPORTANT! This message contains vital information that must be followed to complete a task.

NOTE: This message contains additional information and tips that can help complete tasks.

WARNING! This message contains important information that must be followed to keep you safe while performing certain tasks and prevent damage to your NUC system's data and components.

Other Common Notation

#	Used after a signal name to identify an active-low signal (such as USBP0#)
GB	Gigabyte (1,073,741,824 bytes)
GB/s	Gigabytes per second
Gb/s	Gigabits per second
KB	Kilobyte (1024 bytes)
Kb	Kilobit (1024 bits)
kb/s	1000 bits per second
MB	Megabyte (1,048,576 bytes)
MB/s	Megabytes per second
Mb	Megabit (1,048,576 bits)
Mb/s	Megabits per second
TDP	Thermal Design Power
xxh	An address or data value ending with a lowercase h indicates a hexadecimal value.
x.x V	Volts. Voltagers are DC unless otherwise specified.
x.x A	Amperes.

Production Identification Information

ASUSTeK NUC Product NUC14SRKU[X]A,B Identification Information

Product Name	ROG NUC
NUC14SRKU[X]A,B	NUC14SRKU[X]A,B

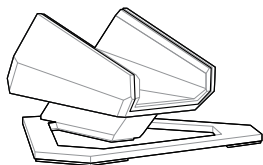
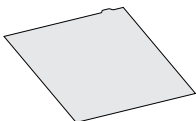
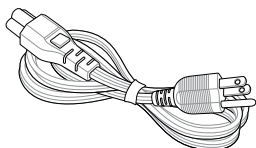
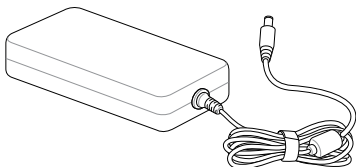
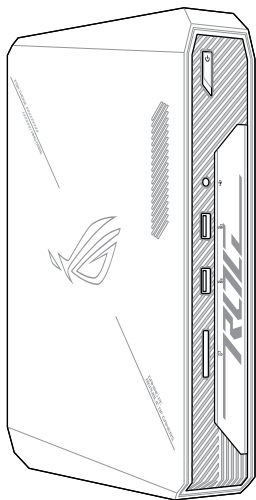
Where to find more information

Refer to the following sources for additional information and for product and software updates.

1. ASUS website

The ASUS website (www.asus.com) provides updated information on ASUS hardware and software products.

Package contents



NOTE:

- The most up-to-date and accurate product specifications are available on www.asus.com for download.
 - Product and accessory images are for illustrative purposes only. The actual appearance and specifications may vary depending on the model.
 - *The bundled power adapter may vary depending on the model and the country (or region) of sale.
 - Some bundled accessories may vary depending on the model. For details on these accessories, refer to their respective user manuals.
 - If the device or its components fail or malfunction during normal and proper use within the warranty period, bring the warranty card to the ASUS Service Center for replacement of the defective components.
-

1. Product Specification

1.1 Specifications

Mini PC SKUs

The NUC Mini PC is a small form factor PC system. The NUC Mini PC comes with RAM, storage, and operating system pre-installed.

ASUS Project Code	NUC14SRK	
Product Name	NUC14SRKU7A	NUC14SRKU9B
Processor	Intel® Core™ Ultra 9 185H	Intel® Core™ Ultra 7 155H
GPU	NVIDIA® GeForce RTX™ 4070	NVIDIA® GeForce RTX™ 4060
AC Cord	US, EU, AU, UK, CN, TW, JP(Type A) or No Cord	US, EU, AU, UK, CN, TW, JP(Type A) or No Cord
RAM	2 x 16 GB	2 x 8 GB
Storage	1TB Gen4 NVMe SSD	512GB Gen4 NVMe SSD
OS	Win 11 Home	Win 11 Home

1.2 Feature Summary

The tables below summarize the major features of the NUC system.

Chassis Dimensions	10.63in. x 7.1in. x 2.6in. (270mm x 180mm x 60mm) (including feet) 10.63in. x 7.1in. x 1.97in. (270mm x 180mm x 50mm) (not including feet)
Processor	ROG Mini PCs NUC14SRKU[X]A,B have a soldered-down Intel® Core™ Ultra[X] <ul style="list-style-type: none">• Intel® Core™ Ultra 9-185H processor• Intel® Core™ Ultra 7-155H processor
Memory	Two 288-pin 1.1 V DDR5 SDRAM Small Outline Dual Inline Memory Module (SO-DIMM) sockets <ul style="list-style-type: none">• Support for DDR5 5600 MHz SO-DIMMs• Support for 8 Gb and 16 Gb technology• Support for up to 64 GB of system memory with two SO-DIMMs using 32 GB memory modules• Support for non-ECC memory• Support for 1.1 V JEDEC memory only 2 Gb and 4 Gb memory technology (SDRAM Density) is not supported
Graphics	Integrated graphics support for processors with Intel® Arc Graphics Technology <ul style="list-style-type: none">• One USB Type C Back panel connector up to DP2.1 FRL Discrete graphics support by NVIDIA GeForce RTX 4070/4060 with 8GB GDDR6 VRAM <ul style="list-style-type: none">• One Full Size High Definition Multimedia Interface (HDMI 2.1a FRL compatible) back panel connector• Two DisplayPort Back panel connectors

(continued on next page)

Audio	<p>Audio via digital display outputs</p> <ul style="list-style-type: none"> • When using an encoded format (such as DTS-HD MA or Dolby True HD) the system supports a single 7.1 stream. When using an un-encoded format, the system supports 8 discrete, un-encoded channels per HDMI port simultaneously, for a total of 16 discrete/un-encoded channels. <p>Realtek Audio via a stereo microphone/headphone 3.5mm jack on the front panel</p>
Storage	<p>Three M.2 PCIe Gen4 connectors supporting M.2 22x80 (key type M) for NVMe only</p>
Communication	<p>Wireless connectivity using the Intel® Wi-Fi 6E AX1690i wireless networking module</p> <ul style="list-style-type: none"> • 802.11ax, Concurrent Dual Band, 2x2 Wi-Fi + Bluetooth® 5.3 • Bands 2.4, 5, 6 GHz (160MHz) • Maximum Transfer speed up to 2.4 Gbps • M.2 2230 Hybrid Key E form factor <p>Gigabit (10/100/1000/2500 Mbps) LAN subsystem using the Intel® i226-V Gigabit Ethernet Controller</p> <ul style="list-style-type: none"> • PCIe 3.1 5GT/s support for x1 width (Lane) • Single-port integrated multi-gigabit (up to 2.5G) • Supports Time Sensitive Networking (TSN) • Full wake up support • Supports for packets up to 9.5 KB (Jumbo Frames)

(continued on next page)

Thunderbolt™

1x Thunderbolt™ 4 port (back panel)

- 15W and 18W port bus power
 - Charging capability up to 12V @ 1.5A, 5V @ 3A and 9V @ 2A
- Thunderbolt networking
- Protocol support:
PD Modes Supported: TBT3, USB4, USB3, DP-alt/
MF

TBT3 Tx/Rx rates: 40G (2 x 20.625), 20G (2 x 10.3125)

PCI Express Tunnel: 32 Gbps

USB4 Tx/Rx rates: 40G (2 x 20), 20G (2 x 10)

USB3 Native: 10Gbps (1 x 10G)

USB3 Tunnel: 10Gbps

USB2: 480 Mbps

DP2.1

HBR3 DisplayPort Tunneling:

Port 1: 2 streams (~35 Gbps, Thunderbolt 4 certified)

For more information about the location of the Thunderbolt™ port(s), see Rear View section.

USB Ports and Headers

1 x USB 4 Type C® / Thunderbolt™4 (back panel)

4 x USB 3.2 Gen 2 ports (2 front panel and 2 back panel)

2 x USB 2.0 ports (back panel)

For more information about the location of the USB ports and headers see Rear View section.

For more information about the pinout of the USB ports and headers see Signal Tables for the Connectors and Header section.

(continued on next page)

Power	<p>AC Adapter</p> <ul style="list-style-type: none"> • Ships with a 330W adapter • Adapter output: 19.5VDC @ 16.9 Amps • System Power Input 19.5VDC +/- 5% with DC transient voltage protection
Operating Temperatures	<p>0-35°C external ambient operating temperature</p> <p>For more information about environmental specifications see Environmental section.</p>
BIOS	<p>BIOS resident in the Serial Peripheral Interface (SPI) Flash device</p> <p>Support for Advanced Configuration and Power Interface (ACPI), Plug and Play, and System Management BIOS (SMBIOS)</p>
Hardware Monitor Subsystem	<p>Hardware monitoring subsystem including:</p> <ul style="list-style-type: none"> • Voltage sense to detect out of range power supply voltages • Thermal sense to detect out of range thermal values • Two fan headers

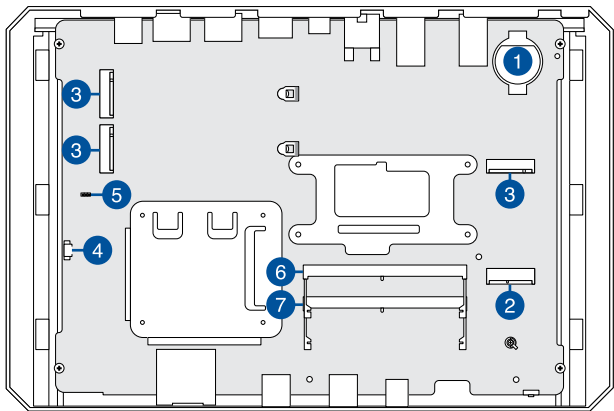
Additional Features

Chassis Expandability	No Chassis Expansion available
HDMI CEC API	CEC commands are supported on all HDMI ports for display power on/off and the BIOS provides an option to enable/disable the onboard CEC controls.
Delayed AC Start	There is a short delay after AC power is applied before unit is ready to power-up to protect the system after AC loss.

2. Product Introduction

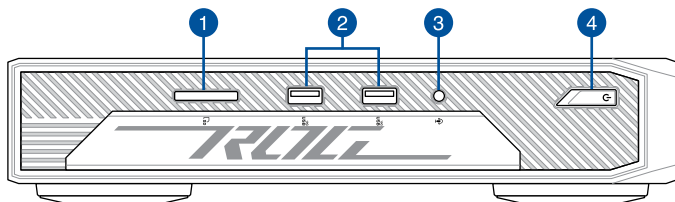
2.1 Board Layout

The illustration below shows the location of the major components on the bottom of the motherboard.

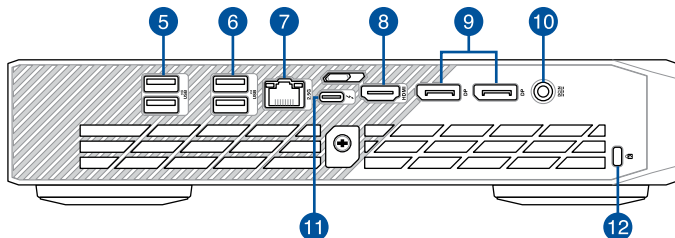


- | | |
|---|-------------------------|
| 1 CMOS battery | 5 BIOS Security header |
| 2 M.2 2230 module connector (Key Type E) (WiFi) | 6 DDR5 SO-DIMM 0 Socket |
| 3 M.2 2280 module connectors (Key Type M) (NVMe Only) | 7 DDR5 SO-DIMM 1 Socket |
| 4 ARGB panel header (top lid) | |

2.2 Front view



2.3 Rear view

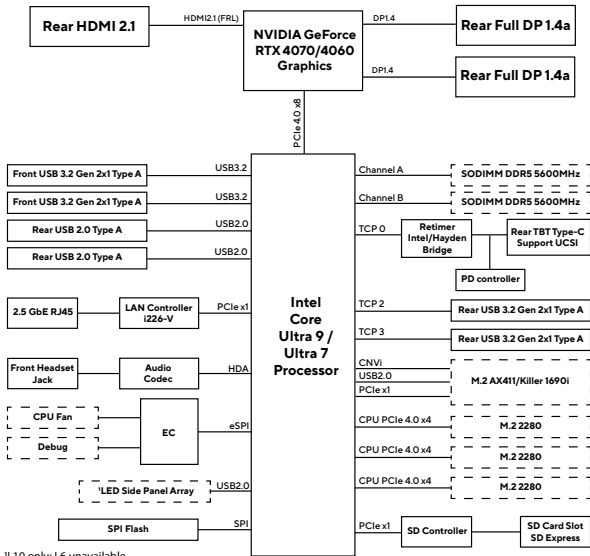


- | | | | |
|---|---------------------------------------|----|--------------------------|
| 1 | SD card slot | 7 | 2.5G LAN Port |
| 2 | USB 3.2 Gen 2 port | 8 | HDMI HDMI™ port |
| 3 | Headphone/Headset/
Microphone jack | 9 | DP DisplayPort |
| 4 | Power button | 10 | Power input |
| 5 | USB 3.2 Gen 2 port | 11 | Thunderbolt™ 4 port |
| 6 | USB 2.0 port | 12 | Kensington security slot |

Thunderbolt 4 / USB 4 (Type-C®) specifications:

Feature	Details
Type-C® output support	Thunderbolt 4 (40Gbps), native USB 4 (10Gbps), native DP1.4
Power over Type-C®	15W; 18W
Power profiles support	12V @ 1.5A, 5V @ 3A and 9V @ 2A

2.4 Block Diagram



2.5 Feature Descriptions

2.5.1 System Memory

ASUS NUC Mini PC Memory Information

ASUS NUC Mini PC NUC14SRKU[X]A,B VA can be purchased with 2 x 8 GB DDR5 5600 MHz SODIMMs included. More information about available ASUS NUC Mini PC NUC14SRKU[X]A,B VA can be found under the **Specifications** section.

NOTE: System is not validated for >64GB capacity due to thermal limitations

2.5.2 Processor Graphics Subsystem

ASUS NUC14SRKU[X]A,B supports NVIDIA RTX 40 series discrete mobile Graphics.

General Power and Memory Guidance for Optimal Graphics Performance

ASUS NUC14SRKU[X]A,B performance is significantly impacted by power levels and memory selection. For the best performance:

- Allow for higher system power level budgets
- Recommended DDR5-5600 128bit 2Rx8
 - 128bit (Dual Channel) memory is better performing than 64bit (Single Channel) memory
- Maximum multiple display utilization will require 2Rx32 (64GB system RAM).

Display Features

Multiple DisplayPort, USB Type-C® (Thunderbolt 4), and HDMI configurations feature the following port designations:

- One HDMI 2.1 FRL
- Two DisplayPort DP1.4a
- One USB Type-C® (rear Thunderbolt 4)

2.5.3 Integrated Audio

HDMI, Thunderbolt and DP interfaces can carry audio along with video. The GPU supports four HD audio streams over four digital ports simultaneously.

The processor supports the following audio formats:

- AC-3 Dolby Digital
- Dolby Digital Plus
- DTS-HD
- LPCM, 192 kHz/24 bit, 6 channel
- Dolby TrueHD, DTS-HD Master Audio

Discrete Audio

The integrated Realtek audio subsystem supports the following features:

- Analog line-out/Analog headphone/Analog Microphone (front panel jack)

2.5.4 SDXC Card Reader

The kit has a standard Secure Digital (SD) card reader that supports the Secure Digital eXtended Capacity (SDXC) format, 8.0 specification with SD Express UHS-I bus support. SD Card sizes supported: SDXC (64GB to 2TB), SDHC (4GB-32GB), SD (2GB and less).

2.5.5 Real-Time Clock Subsystem

A coin-cell battery (CR2032) powers the real-time clock and CMOS memory. When the computer is not plugged into a wall socket, the battery has an estimated life of three years. When the computer is plugged in, the standby current from the power supply extends the life of the battery. The clock is accurate to ~13 minutes/year at 25°C with 3.3 VSB applied via the power supply 5V STBY rail.

Button cell and coin battery notice

1. Remove and immediately recycle or dispose of used batteries according to local regulations and keep out of reach of children. Do not incinerate or dispose of batteries in household trash.
2. If ingested or inserted inside any part of the body, call a local poison control center for treatment information. Even used batteries may cause serious injury or death.
3. This product uses CR2032 type batteries with a nominal voltage of 3V.
4. Do not attempt to recharge non-rechargeable batteries.
5. Do not forcibly discharge, recharge, disassemble, heat above the battery manufacturer's specified temperature rating, or incinerate. Doing so may result in injury or chemical burns caused by venting, leakage, or explosion.
6. When installing batteries, ensure that the polarity (+ and -) is correct.
7. Do not mix old and new batteries, or batteries of different brands or types (such as alkaline, carbon-zinc, or rechargeable batteries).
8. Remove and immediately recycle or dispose of batteries from equipment not used for an extended period of time according to local regulations.
9. Always completely secure the battery compartment. If the battery compartment cannot be securely closed, stop using the product, remove the batteries, and keep the batteries out of reach of children.

WARNING

- **INGESTION HAZARD:** This product contains a button cell or coin battery.
- **DEATH** or serious injury can occur if ingested.
- A swallowed button cell or coin battery can cause **Internal Chemical Burns** in as little as **2 hours**.
- **KEEP** new and used batteries **OUT OF REACH of CHILDREN**.
- **Seek immediate medical attention** if a battery is suspected to be swallowed or inserted inside any part of the body.



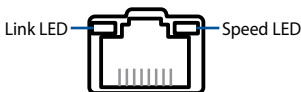
NOTE:

- If the battery and AC power fail, date and time values will be reset and the user will be notified during the POST.
 - When the voltage drops below a certain level, the BIOS Setup program settings stored in CMOS RAM (for example, the date and time) might not be accurate. Replace the battery with an equivalent battery.
-

2.5.6 LAN Subsystem

RJ-45 LAN Connector with Integrated LEDs

Two LEDs are built into the RJ-45 LAN connector.



The table below describes the LED states when the system is powered up and the LAN subsystem is operating.

Link LED	
Status	Description
OFF	No link
GREEN	Linked
BLINKING	Data activity

Speed LED	
Status	Description
OFF	100 Mbps / 10 Mbps connection
YELLOW	1 Gbps connection
GREEN	2.5 Gbps connection

Wireless Network Module

The Intel® Killer™ Wi-Fi 6E AX1690i module provides hi-speed wireless connectivity with the following capabilities:

- Bluetooth 5.3
- Bands: 2.4, 5, 6 GHz (160MHz)
- UL and DL MU-MIMO
- OFDMA

2.5.7 Hardware Management Subsystem

Fan Monitoring

Fan monitoring can be implemented using ASUS Armoury Crate Software.

System States and Power States

Please refer to the table below for ACPI states supported by the processor.

State	Description
G0/S0/C0	Full On: CPU operating. Individual devices may be shut to save power. The different CPU operating levels are defined by Cx states.
G0/S0/Cx	Cx State: CPU manages C-states by itself and can be in lower power states.
G1	Suspend-To-RAM (STR): The system context is maintained in system DRAM, but power is shut to non-critical circuits. Memory is retained and refreshes continue. All external clocks are shut off; RTC clock and international oscillator clocks are still toggling.
G1/S4	Suspend-To-Disk (STD): The context of the system is maintained on the disk. All power is then shut to the system except to the logic required to resume. Externally appears the same as S5 but may have different wake events.
G2/S5	Soft Off: System context not maintained. All power is shut except for the logic required to restart. A full boot is required when waking.
G3	Mechanical Off: System context not maintained. All power shut except for the RTC. No "Wake" events are possible because the system does not have any power. This state occurs if the user removes the batteries, turns off a mechanical switch, or if the system power supply is at a level that is insufficient to power the "waking" logic.

Wake-up Devices and Events

Please refer to the table below for devices or specific events that can wake the computer from specific states.

Devices/events that wake up the system...	...from this sleep state	Comments
Power switch	S0iX, S4, S51	
RTC alarm	S0iX, S4, S51	Option for monitor to remain in sleep state
LAN	S0iX, S4, S51, 3	"S5 WOL after G3" is supported; monitor to remain in sleep state
WIFI	S0iX	
Bluetooth	S0iX	
USB	S0iX, S4, S51, 2, 3	Wake S4, S5 controlled by BIOS option (not after G3)
PCIe	S0iX, S41	Via WAKE; monitor to remain in sleep state

NOTE:

- S0iX represents Microsoft Modern Standby
 - S4 implies operating system support only.
 - Will not wake from Deep S4/S5. USB S4/S5 Power is controlled by BIOS. USB S5 wake is controlled by BIOS. USB S4 wake is controlled by OS driver, not just BIOS option.
 - Windows Fast startup will block wake from LAN and USB from S5.
 - The use of these wake-up events from an ACPI state requires an operating system that provides full ACPI support. In addition, software, drivers, and peripherals must fully support ACPI wake events.
-

3. NUC Mini PC Setup

3.1 Installing the stand

The NUC Mini PC can be used in a horizontal or vertical position. If you wish to use the NUC Mini PC in a vertical position, attach the bundled stand onto the NUC Mini PC.



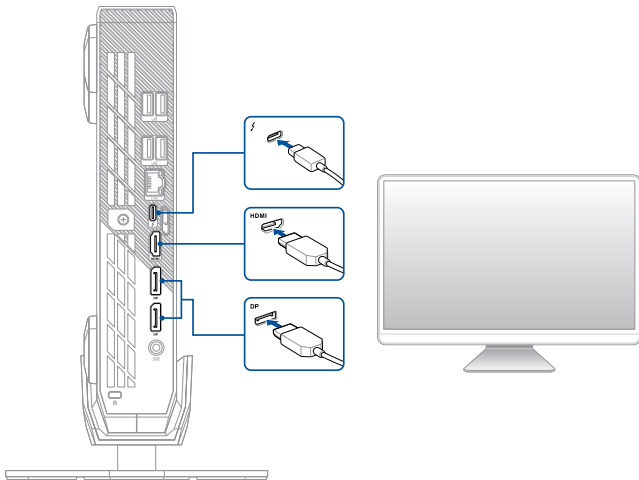
3.2 Connecting the display

You can connect a display panel or projector to your NUC Mini PC that has the following connectors:

- HDMI port
- DisplayPort
- Thunderbolt 4 / USB 4 (Type-C®) port

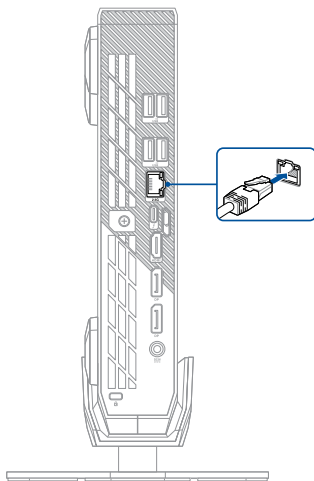
To connect a display panel to your NUC Mini PC:

Connect one end of a HDMI, DisplayPort, or Thunderbolt 4 / USB Type-C® cable to an external display, and the other end of the cable to your NUC Mini PC's HDMI port, DisplayPort, or Thunderbolt 4 / USB 4 (Type-C®) port.



3.3 Connecting the LAN cable

Connect a LAN cable to your NUC Mini PC for wired connection.

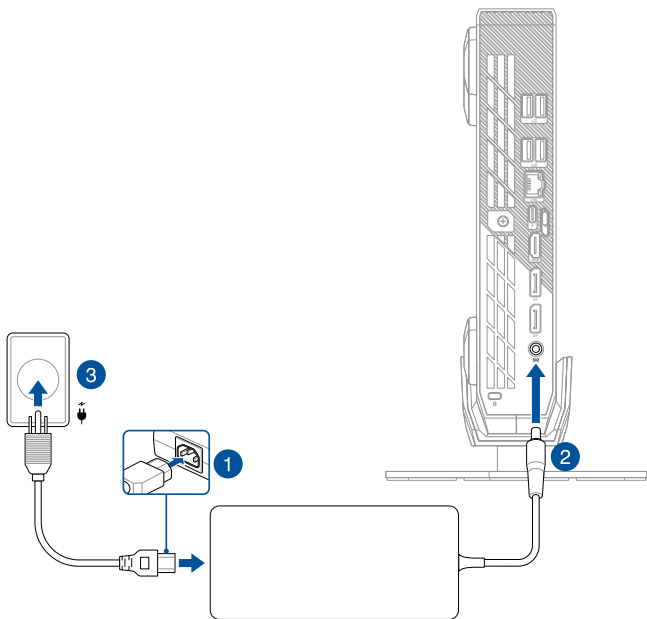


3.4 Connecting the power adapter

To connect the AC power adapter to your NUC Mini PC:

1. Connect the power cord to the AC power adapter.
2. Connect the DC power connector into your NUC Mini PC's power (DC) input.
3. Plug the AC power adapter into a 100V~240V power source.

NOTE: The power adapter may vary in appearance, depending on the model and the country (or region) of sale.



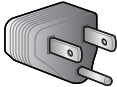
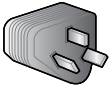
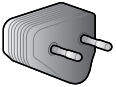
NOTE: Please refer to the following for more information on the adapter and the system:


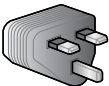

330W Power adapter

- Input voltage: 100-240 Vac
- Input frequency: 50-60 Hz
- Output current: 16.92 A (330.0 W) / 16.5A (330.0 W)
- Output voltage: 19.5 Vdc / 20 Vdc
- Rated for use between 0°C and 35°C (32°F and 95°F)

System

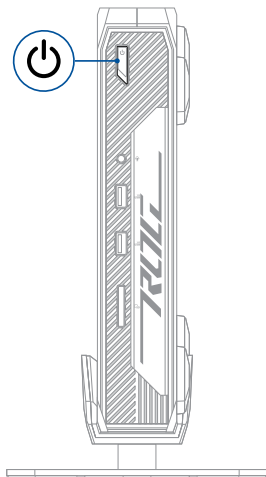
- Rated input current: 16.9 A (330.0 W) / 16.5A (330.0 W)
- Rated input voltage: 19.5 Vdc / 20 Vdc
- Operating temperature: 0°C to 35°C external ambient

Plug			
Code	US	CN	EU
Country	United States	China	European Union

Plug			
Code	AU	UK	JP
Country	Australia	United Kingdom	Japan (Type-A)

3.5 Powering on the system

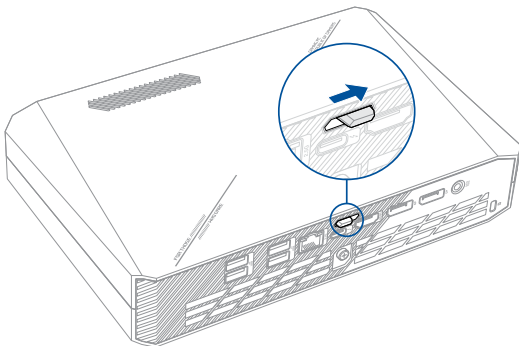
Press the power button on your NUC Mini PC to power on the system.



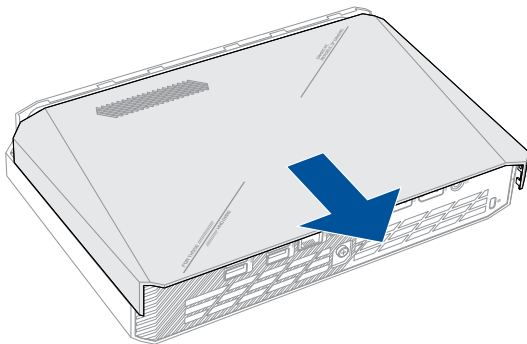
4. NUC Component Integration

4.1 Opening system

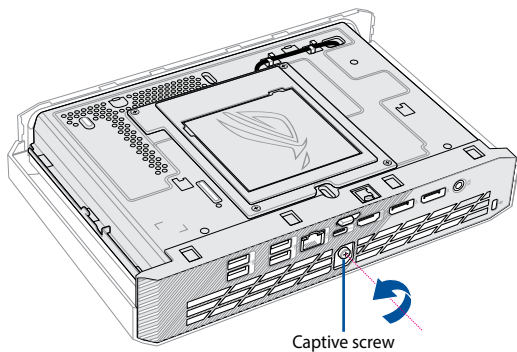
1. Slide the top cover lock latch on the rear of the system to the unlocked position.



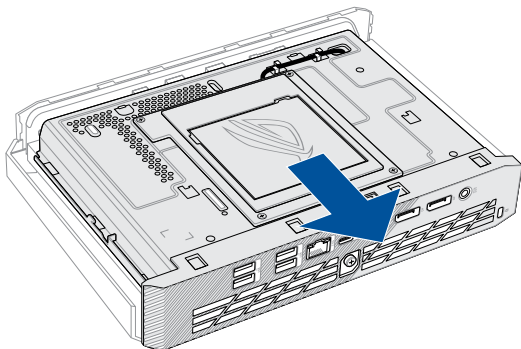
2. Pull the top cover towards the rear of the system until it disengages from the system, then lift and remove the top cover from the system.



3. Completely loosen the captive screw on the rear of the system.

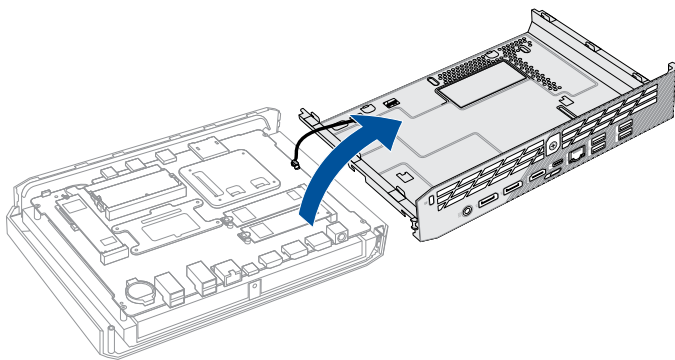


4. Pull the rear plate and top shield module towards the rear of the system until it disengages from the system.



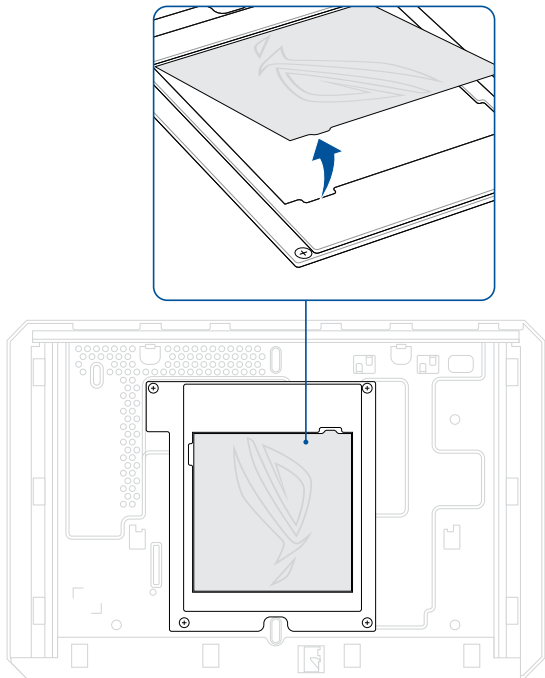
5. Gently lift and flip the rear plate and top shield module over in the direction shown in the illustration below.

NOTE: Do not use excessive force when lifting or flipping the rear IO cover and inner cover module over, doing so may cause damages to the cable connecting the rear IO cover and inner cover module to the inner board.



4.2 Logo Mask Replacement

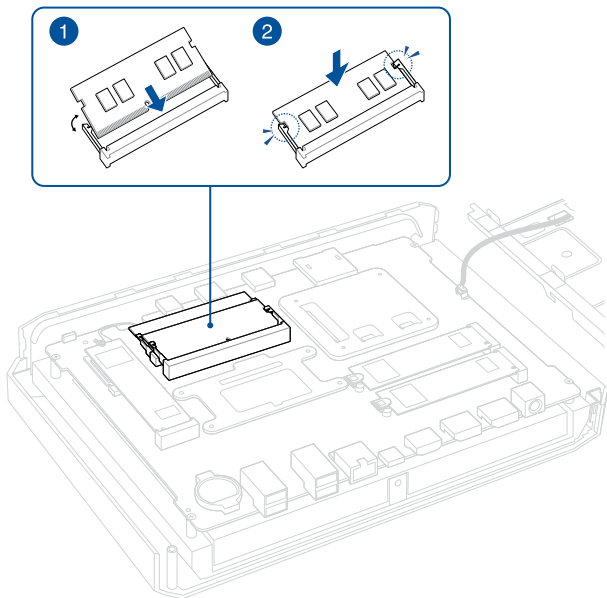
1. Remove only the top cover of the system. Please refer to **Opening system** section for more information on removing the top cover.
2. Lift and remove the logo mask from the rear plate and top shield module.



3. Place the new logo mask into the rear plate and top shield module.

4.3 DDR5 SO-DIMM Installation

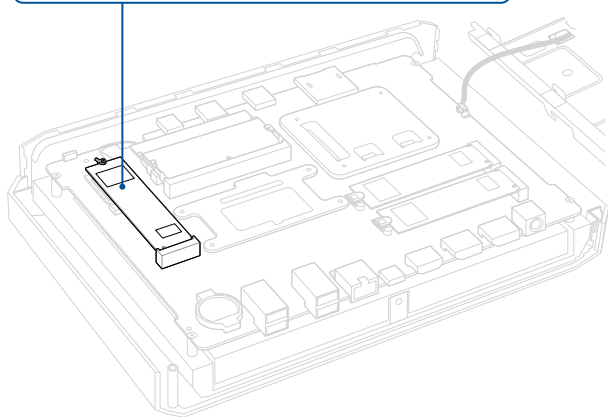
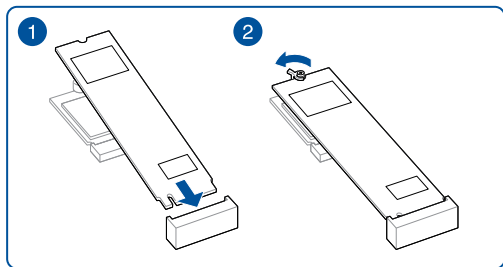
1. Insert the DDR5 SO-DIMM into the SO-DIMM slot on the system board.
2. Push the DDR5 SO-DIMM down until it clicks into place.



4.4 M.2 module Installation

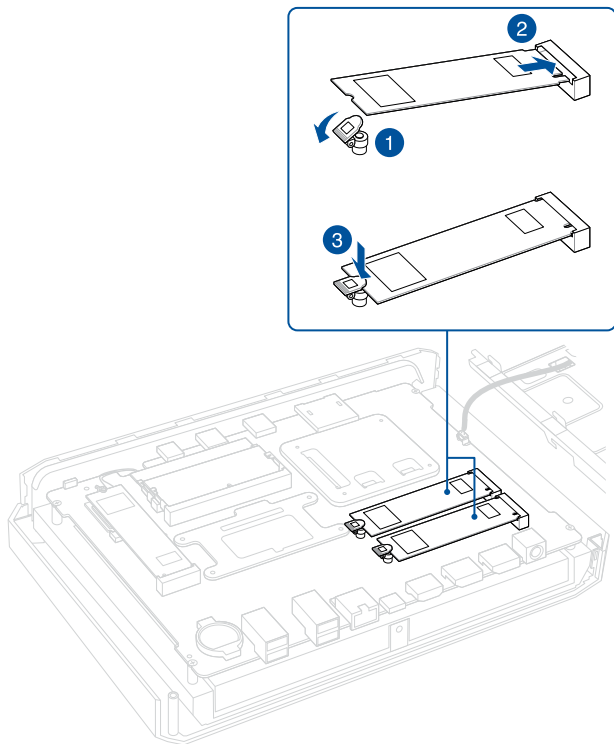
4.4.1 M.2 slot with Q-latch

1. Insert the M.2 module into the M.2 slot on the system board.
2. Rotate the Q-Latch clockwise to secure the M.2 module in place.



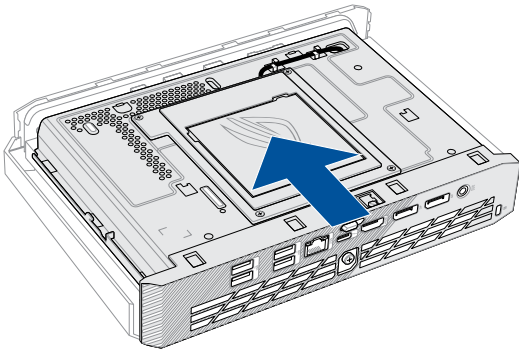
4.4.2 M.2 slot with clip

1. Flip open the clip.
2. Insert the M.2 module into the M.2 slot on the system board.
3. Close the clip to secure the M.2 module in place.

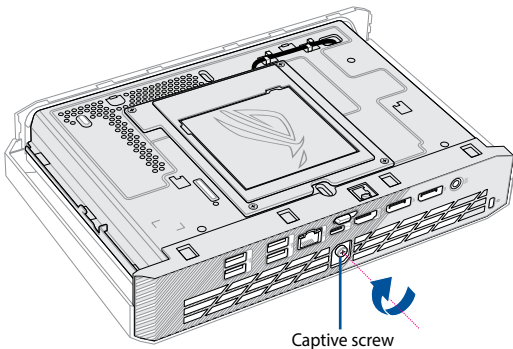


4.5 Closing system

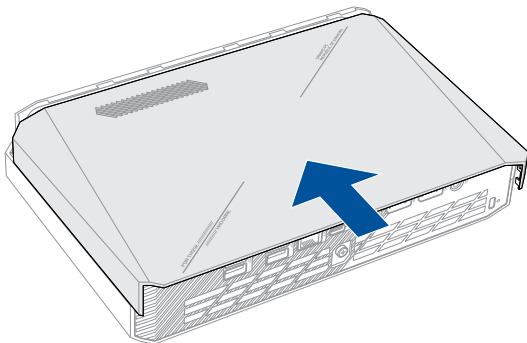
1. Align the rear plate and top shield module to the system chassis, then push the rear plate and top shield module towards the front of the system. Make sure the rear IO openings are properly aligned to the rear IO ports.



2. Secure the rear plate and top shield module to the system chassis using the captive screw.



3. Align the top cover to the system chassis, then push the top cover towards the front of the system until the top cover latch lock clicks into the locked position.



5. Technical references

5.1 Signal Tables for the Connectors and Header

IMPORTANT! Only the following connectors and headers have overcurrent protection:

- Rear USB Type A and USB Type-C®
- Front USB
- Internal power header
- DC Vin jack

All other connectors and headers are not overcurrent protected and should connect only to devices inside the system's chassis, such as fans and internal peripherals. Do not use these connectors or headers to power devices external to the system's chassis. A fault in the load presented by the external devices could cause damage to the computer, the power cable, and the external devices themselves.

Furthermore, improper connection of USB header single wire connectors may eventually overload the overcurrent protection and cause damage to the system.

5.1.1 M.2 2280 Module Connector

SSD support is provided via PCIe Gen4 NVMe on CPU attached. Please see the table below for M.2 2280 connector signals.

M.2 2280 Module (Mechanical Key M) Connector			
Pin	Signal Name	Pin	Signal Name
74	3.3V (4A total for pins 74, 72, 70, 18, 16, 14, 12, 4, 2 (0.5A per pin))	75	GND
72	3.3V (4A total for pins 74, 72, 70, 18, 16, 14, 12, 4, 2 (0.5A per pin))	73	GND
70	3.3V (4A total for pins 74, 72, 70, 18, 16, 14, 12, 4, 2 (0.5A per pin))	71	GND
68	SUSCLK(32kHz) (O)(0/3.3V)	69	PEDET (NC-PCIe/GND-SATA)
66	Connector Key	67	N/C
64	Connector Key	65	Connector Key
62	Connector Key	63	Connector Key
60	Connector Key	61	Connector Key
58	N/C	59	Connector Key
56	N/C	57	GND
54	PEWAKE# (I/O)(0/3.3V) or N/C	55	REFCLKP
52	CLKREQ# (I/O)(0/3.3V) or N/C	53	REFCLKN
50	PERST# (O)(0/3.3V) or N/C	51	GND
48	N/C	49	PETp0
46	N/C	47	PETn0
44	N/C	45	GND
42	N/C	43	PERp0
40	N/C	41	PERn0
38	DEVS LP (O)	39	GND
36	N/C	37	PETp1
34	N/C	35	PETn1
32	N/C	33	GND
30	N/C	31	PERp1

(continued on next page)

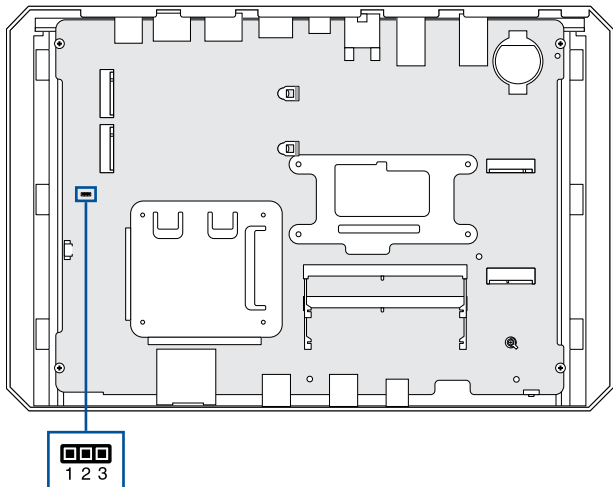
M.2 2280 Module (Mechanical Key M) Connector

Pin	Signal Name	Pin	Signal Name	Signal Name
28	N/C	29	PERn1	
26	N/C	27	GND	
24	N/C	25	PETp2	
22	N/C	23	PETn2	
20	N/C	21	GND	
18	3.3V (4A total for pins 74, 72, 70, 18, 16, 14, 12, 4, 2 (0.5A per pin))	19	PERp2	
16	3.3V (4A total for pins 74, 72, 70, 18, 16, 14, 12, 4, 2 (0.5A per pin))	17	PERn2	
14	3.3V (4A total for pins 74, 72, 70, 18, 16, 14, 12, 4, 2 (0.5A per pin))	15	GND	
12	3.3V (4A total for pins 74, 72, 70, 18, 16, 14, 12, 4, 2 (0.5A per pin))	13	PETp3	
10	DAS/DSS# (I/O)/LED1# (I)(0/3.3V)	11	PETn3	
8	PLN	9	GND	
6	N/C	7	PERp3	
4	3.3V (4A total for pins 74, 72, 70, 18, 16, 14, 12, 4, 2 (0.5A per pin))	5	PERn3	
2	3.3V (4A total for pins 74, 72, 70, 18, 16, 14, 12, 4, 2 (0.5A per pin))	3	GND	
		1	GND	

5.1.2 BIOS Security Jumper

WARNING! Do not move a jumper with the power on. Always turn off the power and unplug the power cord from the computer before changing a jumper setting. Otherwise, the system could be damaged.

The illustration below shows the location of the BIOS security jumper. The 3-pin jumper determines the BIOS Security program's mode.



BIOS Security Jumper Settings

Please refer to the table below for jumper settings for the three modes: normal, lockdown, and configuration.

Function / Mode	Jumper Setting	Configuration
Normal	1-2	The BIOS uses current configuration information and passwords for booting.
Lockdown	2-3	<p>The BIOS uses current configuration information and passwords for booting, except:</p> <ul style="list-style-type: none">• All POST Hotkeys are suppressed (prompts are not displayed and keys are not accepted. For example, F2 for Setup, F10 for the Boot Menu).• Power Button Menu is not available (see Power Button Menu section). <p>BIOS updates are not available except for automatic Recovery due to flash corruption.</p>
Configuration	None	<p>BIOS Recovery Update process if a matching *.bio file is found. Recovery Update can be canceled by pressing the Esc key.</p> <p>If the Recovery Update was canceled or a matching *.bio file was not found, a Config Menu will be displayed. The Config Menu consists of the following (followed by the Power Button Menu selections):</p> <ol style="list-style-type: none">[1] Suppress this menu until the BIOS Security Jumper is replaced.[2] Clear BIOS User and Supervisor Passwords.[3] Reset Intel® AMT to default factory settings.[4] Clear Trusted Platform Module. <hr/> <p>Warning! Data encrypted with the TPM will no longer be accessible if the TPM is cleared.</p> <hr/> <p>[F2] Visual BIOS. [F4] BIOS Recovery. See Power Button Menu section.</p>

5.1.3 Fan Header Current Capability

The table below lists the current capability of the fan headers.

Fan Header	Maximum Available Current
Processor fan	1A

5.1.4 Power Supply Connectors

The system has the following power supply connectors:

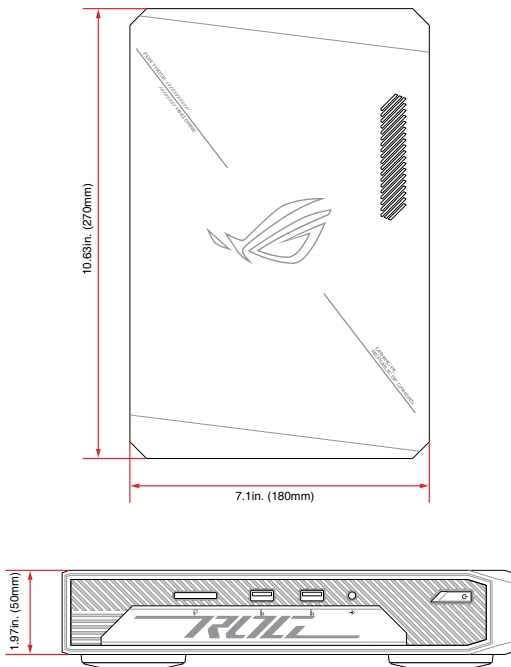
- **External Power Supply** - the kit can be powered through a 19.5v DC connector on the back panel. The back-panel DC connector is compatible with a 7.4mm/OD and 5.0mm/ID plug, where the inner 0.8mm contact is +19.5V DC ($\pm 5\%$) and the shell is GND.

NOTE: External power voltage, 19.5 V DC ($\pm 5\%$), is dependent on the type of power adapter used.

5.2 Mechanical Considerations

5.2.1 Form Factor

The illustration below shows the mechanical form factor for the system. Dimensions are given in inches (millimeters). The outer dimensions are 10.63in. x 7.1in. x 1.97in. (270mm x 180mm x 50mm) (not including feet).



5.3 Thermal Considerations

IMPORTANT!

- Failure to ensure appropriate airflow may result in reduced performance of both the processor and/or voltage regulator or, in some instances, damage to the system.

All responsibility for determining the adequacy of any thermal or system design remains solely with the system integrator. ASUS makes no warranties or representations that merely following the instructions presented in this document will result in a system with adequate thermal performance.

- Ensure that the ambient temperature does not exceed the system's maximum operating temperature. Failure to do so could cause components to exceed their maximum case temperature and malfunction. For information about the maximum operating temperature, see the environmental specifications in **Environmental** section.
 - Ensure that proper airflow is maintained in the processor voltage regulator circuit. Failure to do so may result in shorter than expected product lifetime.
-

5.4 Environmental

The table below lists the environmental specifications for the system.

IMPORTANT! If the external ambient temperature exceeds 35°C, further thermal testing is required to ensure components do not exceed their maximum operating temperature.

Parameter	Specification		
Temperature			
Sustained Storage Limits (i.e. warehouse)	-20°C to +40°C		
Short Duration Limits (i.e. shipping)	-40°C to +60°C		
Ambient Operating - NUC Kit*	0°C to +35°C		
* Processor performance may automatically decrease when the system operates in the top 5°C of the ambient operating temperature ranges above.			
Shock (System)			
Unpackaged	50 g trapezoidal waveform		
	Velocity change of 170 inches/s ²		
Packaged	Free fall package drop machine set to the height determined by the weight of the package.		
	Product Weight (pounds)	Non-palletized Product drop height (inches)	Palletized drop heights (single product) (inches)
	<20	36	N/A
	21-40	30	N/A
	41-80	24	N/A
	81-100	18	12
100-120	12	9	

(continued on next page)

Parameter	Specification
Shock (System)	
Unpackaged/Packaged	Random profile 5 Hz @ 0.001 g ² /Hz to 20 Hz @ 0.01 g ² /Hz (slope up)
	20 Hz to 500Hz @ 0.01 g ² /Hz (flat)
	Input acceleration is 2.20gRMS

NOTE:

- The operating temperature of the system may be determined by measuring the air temperature from the junction of the heatsink fins and fan, next to the attachment screw, in a closed chassis, while the system is in operation.
 - Before attempting to operate this system, the overall temperature of the system must be above the minimum operating temperature specified. It is recommended that the system temperature be at least room temperature before attempting to power on the system. The operating and non-operating environment must avoid condensing humidity.
-

6. BIOS Support

6.1 Introduction

The system uses an AMI BIOS core that is stored in the Serial Peripheral Interface Flash Memory (SPI Flash) and can be updated through multiple methods (see **BIOS Updates** section). The SPI Flash contains the BIOS Setup program, POST, the PCI auto-configuration utility, LAN EEPROM information, and Plug and Play support. The SPI Flash includes a 32 MB flash memory device.

The BIOS Setup program can be used to view and change the identification information and the BIOS settings for the system. The BIOS Setup program is accessed by pressing <F2> after the POST memory test beings and before the operating system boots.

6.2 Legacy USB Support

Legacy USB support enables the USB devices to be used even when the operating system's USB drivers are not yet available. Legacy USB support is used to access the BIOS setup program and to install an operating system that supports USB. By default, Legacy USB support is set to Enabled.

To install an operating system that supports USB, verify that Legacy USB support in the BIOS Setup program is set to Enabled and follow the operating system's installation instructions.

6.3 BIOS Updates

The BIOS can be updated using one of the following methods:

- Express BIOS (Windows-based) Update
- F7 Update
- Power Button Menu Update
- iFlash Update
- UEFI Shell Update

6.3.1 BIOS Recovery

It is unlikely that anything will interrupt a BIOS update; however, if an interruption occurs the BIOS could be unstable. The table below lists the drives and media types that can be used for BIOS recovery. The BIOS recovery media does not need to be made bootable.

Media Type	Can be used for BIOS recovery?
Hard disk drive (connected to USB)	Yes
USB flash drive	Yes
NVME SSD (M.2 interface)	Yes

NOTE: Supported file systems for BIOS recovery: NTFS (sparse, compressed, or encrypted files are not supported), FAT32, EXT.

6.4 Boot Options

In the BIOS Setup program, the user can choose to boot from a hard drive, removable driver, or the network. The default setting is for the hard drive to be the first boot device, the removable drive second, and the network third.

NOTE: The network can be selected as a boot device. This selection allows booting from the onboard LAN or a network add-in card with a remote boot ROM installed. Pressing the <F12> key during POST automatically forces booting from the LAN. To use this key during POST, the User Access Level in the BIOS Setup program's Security menu must be set to Full.

6.4.1 Boot Device Selection During Post

Pressing the <F10> key during POST causes a boot device menu to be displayed. The menu displays the list of available boot devices.

6.4.2 Power Button Menu

As an alternative to Configuration Mode or normal POST hotkeys, the user can use the power button to access a menu with BIOS and boot options. The Power Button Menu is accessible via the following sequence:

1. System is in S4/S5 (not G3).
2. User pushes the power button and holds it down for 3 seconds.
3. The Front Panel Power Button LED will be on for the first 3 seconds. After 3 seconds, the LED will begin to blink in the following pattern: 0.25 seconds off, 0.25 seconds on, 0.25 seconds off to signal the user to release the power button.
4. User releases the power button before the 4-second shutdown override. If this boot path is taken, the BIOS will use default settings, ignoring settings in VPD where possible. At the point where Setup Entry/Boot would be in the normal boot path, the BIOS will display the following prompt and wait for a keystroke:

If an unrecognized key is hit, then the BIOS will do nothing and wait for another keystroke. If one of the listed hotkeys is hit, the BIOS will follow the indicated boot path. Password requirements must still be honored.

Power Button Menu Options		
Keystroke	Option	Description
[ESC]	Normal Boot	-
[F2]	BIOS Setup Menu	-
[F3]	Disable Fast Boot	NOTE: Will only be displayed if at least one Fast Boot optimization is enabled.

(continued on next page)

Power Button Menu Options

Keystroke	Option	Description
[F4]	BIOS Recovery	<p>The BIOS will search for a matching .CAP file from the \EFI folder in the supported media with the supported file system. If a matching recovery capsule is found, the BIOS will display the following:</p> <p>BIOS will Recover to <BIOSID> in 20 seconds. [ESC] Cancel Recovery</p> <p>Recovery will proceed if not canceled via the ESC key within 20 seconds. The BIOS shall display the recovery progress. If a BIOS .CAP file was not detected (or the BIOS Recovery was canceled) then the BIOS will reset the system and continue normally to POST.</p>
[F5]	Restore BIOS Settings	<p>The BIOS will restore the current setup settings and the current defaults to the build time defaults in the case of a boot issue caused by setup variable changes.</p>
[F7]	Update BIOS	<p>BIOS Update during the BDS phrase. The BIOS will update independent of any OS loading and provides a menu UI accessible during boot up. This is not a recovery tool and will not overwrite a corrupt BIOS or ME firmware.</p>
[F9]	Remote Assistance	<p>NOTE: Will only be displayed if Remote Assistance is supported.</p>
[F10]	Enter Boot Menu	-
[F12]	Network Boot	-

6.5 Boot Options

The BIOS includes security features that restrict access to the BIOS Setup program and who can boot the computer. A Supervisor and User password can be set for the BIOS Setup program and for booting the computer, with the following restrictions:

- The Supervisor password gives unrestricted access to view and change all the Setup options in the BIOS Setup program. This is Supervisor Mode.
- The User password gives restricted access to view and change Setup options in the BIOS Setup program. This is User Mode.
- If only the Supervisor password is set, pressing the <Enter> key at the password prompt of the BIOS Setup program allows the user restricted access to Setup.
- If both the Supervisor and User passwords are set, users can enter either the Supervisor or User password to access Setup. Users have access to Setup regardless to which password is used.
- Setting the User password restricts who can boot the computer. The password prompt will be displayed before the computer boots. If only the Supervisor password is set, the computer boots without asking for a password. If both passwords are set, the user can enter either password to boot the computer.
- For enhanced security, use different passwords for the Supervisor and User passwords.
- Valid password characters are A-Z, a-z, 0-9, and special characters. Passwords may be up to 20 characters in length.
- To clear a set password, enter a blank password after entering the existing password.

The table below shows the effects of setting the Supervisor password and User password. This table is for reference only and is not displayed on the screen.

Password Set	Neither	Supervisor only	User only	Supervisor and User set
Supervisor Mode	Any user can change all options	Can change all options	N/A	Can change all options
User Mode	Any user can change all options	Can change a limited number of options	Can change all options	Can change a limited number of options
Setup Options	None	Supervisor Password	Enter Password Clear User Password	Supervisor Password Enter Password
Password to Enter Setup	None	Supervisor	User	Supervisor or User
Password During Boot	None	None	User	Supervisor or User

6.6 BIOS Error Messages

Error Message	Explanation
CMOS Battery Failure	The battery may be losing power. Replace the battery soon.
CMOS Checksum Error	The CMOS checksum is incorrect. CMOS memory may have been corrupted. Run Setup to reset values.
Memory Size Decreased	Memory size has decreased since the last boot. If no memory was removed, then the memory may be bad.
CMOS Timer Not Set	The battery may be losing power. Replace the battery soon.
Processor Thermal Trip	Processor overheated.
Auto RTC Reset	The system triggers RTC clear to recover the system back to the normal condition from consecutive boot failure.

