

Doc. No:

Date: 2023/12

Rev. :

Chassis Service Manual

Model: GT502



Authorize by

Review by

Originator by

Form No :

COPYRIGHT INFORMATION

No part of this manual, including the products and software described in it, may be reproduced, transmitted, transcribed, stored in a retrieval system, or translated into any language in any form or by any means, except documentation kept by the purchaser for backup purposes, without the express written permission of ASUSTeK COMPUTER INC. (“ASUS”).

ASUS PROVIDES THIS MANUAL “AS IS” WITHOUT WARRANTY OF ANY KIND, EITHER EXPRESS OR IMPLIED, INCLUDING BUT NOT LIMITED TO THE IMPLIED WARRANTIES OR CONDITIONS OF MERCHANTABILITY OR FITNESS FOR A PARTICULAR PURPOSE. IN NO EVENT SHALL ASUS, ITS DIRECTORS, OFFICERS, EMPLOYEES OR AGENTS BE LIABLE FOR ANY INDIRECT, SPECIAL, INCIDENTAL, OR CONSEQUENTIAL DAMAGES (INCLUDING DAMAGES FOR LOSS OF PROFITS, LOSS OF BUSINESS, LOSS OF USE OR DATA, INTERRUPTION OF BUSINESS AND THE LIKE), EVEN IF ASUS HAS BEEN ADVISED OF THE POSSIBILITY OF SUCH DAMAGES ARISING FROM ANY DEFECT OR ERROR IN THIS MANUAL OR PRODUCT.

Products and corporate names appearing in this manual may or may not be registered trademarks or copyrights of their respective companies, and are used only for identification or explanation and to the owners’ benefit, without intent to infringe.

SPECIFICATIONS AND INFORMATION CONTAINED IN THIS MANUAL ARE FURNISHED FOR INFORMATIONAL USE ONLY, AND ARE SUBJECT TO CHANGE AT ANY TIME WITHOUT NOTICE, AND SHOULD NOT BE CONSTRUED AS A COMMITMENT BY ASUS. ASUS ASSUMES NO RESPONSIBILITY OR LIABILITY FOR ANY ERRORS OR INACCURACIES THAT MAY APPEAR IN THIS MANUAL, INCLUDING THE PRODUCTS AND SOFTWARE DESCRIBED IN IT. Copyright © 2023 ASUSTeK COMPUTER INC. All Rights Reserved.

LIMITATION OF LIABILITY

Circumstances may arise where because of a default on ASUS’ part or other liability, you are entitled to recover damages from ASUS. In each such instance, regardless of the basis on which you are entitled to claim damages from ASUS, ASUS is liable for no more than damages for bodily injury (including death) and damage to real property and tangible personal property; or any other actual and direct damages resulted from omission or failure of performing legal duties under this Warranty Statement, up to the listed contract price of each product.

ASUS will only be responsible for or indemnify you for loss, damages or claims based in contract, tort or infringement under this Warranty Statement.

This limit also applies to ASUS’ suppliers and its reseller. It is the maximum for which ASUS, its suppliers, and your reseller are collectively responsible.

UNDER NO CIRCUMSTANCES IS ASUS LIABLE FOR ANY OF THE FOLLOWING: (1) THIRD-PARTY CLAIMS AGAINST YOU FOR DAMAGES; (2) LOSS OF, OR DAMAGE TO, YOUR RECORDS OR DATA; OR (3) SPECIAL, INCIDENTAL, OR INDIRECT DAMAGES OR FOR ANY ECONOMIC CONSEQUENTIAL DAMAGES (INCLUDING LOST PROFITS OR SAVINGS), EVEN IF ASUS, ITS SUPPLIERS OR YOUR RESELLER IS INFORMED OF THEIR POSSIBILITY.

SERVICE AND SUPPORT Visit our multi-language website at <https://www.asus.com/support/>

Contents

- [90DC0090-B0000C Black left side door](#)
- [90DC0093-B0000C White left side door](#)
- [90DC0090-B0001C Black right side door](#)
- [90DC0093-B0001C White right side door](#)
- [90DC0090-B0004C Black FIO module](#)
- [90DC0093-B0004C White FIO module](#)
- [90DC0090-B0005C Black front panel](#)
- [90DC0093-B0005C White front panel](#)
- [90DC0090-B000AC Front light board](#)
- [90DC0090-B000EC Black top filter](#)
- [90DC0093-B000EC White top filter](#)
- [90DC0090-B000HC Black top cover](#)
- [90DC0093-B000HC White top cover](#)
- [90DC0090-B001EC Black bottom filter](#)
- [90DC0093-B001EC White bottom filter](#)
- [90DC0090-B002EC Black right filters](#)
- [90DC0093-B002EC White right filters](#)
- [90DC0090-B0007C Black accessory box](#)
- [90DC0093-B0007C White accessory box](#)
- [90DC0090-B0008C Black box](#)
- [90DC0093-B0008C White box](#)
- [FAQ](#)

90DC0090-B0000C

GT502 LEFT SIDE DOOR BLK/CSC | Black left side door

Fully-assembled. (Consists of Gray glass*1, Upper steel strip*1, Double-sided tape for upper steel strip*1, Bottom steel strip*1, Double-sided tape for bottom steel strip-1*1, Double-sided tape for bottom steel strip-2*1, Rear steel strip*1, Double-sided tape for rear steel strip*1, Front foam pad*1, Mylar insulation*1, Warning sticker*1)



90DC0093-B0000C

GT502 LEFT SIDE DOOR WHT/CSC | White left side door

Fully-assembled. (Consists of Ultra-clear glass*1, Upper steel strip*1, Double-sided tape for upper steel strip*1, Bottom steel strip*1, Double-sided tape for bottom steel strip-1*1, Double-sided tape for bottom steel strip-2*1, Rear steel strip*1, Double-sided tape for rear steel strip*1, Front foam pad*1, Mylar insulation*1, Warning sticker*1)



90DC0090-B0001C

GT502 RIGHT SIDE DOOR BLK/CSC | Black right side door

Fully-assembled. (Consists of Right side door*1, Upper latch*2, Lower latch*3, Large filter*1, Medium filter*1, Small filter*1, Countersunk screws*10)



90DC0093-B0001C

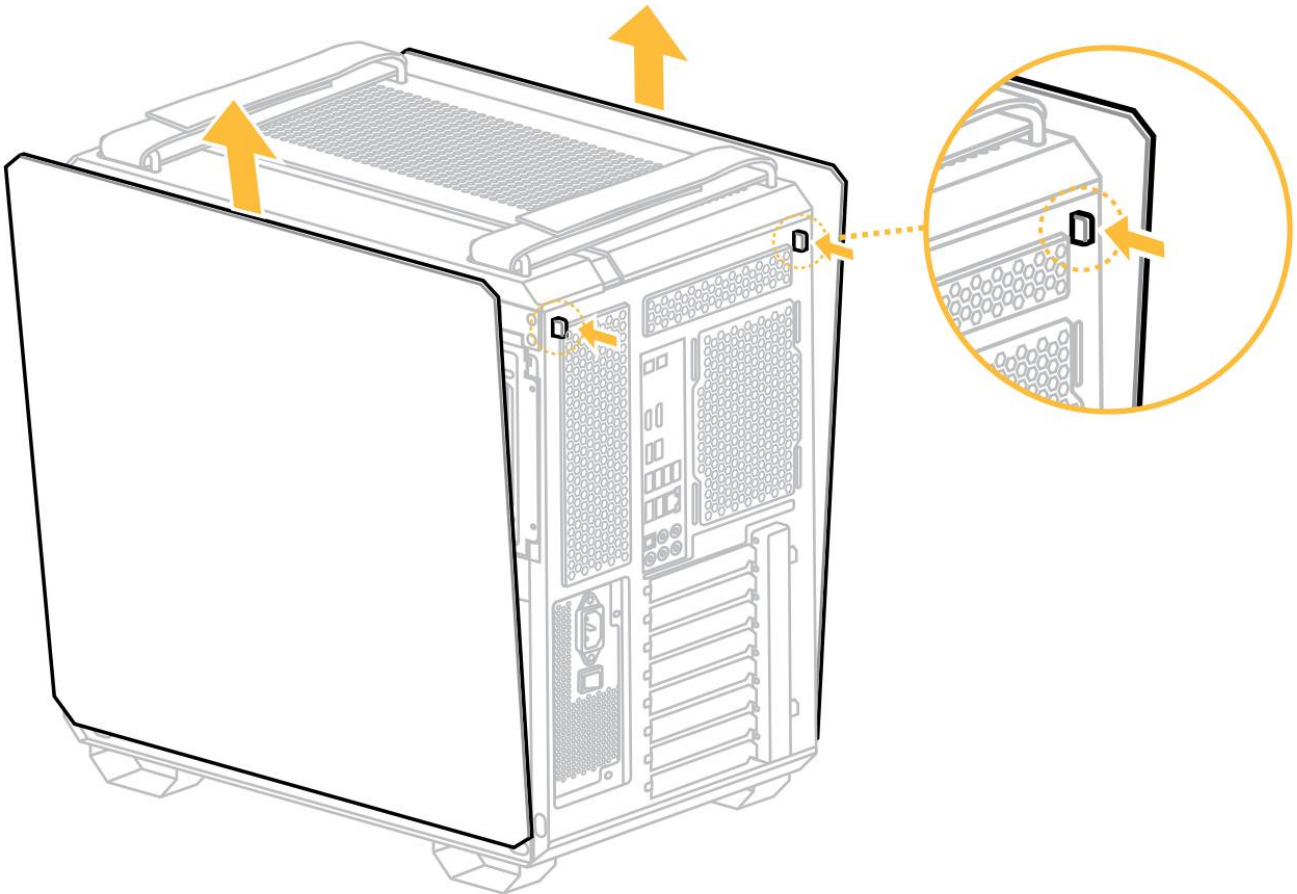
GT502 RIGHT SIDE DOOR WHT/CSC | White right side door

Fully-assembled. (Consists of Right side door*1, Upper latch*2, Lower latch*3, Large filter*1, Medium filter*1, Small filter*1, Countersunk screws*10)



Disassembly method:

***Please handle with care when disassembling and assembling the glass side panel to avoid collision/drop/heavy pressure.**



90DC0090-B0004C

GT502 FIO MODULE BLK/CSC | Black FIO module

Fully-assembled. (Consists of Base*1, Cover plate*1, Power button*1, Reset button*1, LED button*1, Switch cable*1)

FAQ: [FIO buttons and ports not working](#), [Case lighting not working](#)



90DC0093-B0004C

GT502 FIO MODULE WHT/CSC | White FIO module

Fully-assembled. (Consists of Base*1, Cover plate*1, Power button*1, Reset button*1, LED button*1, Switch cable*1)

FAQ: [FIO buttons and ports not working](#), [Case lighting not working](#)



90DC0090-B0005C

GT502 FRONT PANEL BLK/CSC | Black front panel

Fully-assembled. (Consists of Gray glass*1, Upper steel strip*1, Bottom steel strip*1, Double-sided tape for upper and bottom steel strips*2, Left and right steel strips*2, Double-sided tape for left and right steel strips*2)



90DC0093-B0005C

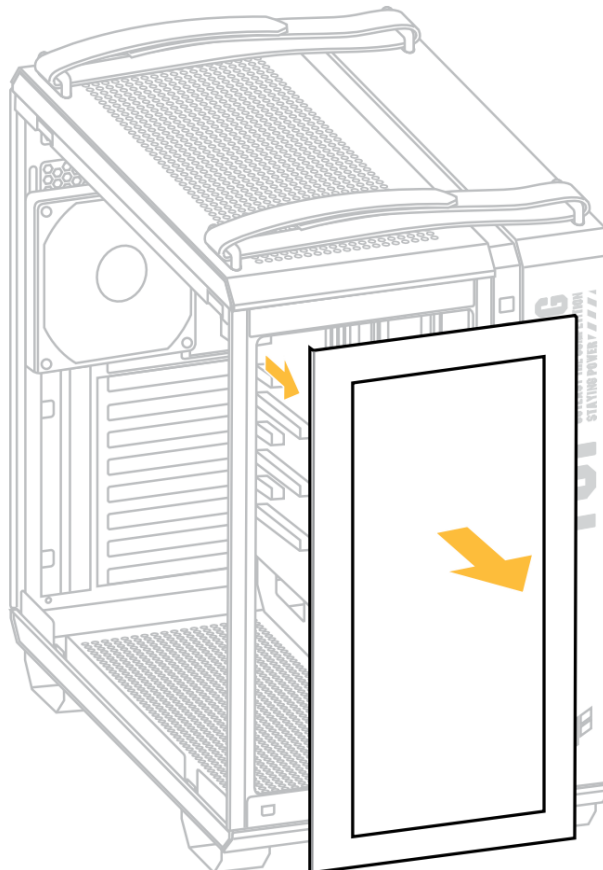
GT502 FRONT PANEL WHT/CSC | White front panel

Fully-assembled. (Consists of Ultra-clear glass*1, Upper steel strip*1, Bottom steel strip*1, Double-sided tape for upper and bottom steel strips*2, Left and right steel strips*2, Double-sided tape for left and right steel strips*2)



Disassembly method:

***Please handle with care when disassembling and assembling the glass side panel to avoid collision/drop/heavy pressure.**



90DC0090-B000AC

GT502 FRONT ARGB LIGHT BRD/CSC | Front light board

FAQ: [Case lighting not working](#)



90DC0090-B000EC

GT502 TOP FILTER BLK/CSC | Black top filter



90DC0093-B000EC

GT502 TOP FILTER WHT/CSC | White top filter



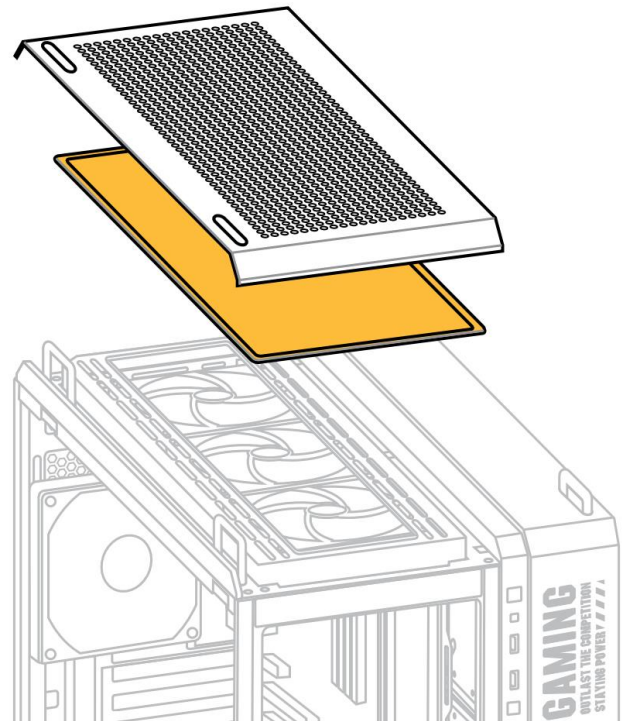
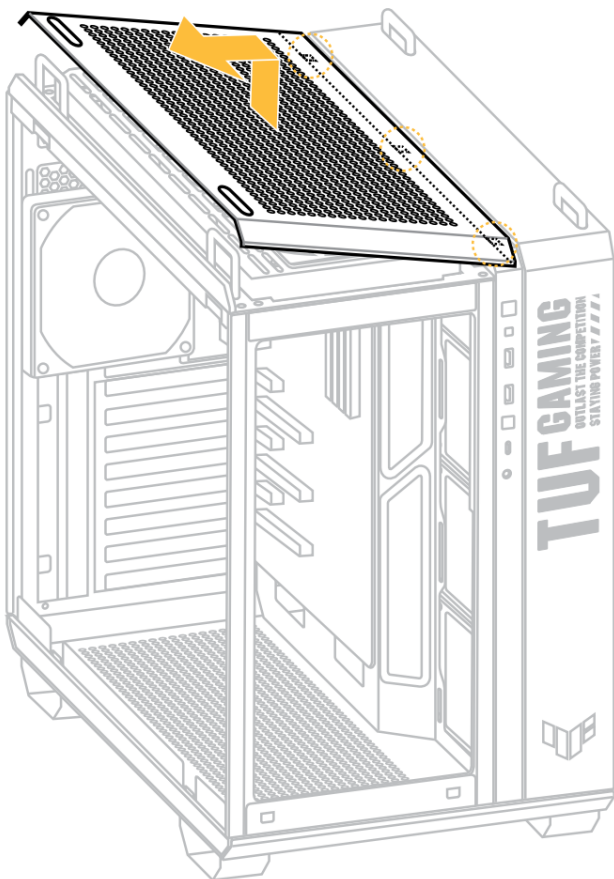
90DC0090-B000HC

GT502 TOP COVER BLK/CSC | Black top cover



90DC0093-B000HC

GT502 TOP COVER WHT/CSC | White top cover



90DC0090-B001EC

GT502 BOTTOM FILTER BLK/CSC | Black bottom filter

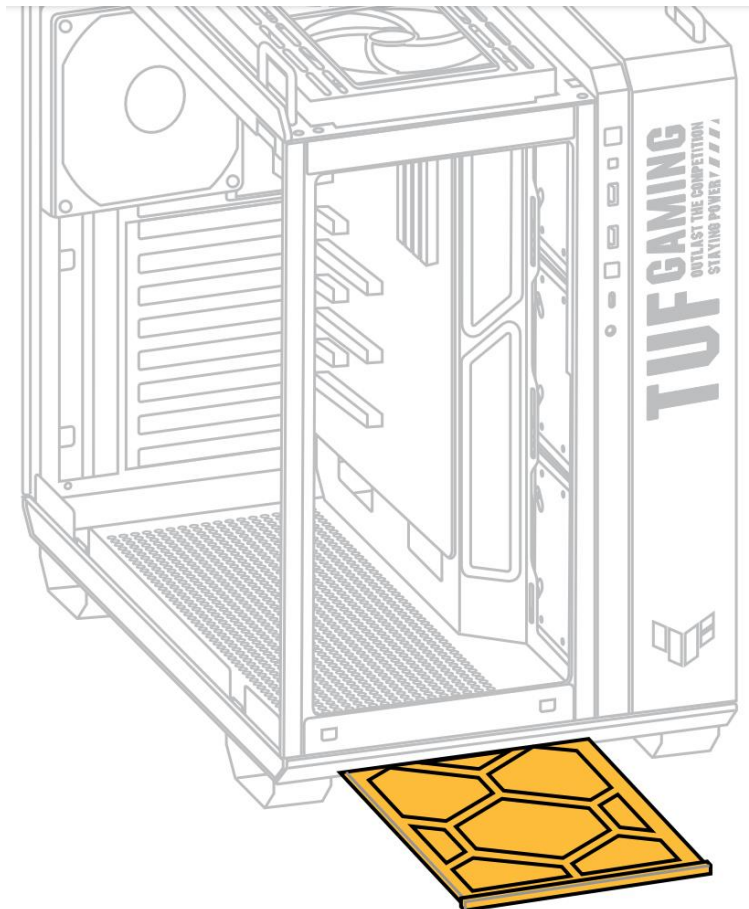
Disassembly method: Simply pull it out. It has a specific orientation, so make sure not to install them upside down.



90DC0093-B001EC

GT502 BOTTOM FILTER WHT/CSC | White bottom filter

Disassembly method: Simply pull it out. It has a specific orientation, so make sure not to install them upside down.



90DC0090-B002EC

GT502 RIGHT FILTER SET BLK/CSC | Black right filters

Contents: ①Large filter*1 ②Medium filter*1 ③Small filter*1



90DC0093-B002EC

GT502 RIGHT FILTER SET WHT/CSC | White right filters

Contents: ①Large filter*1 ②Medium filter*1 ③Small filter*1



90DC0090-B0007C

GT502 ACCESSORY BOX BLK/CSC | Black accessory box

Contents: PSU / 3.5" drive screws*20, Motherboard / 3.5" drive screws / 2.5" drive screws*25, Standoff tool*1, Cable ties*8, Velcro strap*3, Graphics card holder*1, Vertical graphics card mount*1, ARGB controller adapter cable*1

90DC0093-B0007C

GT502 ACCESSORY BOX WHT/CSC | White accessory box

Contents: PSU / 3.5" drive screws*20, Motherboard / 3.5" drive screws / 2.5" drive screws*25, Standoff tool*1, Cable ties*8, Velcro strap*3, Graphics card holder*1, Vertical graphics card mount*1, ARGB controller adapter cable*1



PSU / 3.5" Drive Screws x20



Motherboard / 3.5" Drive Screws / 2.5" Drive Screws x25



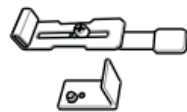
Standoff Tool x1



Cable Ties x8



Velcro Strap x3



Graphics Card Holder x1 set



Vertical Graphics Card Mount x1



ARGB Controller Adapter Cable x1

90DC0090-B0008C

GT502 CARTON BLK/CSC | Black box

90DC0093-B0008C

GT502 CARTON WHT/CSC | White box

FAQ:

1.FIO buttons and ports not working - Related components: [Black FIO module](#), [White FIO module](#)

- ①Ensure that the cables connecting the FIO buttons and ports to the motherboard are properly connected. Sometimes, these cables can come loose or get disconnected, leading to functionality issues.
- ②Reconnecting the cables can resolve poor connections. Gently disconnect all the cables, wait for a while, and then plug them back into the corresponding headers on the motherboard.
- ③If reconnecting the cables does not solve the issue, please replace the FIO module.

2.Case lighting not working - Related components: [Black FIO module](#), [White FIO module](#), [Front light board](#)

- ①Ensure that the case lighting cables are properly connected to the power source. Test the case lighting with a different PSU, connect the case lighting to a known working PSU to determine if the lighting functions properly.
- ②Verify if the RGB controller is correctly connected. Make sure that the connecting cable of the controller is correctly connected with the RGB header of the motherboard.
- ③Two types of lighting control of GT502 (1) Self-control (2) Sync up with MB Lighting
If the LED button on the FIO panel is unable to switch the lighting control, please replace the FIO module.