



Remote Management LAN Card

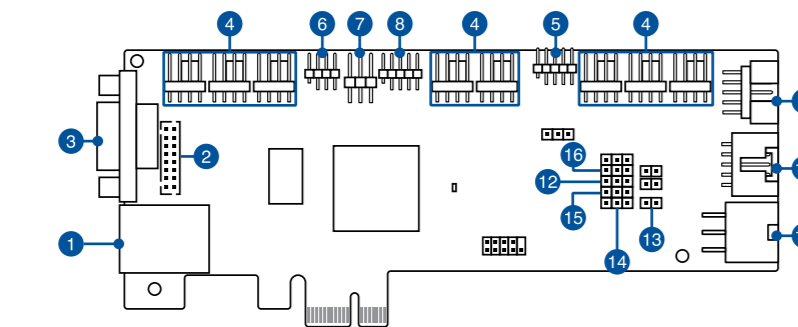
IPMI expansion card

Quick Start Guide

Product specifications

Chipset	ASPEED VIDEO PROCESSOR AST2600A3-GP
Interface	PCIe 3.0 x1 interface
VGA	1 x D-sub supports max. resolution 1920 x 1200 @ 60Hz
External connectors	1 x D-Sub 1 x LAN (RJ45) port
Internal connectors	8 x fan headers 1 x 6-pin PSU connector 1 x BMC header 1 x LAN IP mode switch jumper 1 x SMART_PSU switch jumper 1 x SPI header 1 x PM_BUS header 1 x USB 2.0 connector 1 x VGA header 1 x Panel header(links to PWR/RST header of motherboard and chassis) 3 x T-sensor headers 1 x BMC switch jumper 1 x VGA switch jumper 1 x LOC switch jumper 1 x BMC Indicator LED
Accessories	1 x BMC cable 1 x SPI cable 1 x Power On/Off cable 1 x Reset cable 2 x 2-pin 2.54 pitch header to 2-pin 2.0 pitch adapter cable 1 x USB 2.0 cable 1 x Half-height bracket 1 x IPMI TPM ADAPTER 1 x Quick Start Guide
Operating System	Windows® 10 - 64 bit, Windows® 11, Linux OS including Cent OS, Redhat, and Ubuntu
Dimensions	6.4 inch x 2.7 inch (162mm x 68.95mm)

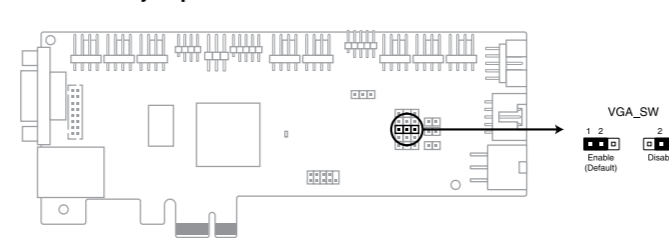
Product Features



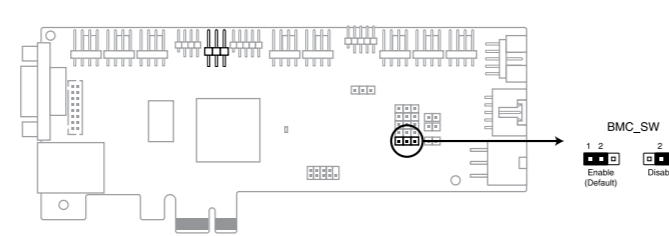
- 1 Realtek 1G LAN connector
- 2 Onboard VGA header
- 3 VGA connector
- 4 Fan headers 1-8
- 5 SPI header (connects to IPMI TPM adapter with cable for burning BIOS)
- 6 PANEL header (connects to motherboard and chassis PANEL to control power/reset functions)
- 7 T_SENSOR headers 1-3 (for temperature measuring)
- 8 BMC header (connects to motherboard BMC header)
- 9 USB header (connects to motherboard USB 2.0 front header)
- 10 PSU PM_BUS header (connects to power supply)
- 11 6-pin PSU connector (connects to PCIe power +12V)
- 12 VGA switch jumper (to turn on/off the display; default set to On)
- 13 LOC switch jumper (keeps heartbeat LED lit up)
- 14 BMC switch jumper (turns on/off the BMC card)
- 15 SMART_PSU switch jumper (controls alert)
- 16 LAN IP mode switch jumper (controls LAN IP - Dynamic/Fixed(10.10.10.10))

Jumper configurations

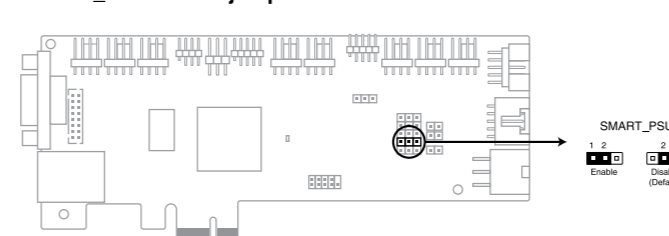
VGA switch jumper



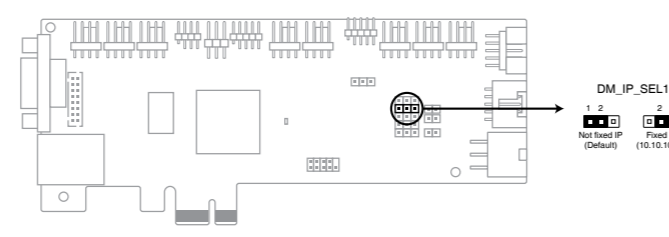
BMC switch jumper



SMART_PSU switch jumper



LAN IP mode switch jumper



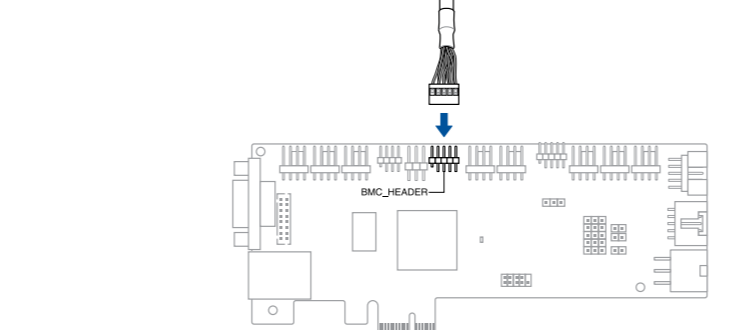
Installing the IPMI expansion card



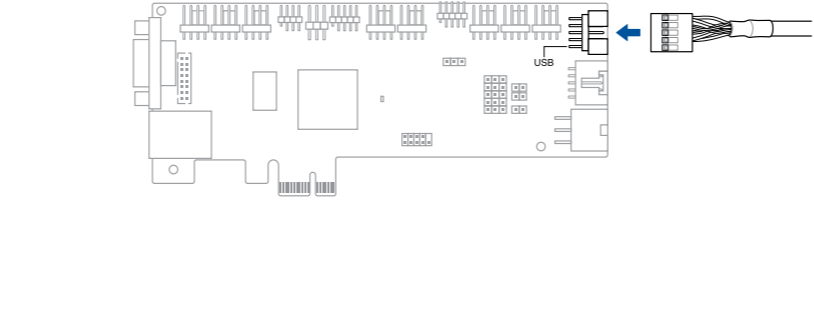
The cables connectors are notched to fit in only one orientation. Do not force the cable connectors onto the board headers/connectors in the incorrect orientation.



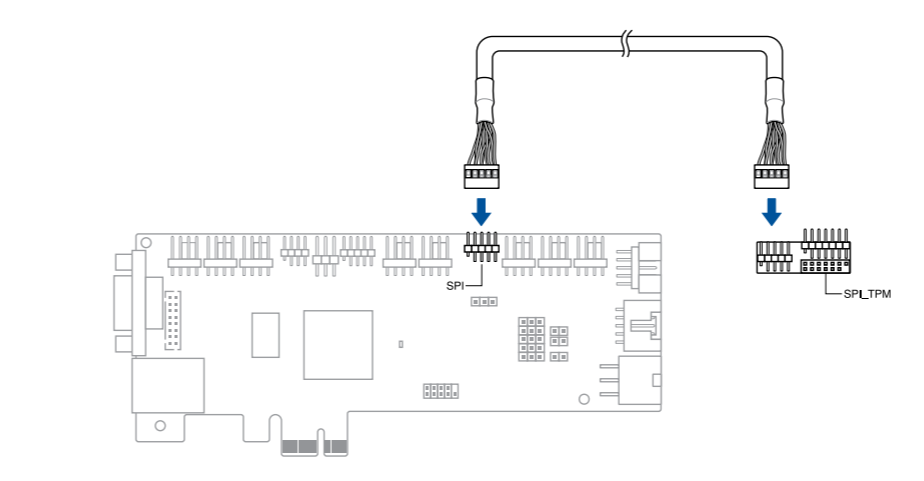
Only connect this header if your motherboard features a **BMC_HEADER** header, please refer to the user manual that came with your motherboard package for more details.



The USB connector (**USB**) provides the IPMI expansion card with power, data transfer, and keyboard and mouse function for KVM remote control. Ensure the USB connector (**USB**) on the IPMI expansion card is connected to the USB 2.0 connector on your motherboard.

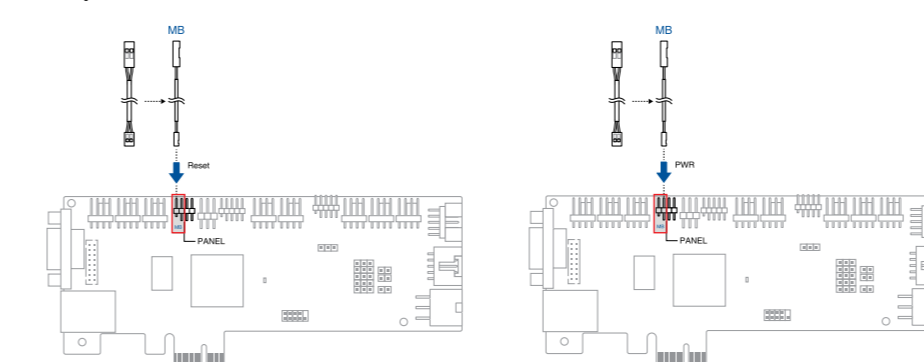


Only connect this header if your motherboard features a **SPI_TPM** header, please refer to the user manual that came with your motherboard package for more details.



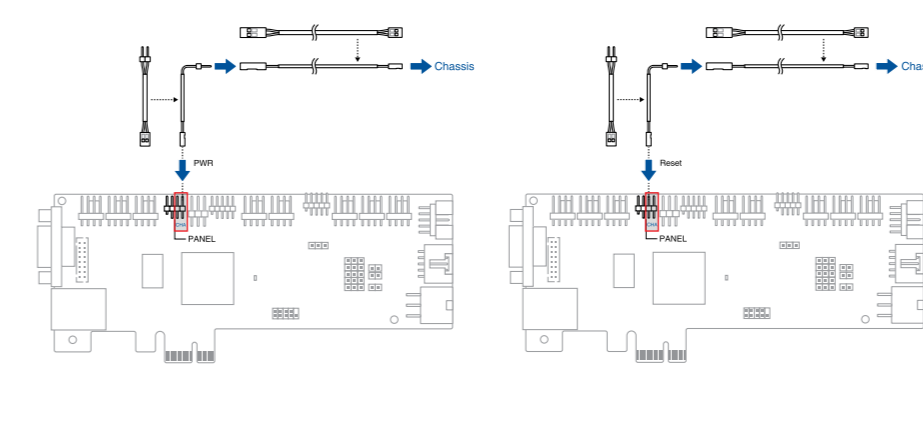
The Power On/Off cable and Reset cable are connected in opposite orientations when connecting them to the Panel header on your motherboard. Make sure the black cable is connected to the **Ground/GND** pin. For more information on the pin definitions of the Panel header on your motherboard, please refer to your motherboard's user guide.

MB pins

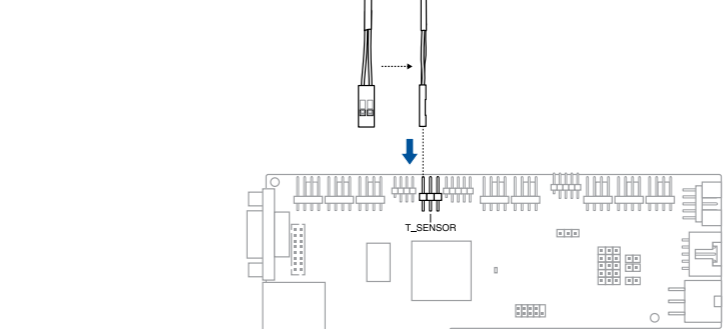


The cables should be connected to the IPMI expansion card such that the red cable is closest to the PCB.

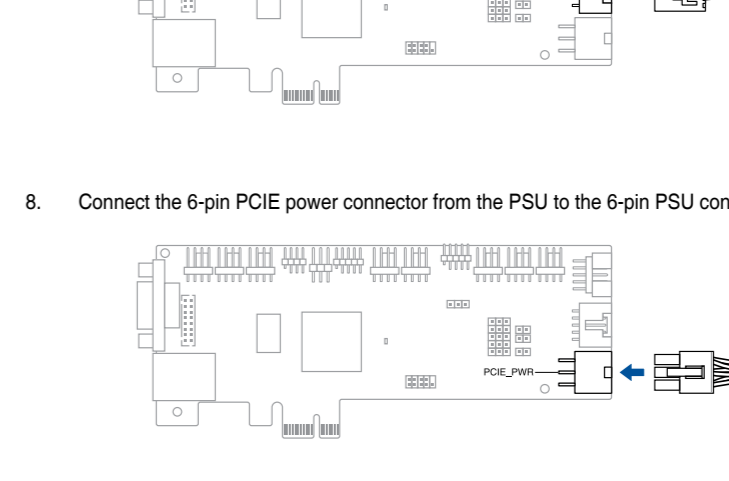
CHA pins



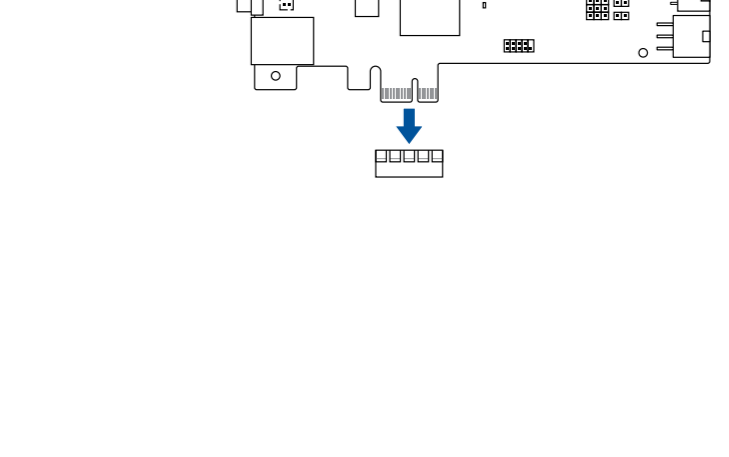
The T-Sensor headers (**T_SENSOR**) allow you to connect T-sensor cables for temperature monitoring functions.



The cables should be connected to the IPMI expansion card such that the red cable is closest to the PCB.



Connect the 6-pin PCIe power connector from the PSU to the 6-pin PSU connector (PCIE_PWR).



For more information please scan the codes below:

IPMI Expansion Card User Manual



FAQ



BMC Header information



