

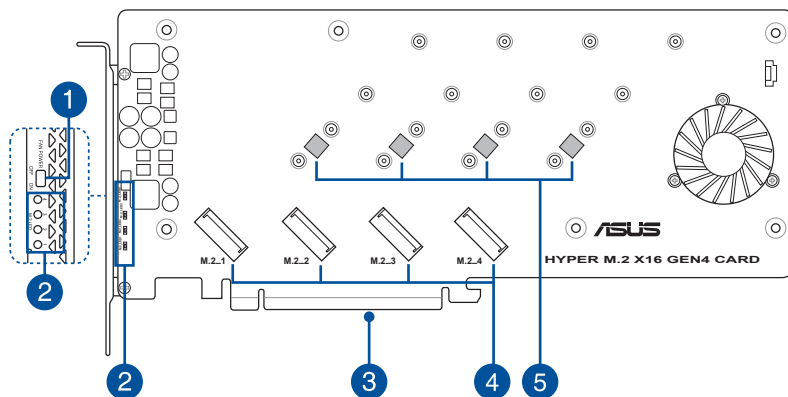


华硕 HYPER M.2 X16 Gen 4 卡 快速用户手册

C16246
第一版
2020年1月



连接端口与功能



-
- 1** 风扇电源开关
这个开关可以让您开启或关闭风扇。

-
- 2** **M.2 读取 LED 指示灯**
这些指示灯闪烁时，表示数据正在从 M.2 存储设备读取或是正在写入 M.2 存储设备中。

-
- 3** **PCI Express 界面**
这个是将华硕 HYPER M.2 X16 GEN 4 卡插入主板 PCI Express 插槽的界面。请确认已将华硕 HYPER M.2 X16 GEN 4 卡安装至 PCI Express 4.0/3.0 插槽中，以获得最佳效果。

-
- 4** **PCIe M.2 存储设备连接端口**
这些连接端口可以让您安装 PCIe M.2 存储设备。

-
- 5** **预装 M.2 橡胶垫**
这些 1mm 的橡胶垫已预先安装至华硕 HYPER M.2 X16 GEN 4 卡上，且兼容于双面的 M.2 存储设备。
-

规格概述

界面	PCI Express 4.0 x16 界面
外部连接端口	4 x M.2 插槽 3 (Key M) , 支持类型 2242/2260/2280/22110 的存储设备 (支持 PCIe 4.0) * * 仅支持 PCIe M.2 存储设备
LED 指示灯与开关	1 x M.2 风扇电源开关 4 x M.2 读取 LED 指示灯
散热解决方案	带有散热器的活动式风扇
RAID 支持	支持 PCIe Gen 4 的 AMD TRX40 / X570 系列主板型号 支持具备 PCIe Gen 3 带宽且支持 RAID on CPU 功能的主板型号
尺寸 (长 x 宽 x 高)	27 x 12.2 x 1.5 cm
兼容型号	欲了解最新的兼容型号列表, 请至 www.asus.com.cn 查询

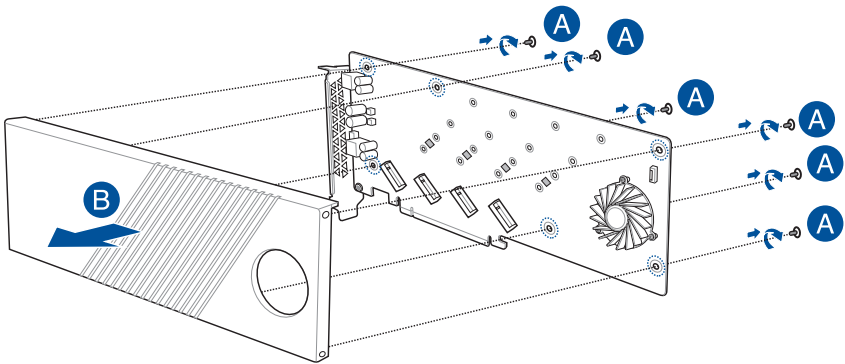


- 规格若有任何变更, 恕不另行通知。请至华硕官网查询最新的规格信息。
- 包装盒内不含 M.2 存储设备。

开始使用前

安装 M.2 存储设备至华硕 HYPER M.2 X16 GEN 4 卡上：

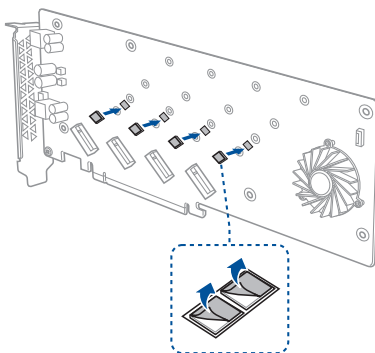
1. 卸除固定于 HYPER M.2 X16 GEN 4 卡上盖的 6 个螺丝，再将上盖移开置于一旁。



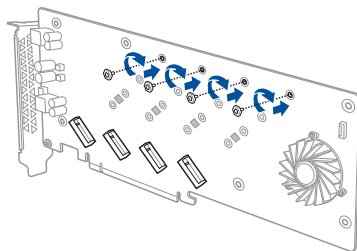
2. (可选择) 若您欲安装单面的 M.2 存储设备, 请先撕掉产品随附的 M.2 橡胶垫, 并将其黏贴至华硕 HYPER M.2 X16 GEN 4 卡上预先安装的 M.2 橡胶垫的上方。



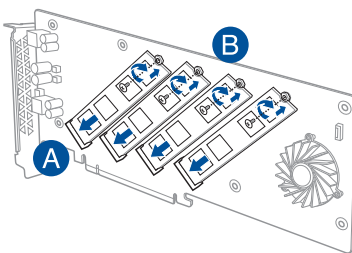
当您安装双面 M.2 存储设备时, 不需要再安装产品随附的 M.2 橡胶垫。原先已黏贴于卡上的 1mm 橡胶垫即可适用于双面 M.2 存储设备。



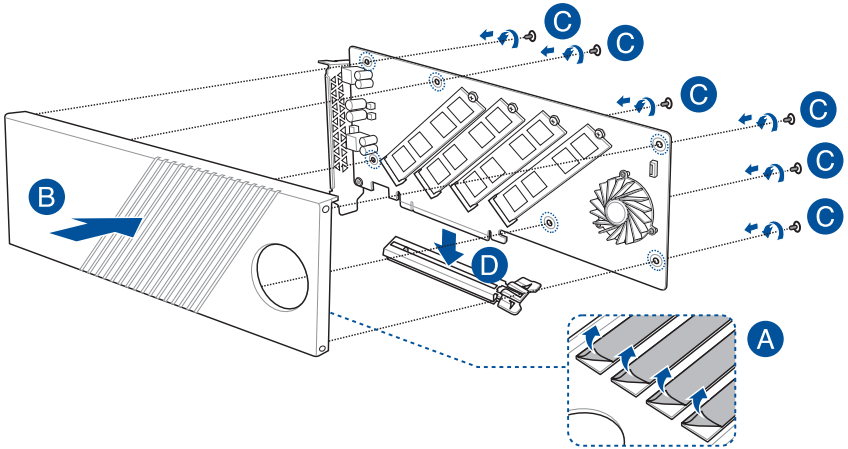
3. 将螺丝锁入华硕 HYPER M.2 X16 GEN 4 卡。



4. 将 M.2 存储设备插入 PCIe M.2 存储设备连接端口 (A), 然后再将产品随附的螺丝固定 M.2 存储设备 (B)。



5. 将散热片的胶膜撕开，用先前卸除的上盖螺丝将上盖固定至华硕 HYPER M.2 X16 GEN 4 卡，接着将华硕 HYPER M.2 X16 GEN 4 卡安装至 PCI Express 4.0/3.0 插槽。



6. 于开机自检 (POST) 间进入 BIOS 设置程序以设置 BIOS :

- Intel® X299 系列主板：进入 Advanced > CPU Storage Configuration，然后将已安装 Hyper M.2 X16 卡的 PCIe 插槽设置为以下项目：
 - [Hyper M.2 X16(VROC)] 此项目为要做 VROC (Virtual RAID on CPU) 设置时使用。
 - [Hyper M.2 X16(DATA)] 此设置为在不做 RAID 的状态，最高可支持四个 M.2 存储设备。
- 其他 Intel® 系列主板：进入 Advanced > Onboard Devices Configuration，然后将 Hyper M.2 X16 设置为 [Enabled]。
- AMD 主板：进入 Advanced > Onboard Devices Configuration，然后将已安装 Hyper M.2 X16 卡的 PCIe 插槽设置为 [PCIe RAID Mode]。



欲了解更多已安装至 M.2 存储设备上 RAID 设置的更多信息，请扫描右方的 QR code 以参考 RAID 设置用户手册 (RAID Configuration Guide) 中的详细说明。



附录

Notices

FCC Compliance Information

Responsible Party: Asus Computer International
Address: 48720 Kato Rd., Fremont, CA 94538, USA
Phone / Fax No: (510)739-3777 / (510)608-4555

This device complies with part 15 of the FCC Rules. Operation is subject to the following two conditions: (1) This device may not cause harmful interference, and (2) this device must accept any interference received, including interference that may cause undesired operation.

This equipment has been tested and found to comply with the limits for a Class B digital device, pursuant to part 15 of the FCC Rules. These limits are designed to provide reasonable protection against harmful interference in a residential installation. This equipment generates, uses and can radiate radio frequency energy and, if not installed and used in accordance with the instructions, may cause harmful interference to radio communications. However, there is no guarantee that interference will not occur in a particular installation. If this equipment does cause harmful interference to radio or television reception, which can be determined by turning the equipment off and on, the user is encouraged to try to correct the interference by one or more of the following measures:

- Reorient or relocate the receiving antenna.
- Increase the separation between the equipment and receiver.
- Connect the equipment into an outlet on a circuit different from that to which the receiver is connected.
- Consult the dealer or an experienced radio/TV technician for help.

Compliance Statement of Innovation, Science and Economic Development Canada (ISED)

This device complies with Innovation, Science and Economic Development Canada licence exempt RSS standard(s). Operation is subject to the following two conditions: (1) this device may not cause interference, and (2) this device must accept any interference, including interference that may cause undesired operation of the device.

CAN ICES-3(B)/NMB-3(B)

Déclaration de conformité de Innovation, Sciences et Développement économique Canada (ISED)

Le présent appareil est conforme aux CNR d'Innovation, Sciences et Développement économique Canada applicables aux appareils radio exempts de licence. L'exploitation est autorisée aux deux conditions suivantes : (1) l'appareil ne doit pas produire de brouillage, et (2) l'utilisateur de l'appareil doit accepter tout brouillage radioélectrique subi, même si le brouillage est susceptible d'en compromettre le fonctionnement.

CAN ICES-3(B)/NMB-3(B)

VCCI: Japan Compliance Statement

Class B ITE

この装置は、クラスB情報技術装置です。この装置は、家庭環境で使用することを目的としていますが、この装置がラジオやテレビジョン受信機に近接して使用されると、受信障害を引き起こすことがあります。

取扱説明書に従って正しい取り扱いをして下さい。

VCCI-B

KC: Korea Warning Statement

B급 기기 (가정용 방송통신기자재)

이 기기는 가정용(B급) 전자파적합기기로서 주로 가정에서 사용하는 것을 목적으로 하며, 모든 지역에서 사용할 수 있습니다.

Declaration of compliance for product environmental regulation

ASUS follows the green design concept to design and manufacture our products, and makes sure that each stage of the product life cycle of ASUS product is in line with global environmental regulations. In addition, ASUS disclose the relevant information based on regulation requirements.

Please refer to <http://csr.asus.com/Compliance.htm> for information disclosure based on regulation requirements ASUS is complied with:

EU REACH and Article 33

Complying with the REACH (Registration, Evaluation, Authorisation, and Restriction of Chemicals) regulatory framework, we published the chemical substances in our products at ASUS REACH website at <http://csr.asus.com/english/REACH.htm>.

EU RoHS

This product complies with the EU RoHS Directive. For more details, see <http://csr.asus.com/english/article.aspx?id=35>

India RoHS

This product complies with the “India E-Waste (Management) Rules, 2016” and prohibits use of lead, mercury, hexavalent chromium, polybrominated biphenyls (PBBs) and polybrominated diphenyl ethers (PBDEs) in concentrations exceeding 0.1% by weight in homogenous materials and 0.01% by weight in homogenous materials for cadmium, except for the exemptions listed in Schedule II of the Rule.

Vietnam RoHS

ASUS products sold in Vietnam, on or after September 23, 2011, meet the requirements of the Vietnam Circular 30/2011/TT-BCT.

Các sản phẩm ASUS bán tại Việt Nam, vào ngày 23 tháng 9 năm 2011 trở về sau, đều phải đáp ứng các yêu cầu của Thông tư 30/2011/TT-BCT của Việt Nam.

Turkey RoHS

AEEE Yönetmeli ine Uygundur

ASUS Recycling/Takeback Services

ASUS recycling and takeback programs come from our commitment to the highest standards for protecting our environment. We believe in providing solutions for you to be able to responsibly recycle our products, batteries, other components as well as the packaging materials. Please go to <http://csr.asus.com/english/Takeback.htm> for detailed recycling information in different regions.



DO NOT throw the motherboard in municipal waste. This product has been designed to enable proper reuse of parts and recycling. This symbol of the crossed out wheeled bin indicates that the product (electrical and electronic equipment) should not be placed in municipal waste. Check local regulations for disposal of electronic products.



DO NOT throw the mercury-containing button cell battery in municipal waste. This symbol of the crossed out wheeled bin indicates that the battery should not be placed in municipal waste.

Regional notice for California



WARNING

Cancer and Reproductive Harm -
www.P65Warnings.ca.gov

English ASUSTeK Computer Inc. hereby declares that this device is in compliance with the essential requirements and other relevant provisions of related Directives. Full text of EU declaration of conformity is available at: www.asus.com/support

Français ASUSTeK Computer Inc. déclare par la présente que cet appareil est conforme aux critères essentiels et autres clauses pertinentes des directives concernées. La déclaration de conformité de l'UE peut être téléchargée à partir du site Internet suivant : www.asus.com/support

Deutsch ASUSTeK Computer Inc. erklärt hiermit, dass dieses Gerät mit den wesentlichen Anforderungen und anderen relevanten Bestimmungen der zugehörigen Richtlinien übereinstimmt. Der gesamte Text der EU-Konformitätserklärung ist verfügbar unter: www.asus.com/support

Italiano ASUSTeK Computer Inc. con la presente dichiara che questo dispositivo è conforme ai requisiti essenziali e alle altre disposizioni pertinenti con le direttive correlate. Il testo completo della dichiarazione di conformità UE è disponibile all'indirizzo: www.asus.com/support

Русский Компания ASUS заявляет, что это устройство соответствует основным требованиям и другим соответствующим условиям соответствующих директив. Подробную информацию, пожалуйста, смотрите на www.asus.com/support

Български С настоящото ASUSTeK Computer Inc. декларира, че това устройство е в съответствие със съществени изисквания и другите приложими постановления на свързаните директиви. Пълният текст на декларацията за съответствие на ЕС е достъпна на адрес: www.asus.com/support

Hrvatski ASUSTeK Computer Inc. ovim izjavljuje da je ovaj uređaj skladan s bitnim zahtjevima i ostalim odgovarajućim odredbama vezanih direktiva. Cijeli tekst EU izjave o skladnosti dostupan je na: www.asus.com/support

Čeština Společnost ASUSTeK Computer Inc. tímto prohlašuje, že toto zařízení splňuje základní požadavky a další příslušná ustanovení souvisejících směrnic. Plné znění prohlášení o shodě EU je k dispozici na adrese: www.asus.com/support

Dansk ASUSTeK Computer Inc. erklærer hermed, at denne enhed er i overensstemmelse med hovedkravene og andre relevante bestemmelser i de relaterede direktiver. Hele EU-overensstemmelseserklæringen kan findes på: www.asus.com/support

Nederlands ASUSTeK Computer Inc. verklaart hierbij dat dit apparaat voldoet aan de essentiële vereisten en andere relevante bepalingen van de verwante richtlijnen. De volledige tekst van de EU-verklaring van conformiteit is beschikbaar op: www.asus.com/support

Eesti Käesolevaga kinnitab ASUSTeK Computer Inc, et see seade vastab asjakohaste direktiivide oluliste nõuetele ja teisteles asjaspeetuvatele sätetele. EL vastavusdeklaratsiooni täielik tekst on saadaval järgmisel aadressil: www.asus.com/support

Suomi ASUSTeK Computer Inc ilmoittaa täten, että tämä laite on asiaankuuluvien direktiivien olennaisten vaatimusten ja muiden tätä koskevien säädösten mukainen. EU-yhdenmukaisuusilmoituksen koko teksti on luettavissa osoitteessa: www.asus.com/support

Ελληνικά Με το παρόν, η ASUSTeK Computer Inc. δηλώνει ότι αυτή η συσκευή συμμορφώνεται με τις θεμελιώδεις απαιτήσεις και άλλες σχετικές διατάξεις των Οδηγιών της ΕΕ. Το πλήρες κείμενο της δήλωσης συμμόρφωσής είναι διαθέσιμο στη διεύθυνση: www.asus.com/support

Magyar Az ASUSTeK Computer Inc. ezennel kijelenti, hogy ez az eszköz megfelel a kapcsolódó irányelvek lényeges követelményeinek és egyéb vonatkozó rendelkezéseinek. Az EU megfeleléségi nyilatkozat teljes szövege innen letölthető: www.asus.com/support

Latviski ASUSTeK Computer Inc. ar šo paziņo, ka šī ierīce atbilst saistīto Direktīvu būtiskajām prasībām un citiem citiem saistošajiem nosacījumiem. Pilns ES atbilstības paziņojuma teksts pieejams šeit: www.asus.com/support

Lietuviai „ASUSTeK Computer Inc.“ šiuo tvirtina, kad šis įrenginys atitinka pagrindinius reikalavimus ir kitas svarbias susijusių direktyvų nuostatas. Visą ES atitikties deklaracijos tekstą galima rasti: www.asus.com/support

Norsk ASUSTeK Computer Inc. erklærer herved at denne enheten er i samsvar med hovedsaklige krav og andre relevante forskrifter i relaterte direktiver. Fullstendig tekst for EU-samsvarserklæringen finnes på: www.asus.com/support

Polski Firma ASUSTeK Computer Inc. niniejszym oświadcza, że urządzenie to jest zgodne z zasadniczymi wymogami i innymi właściwymi postanowieniami powiązanych dyrektyw. Pełny tekst deklaracji zgodności UE jest dostępny pod adresem: www.asus.com/support

Português A ASUSTeK Computer Inc. declara que este dispositivo está em conformidade com os requisitos essenciais e outras disposições relevantes das Diretivas relacionadas. Texto integral da declaração da UE disponível em: www.asus.com/support

Română ASUSTeK Computer Inc. declară că acest dispozitiv se conformează cerințelor esențiale și altor prevederi relevante ale directivelor conexe. Textul complet al declarației de conformitate a Uniunii Europene se găsește la: www.asus.com/support

Srpski ASUSTeK Computer Inc. ovim izjavljuje da je ovaj uređaj u saglasnosti sa osnovnim zahtevima i drugim relevantnim odredbama povezanih Direktiva. Pun tekst EU deklaracije o usaglasnosti je dostupan da adresi: www.asus.com/support

Slovensky Spoločnosť ASUSTeK Computer Inc. týmto vyhlasuje, že toto zariadenie vyhovuje základným požiadavkám a ostatným príslušným ustanoveniam príslušných smerníc. Celý text vyhlásenia o zhode pre štáty EÚ je dostupný na adrese: www.asus.com/support

Slovenščina ASUSTeK Computer Inc. izjavlja, da je ta naprava skladna z bistvenimi zahtevami in drugimi ustreznimi določbami povezanih direktiv. Celotno besedilo EU-izjave o skladnosti je na voljo na spletnem mestu: www.asus.com/support

Español Por la presente, ASUSTeK Computer Inc. declara que este dispositivo cumple los requisitos básicos y otras disposiciones pertinentes de las directivas relacionadas. El texto completo de la declaración de la UE de conformidad está disponible en: www.asus.com/support

Svenska ASUSTeK Computer Inc. förklarar härmed att denna enhet överensstämmer med de grundläggande kraven och andra relevanta föreskrifter i relaterade direktiv. Fulltext av EU-försäkran om överensstämmelse finns på: www.asus.com/support

Українська ASUSTeK Computer Inc. заявляє, що цей пристрій відповідає основним вимогам та іншим відповідним положенням відповідних Директив. Повний текст декларації відповідності стандартам ЄС доступний на: www.asus.com/support

Türkçe ASUSTeK Computer Inc. bu aygıtın temel gereksinimlerle ve ilişkinli Yönergeleerin diğer ilgili koşullarına uyumlu olduğunu beyan eder. AB uygunluk bildirimini tam metni şu adreste bulunabilir: www.asus.com/support

Bosanski ASUSTeK Computer Inc. ovim izjavljuje da je ovaj uređaj uskladen sa bitnim zahtjevima i ostalim odgovarajućim odredbama vezanih direktiva. Cijeli tekst EU izjave o uskladenosti dostupan je na: www.asus.com/support

华硕的连接信息

华硕电脑公司（上海）有限公司

ASUSTeK COMPUTER (SHANGHAI) CO.,LTD

地址：上海市闵行区金都路 5077 号
电话：+86-21-54421616
传真：+86-21-54420088
互联网：<http://www.asus.com.cn>

技术支持

电话：400-620-6655
在线支持：<http://www.asus.com.cn/support>

华硕电脑公司 **ASUSTeK COMPUTER INC.**（亚太地区）

地址：台湾台北市北投区立德路 15 号
电话：+886-2-2894-3447
传真：+886-2-2890-7798
全球信息网：www.asus.com

技术支持

电话：+86-21-38429911
传真：+86-21-58668722, ext. 9101#
线上支持：<http://qr.asus.com/techserv>

ASUS COMPUTER INTERNATIONAL（美国）

地址：48720 Kato Rd., Fremont, CA 94538, USA
电话：+1-510-739-3777
传真：+1-510-608-4555
全球信息网：<http://www.asus.com/us/>

技术支持

电话：+1-812-282-2787
传真：+1-812-284-0883
线上支持：<http://qr.asus.com/techserv>

ASUS COMPUTER GmbH（德国/奥地利）

地址：Harkort Str. 21-23, 40880 Ratingen, Germany
传真：+49-2102-959931
全球信息网：<http://www.asus.com/de>
线上连接：<http://eu-rma.asus.com/sales>

技术支持

电话：+49-2102-5789555
传真：+49-2102-959911
线上支持：<http://qr.asus.com/techserv>