



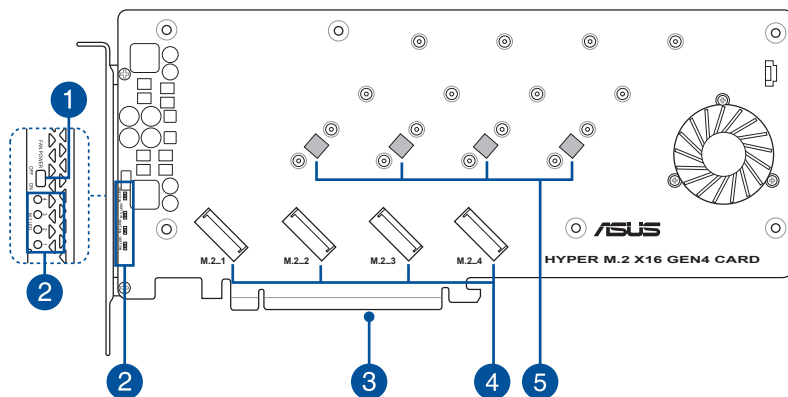
# 華碩 HYPER M.2 X16 Gen 4 卡

## 快速使用手冊

T16246  
第一版  
2020年1月



## 連接埠與功能



- 1 風扇電源開關**  
這個開關可以讓您開啟或關閉風扇。
- 2 M.2 讀取 LED 指示燈**  
這些指示燈閃爍時，表示資料正在從 M.2 儲存裝置讀取或是正在寫入 M.2 儲存裝置中。
- 3 PCI Express 介面**  
這個是將華碩 HYPER M.2 X16 GEN 4 卡插入主機板 PCI Express 插槽的介面。請確認已將華碩 HYPER M.2 X16 GEN 4 卡安裝至 PCI Express 4.0/3.0 插槽中，以獲得最佳效果。
- 4 PCIe M.2 儲存裝置連接埠**  
這些連接埠可以讓您安裝 PCIe M.2 儲存裝置。
- 5 預裝 M.2 橡膠墊**  
這些 1mm 的橡膠墊已預先安裝至華碩 HYPER M.2 X16 GEN 4 卡上，且相容於雙面的 M.2 儲存裝置。

## 規格概述

介面	PCI Express 4.0 x16 介面
外部連接埠	4 x M.2 插槽 3 (Key M) , 支援類型 2242/2260/2280/22110 的儲存裝置 (支援 PCIe 4.0) * * 僅支援 <b>PCIe M.2</b> 儲存裝置
LED 指示燈與開關	1 x M.2 風扇電源開關 4 x M.2 讀取 LED 指示燈
散熱解決方案	帶有散熱器的活動式風扇
RAID 支援	支援 PCIe Gen 4 的 AMD TRX40 / X570 系列主機板型號 支援具備 PCIe Gen 3 頻寬且支援 RAID on CPU 功能的主機板型號
尺寸 (長 x 寬 x 高)	27 x 12.2 x 1.5 cm
相容型號	欲了解最新的相容型號列表, 請至 <a href="http://www.asus.com/tw/">www.asus.com/tw/</a> 查詢

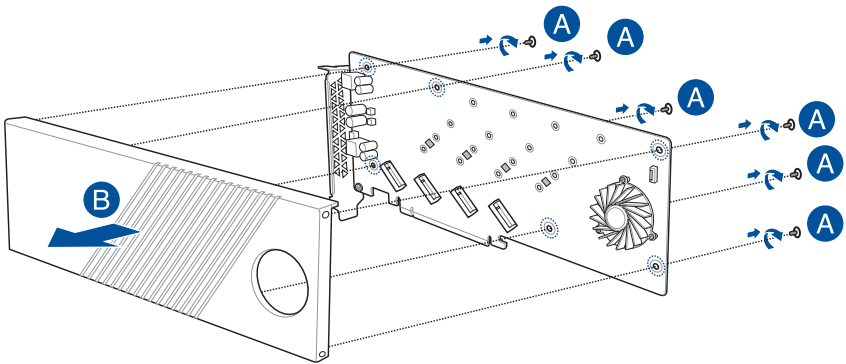


- 規格若有任何變更, 恕不另行通知。請至華碩官網查詢最新的規格資訊。
- 包裝盒內不含 M.2 儲存裝置。

## 開始使用前

安裝 M.2 儲存裝置至華碩 HYPER M.2 X16 GEN 4 卡上：

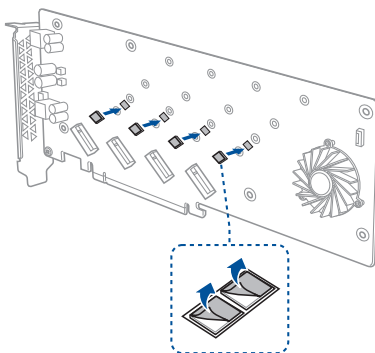
1. 移除固定於 HYPER M.2 X16 GEN 4 卡上蓋的 6 個螺絲，再將上蓋移開置於一旁。



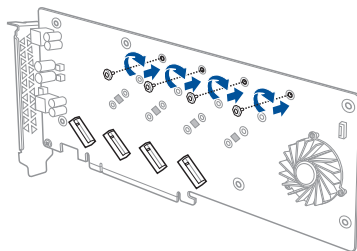
2. (可選擇) 若您欲安裝單面的 M.2 儲存裝置，請先撕掉產品隨附的 M.2 橡膠墊，並將其黏貼至華碩 HYPER M.2 X16 GEN 4 卡上預先安裝的 M.2 橡膠墊的上方。



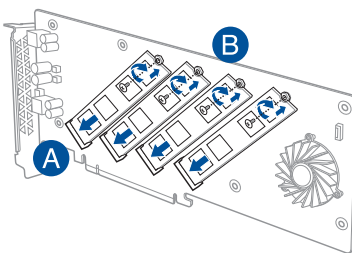
當您安裝雙面 M.2 儲存裝置時，不需要再安裝產品隨附的 M.2 橡膠墊。原先已黏貼於卡上的 1mm 橡膠墊即可適用於雙面 M.2 儲存裝置。



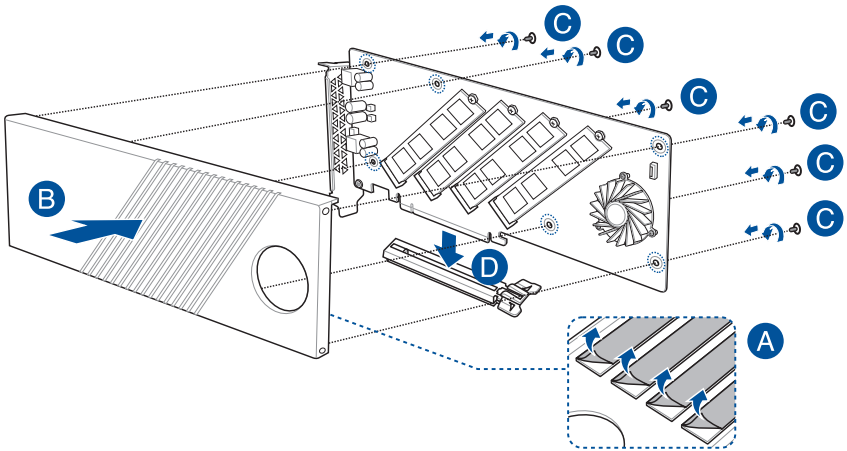
3. 將螺絲鎖入華碩 HYPER M.2 X16 GEN 4 卡。



4. 將 M.2 儲存裝置插入 PCIe M.2 儲存裝置連接埠 (A)，然後再將產品隨附的螺絲固定 M.2 儲存裝置 (B)。



5. 將散熱片的膠膜撕開，用先前移除的上蓋螺絲將上蓋固定至華碩 HYPER M.2 X16 GEN 4 卡，接著將華碩 HYPER M.2 X16 GEN 4 卡安裝至 PCI Express 4.0/3.0 插槽。



6. 於啟動自我檢測 (POST) 間進入 BIOS 設定程式以設定 BIOS :

- Intel® X299 系列主機板：進入 **Advanced > CPU Storage Configuration**，然後將已安裝 Hyper M.2 x16 卡的 PCIe 插槽設定為以下項目：
  - [**Hyper M.2 X16(VROC)**] 此項目為要做 VROC (Virtual RAID on CPU) 設定時使用。
  - [**Hyper M.2 X16(DATA)**] 此項目為在不做 RAID 的狀態，最高可支援四個 M.2 儲存裝置。
- 其他 Intel® 系列主機板：進入 **Advanced > Onboard Devices Configuration**，然後將 **Hyper M.2 X16** 設定為 **[Enabled]**。
- AMD 主機板：進入 **Advanced > Onboard Devices Configuration**，然後將已安裝 Hyper M.2 x16 卡的 PCIe 插槽設定為 **[PCIe RAID Mode]**。



欲了解更多已安裝至 M.2 儲存裝置上 RAID 設定的更多訊息，請掃描右方的 QR code 以參考 **RAID 設定使用手冊 (RAID Configuration Guide)** 中的詳細說明。



# 附錄

## Notices

### FCC Compliance Information

Responsible Party: Asus Computer International  
Address: 48720 Kato Rd., Fremont, CA 94538, USA  
Phone / Fax No: (510)739-3777 / (510)608-4555

This device complies with part 15 of the FCC Rules. Operation is subject to the following two conditions: (1) This device may not cause harmful interference, and (2) this device must accept any interference received, including interference that may cause undesired operation.

This equipment has been tested and found to comply with the limits for a Class B digital device, pursuant to part 15 of the FCC Rules. These limits are designed to provide reasonable protection against harmful interference in a residential installation. This equipment generates, uses and can radiate radio frequency energy and, if not installed and used in accordance with the instructions, may cause harmful interference to radio communications. However, there is no guarantee that interference will not occur in a particular installation. If this equipment does cause harmful interference to radio or television reception, which can be determined by turning the equipment off and on, the user is encouraged to try to correct the interference by one or more of the following measures:

- Reorient or relocate the receiving antenna.
- Increase the separation between the equipment and receiver.
- Connect the equipment into an outlet on a circuit different from that to which the receiver is connected.
- Consult the dealer or an experienced radio/TV technician for help.

### Compliance Statement of Innovation, Science and Economic Development Canada (ISED)

This device complies with Innovation, Science and Economic Development Canada licence exempt RSS standard(s). Operation is subject to the following two conditions: (1) this device may not cause interference, and (2) this device must accept any interference, including interference that may cause undesired operation of the device.

CAN ICES-3(B)/NMB-3(B)

### Déclaration de conformité de Innovation, Sciences et Développement économique Canada (ISED)

Le présent appareil est conforme aux CNR d'Innovation, Sciences et Développement économique Canada applicables aux appareils radio exempts de licence. L'exploitation est autorisée aux deux conditions suivantes : (1) l'appareil ne doit pas produire de brouillage, et (2) l'utilisateur de l'appareil doit accepter tout brouillage radioélectrique subi, même si le brouillage est susceptible d'en compromettre le fonctionnement.

CAN ICES-3(B)/NMB-3(B)

## VCCI: Japan Compliance Statement

### Class B ITE

この装置は、クラスB情報技術装置です。この装置は、家庭環境で使用することを目的としていますが、この装置がラジオやテレビジョン受信機に近接して使用されると、受信障害を引き起こすことがあります。

取扱説明書に従って正しい取り扱いをして下さい。

VCCI-B

## KC: Korea Warning Statement

B급 기기 (가정용 방송통신기자재)

이 기기는 가정용(B급) 전자파적합기기로서 주로 가정에서 사용하는 것을 목적으로 하며, 모든 지역에서 사용할 수 있습니다.

## Declaration of compliance for product environmental regulation

ASUS follows the green design concept to design and manufacture our products, and makes sure that each stage of the product life cycle of ASUS product is in line with global environmental regulations. In addition, ASUS disclose the relevant information based on regulation requirements.

Please refer to <http://csr.asus.com/Compliance.htm> for information disclosure based on regulation requirements ASUS is complied with:

### EU REACH and Article 33

Complying with the REACH (Registration, Evaluation, Authorisation, and Restriction of Chemicals) regulatory framework, we published the chemical substances in our products at ASUS REACH website at <http://csr.asus.com/english/REACH.htm>.

### EU RoHS

This product complies with the EU RoHS Directive. For more details, see <http://csr.asus.com/english/article.aspx?id=35>

### India RoHS

This product complies with the “India E-Waste (Management) Rules, 2016” and prohibits use of lead, mercury, hexavalent chromium, polybrominated biphenyls (PBBs) and polybrominated diphenyl ethers (PBDEs) in concentrations exceeding 0.1% by weight in homogenous materials and 0.01% by weight in homogenous materials for cadmium, except for the exemptions listed in Schedule II of the Rule.

## Vietnam RoHS

ASUS products sold in Vietnam, on or after September 23, 2011, meet the requirements of the Vietnam Circular 30/2011/TT-BCT.

Các sản phẩm ASUS bán tại Việt Nam, vào ngày 23 tháng 9 năm 2011 trở về sau, đều phải đáp ứng các yêu cầu của Thông tư 30/2011/TT-BCT của Việt Nam.

## Turkey RoHS

AEEE Yönetmeli ine Uygundur

## ASUS Recycling/Takeback Services

ASUS recycling and takeback programs come from our commitment to the highest standards for protecting our environment. We believe in providing solutions for you to be able to responsibly recycle our products, batteries, other components as well as the packaging materials. Please go to <http://csr.asus.com/english/Takeback.htm> for detailed recycling information in different regions.



DO NOT throw the motherboard in municipal waste. This product has been designed to enable proper reuse of parts and recycling. This symbol of the crossed out wheeled bin indicates that the product (electrical and electronic equipment) should not be placed in municipal waste. Check local regulations for disposal of electronic products.



DO NOT throw the mercury-containing button cell battery in municipal waste. This symbol of the crossed out wheeled bin indicates that the battery should not be placed in municipal waste.

## Regional notice for California



## WARNING

Cancer and Reproductive Harm -  
[www.P65Warnings.ca.gov](http://www.P65Warnings.ca.gov)



**English** ASUSTeK Computer Inc. hereby declares that this device is in compliance with the essential requirements and other relevant provisions of related Directives. Full text of EU declaration of conformity is available at: [www.asus.com/support](http://www.asus.com/support)

**Français** ASUSTeK Computer Inc. déclare par la présente que cet appareil est conforme aux critères essentiels et autres clauses pertinentes des directives concernées. La déclaration de conformité de l'UE peut être téléchargée à partir du site Internet suivant : [www.asus.com/support](http://www.asus.com/support)

**Deutsch** ASUSTeK Computer Inc. erklärt hiermit, dass dieses Gerät mit den wesentlichen Anforderungen und anderen relevanten Bestimmungen der zugehörigen Richtlinien übereinstimmt. Der gesamte Text der EU-Konformitätserklärung ist verfügbar unter: [www.asus.com/support](http://www.asus.com/support)

**Italiano** ASUSTeK Computer Inc. con la presente dichiara che questo dispositivo è conforme ai requisiti essenziali e alle altre disposizioni pertinenti con le direttive correlate. Il testo completo della dichiarazione di conformità UE è disponibile all'indirizzo: [www.asus.com/support](http://www.asus.com/support)

**Русский** Компания ASUS заявляет, что это устройство соответствует основным требованиям и другим соответствующим условиям соответствующих директив. Подробную информацию, пожалуйста, смотрите на [www.asus.com/support](http://www.asus.com/support)

**Български** С настоящото ASUSTeK Computer Inc. декларира, че това устройство е в съответствие със съществените изисквания и другите приложими постановления на свързаните директиви. Пълният текст на декларацията за съответствие на ЕС е достъпен на адрес: [www.asus.com/support](http://www.asus.com/support)

**Hrvatski** ASUSTeK Computer Inc. ovim izjavljuje da je ovaj uređaj skladan s bitnim zahtjevima i ostalim odgovarajućim odredbama vezanih direktiva. Cijeli tekst EU izjave o skladnosti dostupan je na: [www.asus.com/support](http://www.asus.com/support)

**Čeština** Společnost ASUSTEK Computer Inc. tímto prohlašuje, že toto zařízení splňuje základní požadavky a další příslušná ustanovení souvisejících směrnic. Plné znění prohlášení o shodě EU je k dispozici na adrese: [www.asus.com/support](http://www.asus.com/support)

**Dansk** ASUSTeK Computer Inc. erklærer hermed, at denne enhed er i overensstemmelse med hovedkravene og andre relevante bestemmelser i de relaterede direktiver. Hele EU-overensstemmelseserklæringen kan findes på: [www.asus.com/support](http://www.asus.com/support)

**Nederlands** ASUSTeK Computer Inc. verklaart hierbij dat dit apparaat voldoet aan de essentiële vereisten en andere relevante bepalingen van de verwante richtlijnen. De volledige tekst van de EU-verklaring van conformiteit is beschikbaar op: [www.asus.com/support](http://www.asus.com/support)

**Eesti** Käesolevaga kinnitab ASUSTeK Computer Inc, et see seade vastab asjakohaste direktiivide olulistele nõuetele ja teistele asjassepuutuvatele sätetele. EL vastavusdeklaratsiooni täielik tekst on saadaval järgmisel aadressil: [www.asus.com/support](http://www.asus.com/support)

**Suomi** ASUSTeK Computer Inc ilmoittaa täten, että tämä laite on asiaankuuluvien direktiivien olennaisten vaatimusten ja muiden tätä koskevien säädösten mukainen. EU-yhdenmukaisuusilmoituksen koko teksti on luettavissa osoitteessa: [www.asus.com/support](http://www.asus.com/support)

**Ελληνικά** Με το παρόν, η ASUSTeK Computer Inc. δηλώνει ότι αυτή η συσκευή συμμορφώνεται με τις θεμελιώδεις απαιτήσεις και άλλες σχετικές διατάξεις των Οδηγιών της ΕΕ. Το πλήρες κείμενο της δήλωσης συμμόρφωσης είναι διαθέσιμο στη διεύθυνση: [www.asus.com/support](http://www.asus.com/support)

**Magyar** Az ASUSTeK Computer Inc. ezennel kijelenti, hogy ez az eszköz megfelel a kapcsolódó irányelvek lényeges követelményeinek és egyéb vonatkozó rendelkezéseinek. Az EU megfelelési nyilatkozat teljes szövege innen letölthető: [www.asus.com/support](http://www.asus.com/support)

**Latviski** ASUSTeK Computer Inc. ar šo paziņo, ka šī ierīce atbilst saistīto Direktīvu būtiskajām prasībām un citiem citiem saistošajiem nosacījumiem. Pilns ES atbilstības paziņojuma teksts pieejams šeit: [www.asus.com/support](http://www.asus.com/support)

**Lietuviai** „ASUSTEK Computer Inc.“ šiuo tvirtina, kad šis įrenginys atitinka pagrindinius reikalavimus ir kitas svarbias susijusių direktyvų nuostatas. Visą ES atitikties deklaracijos tekstą galima rasti: [www.asus.com/support](http://www.asus.com/support)

**Norsk** ASUSTeK Computer Inc. erklærer herved at denne enheten er i samsvar med hovedsaklige krav og andre relevante forskrifter i relaterte direktiver. Fullstendig tekst for EU-samsvarserklæringen finnes på: [www.asus.com/support](http://www.asus.com/support)

**Polski** Firma ASUSTEK Computer Inc. niniejszym oświadcza, że urządzenie to jest zgodne z zasadniczymi wymogami i innymi właściwymi postanowieniami powiązanych dyrektyw. Pełny tekst deklaracji zgodności UE jest dostępny pod adresem: [www.asus.com/support](http://www.asus.com/support)

**Português** A ASUSTEK Computer Inc. declara que este dispositivo está em conformidade com os requisitos essenciais e outras disposições relevantes das Diretivas relacionadas. Texto integral da declaração da UE disponível em: [www.asus.com/support](http://www.asus.com/support)

**Română** ASUSTeK Computer Inc. declară că acest dispozitiv se conformează cerințelor esențiale și altor prevederi relevante ale directivelor conexe. Textul complet al declarației de conformitate a Uniunii Europene se găsește la: [www.asus.com/support](http://www.asus.com/support)

**Srpski** ASUSTeK Computer Inc. ovim izjavljuje da je ovaj uređaj u saglasnosti sa osnovnim zahtevima i drugim relevantnim odredbama povezanih Direktiva. Pun tekst EU deklaracije o usaglasnosti je dostupan da adresi: [www.asus.com/support](http://www.asus.com/support)

**Slovensky** Spoločnosť ASUSTEK Computer Inc. týmto vyhlasuje, že toto zariadenie vyhovuje základným požiadavkám a ostatným príslušným ustanoveniam príslušných smerníc. Celý text vyhlásenia o zhode pre štáty EÚ je dostupný na adrese: [www.asus.com/support](http://www.asus.com/support)

**Slovenščina** ASUSTEK Computer Inc. izjavlja, da je ta naprava skladna z bistvenimi zahtevami in drugimi ustreznimi določbami povezanih direktiv. Celotno besedilo EU-izjave o skladnosti je na voljo na spletnem mestu: [www.asus.com/support](http://www.asus.com/support)

**Español** Por la presente, ASUSTEK Computer Inc. declara que este dispositivo cumple los requisitos básicos y otras disposiciones pertinentes de las directivas relacionadas. El texto completo de la declaración de la UE de conformidad está disponible en: [www.asus.com/support](http://www.asus.com/support)

**Svenska** ASUSTEK Computer Inc. förklarar härmed att denna enhet överensstämmer med de grundläggande kraven och andra relevanta föreskrifter i relaterade direktiv. Fulltext av EU-försäkran om överensstämmelse finns på: [www.asus.com/support](http://www.asus.com/support)

**Українська** ASUSTEK Computer Inc. заявляє, що цей пристрій відповідає основним вимогам та іншим відповідним положенням відповідних Директив. Повний текст декларації відповідності стандартам ЄС доступний на: [www.asus.com/support](http://www.asus.com/support)

**Türkçe** ASUSTEK Computer Inc., bu aygıtın temel gereksinimlerle ve ilişkinli Yönergeleerin diğer ilgili koşullarına uyumlu olduğunu beyan eder. AB uygunluk bildirimini tam metni şu adreste bulunabilir: [www.asus.com/support](http://www.asus.com/support)

**Bosanski** ASUSTEK Computer Inc. ovim izjavljuje da je ovaj uređaj uskladen sa bitnim zahtjevima i ostalim odgovarajućim odredbama vezanih direktiva. Cijeli tekst EU izjave o uskladenosti dostupan je na: [www.asus.com/support](http://www.asus.com/support)

## 華碩的連絡資訊

### 華碩電腦公司 ASUSTeK COMPUTER INC. (台灣)

地址：台灣臺北市北投區立德路 150 號 4 樓  
電話：+886-2-2894-3447  
傳真：+886-2-2890-7798  
全球資訊網：<http://www.asus.com/tw/>

#### 技術支援

電話：+886-2-2894-3447 (0800-093-456)  
線上支援：<http://www.asus.com/tw/support/>

### 華碩電腦公司 ASUSTeK COMPUTER INC. (亞太地區)

地址：台灣臺北市北投區立德路 15 號  
電話：+886-2-2894-3447  
傳真：+886-2-2890-7798  
全球資訊網：[www.asus.com](http://www.asus.com)

#### 技術支援

電話：+86-21-38429911  
傳真：+86-21-58668722, ext. 9101#  
線上支援：<http://qr.asus.com/techserv>

### ASUS COMPUTER INTERNATIONAL (美國)

地址：48720 Kato Rd., Fremont, CA 94538, USA  
電話：+1-510-739-3777  
傳真：+1-510-608-4555  
全球資訊網：<http://www.asus.com/us/>

#### 技術支援

電話：+1-812-282-2787  
傳真：+1-812-284-0883  
線上支援：<http://qr.asus.com/techserv>

### ASUS COMPUTER GmbH (德國/奧地利)

地址：Harkort Str. 21-23, 40880 Ratingen, Germany  
傳真：+49-2102-959931  
全球資訊網：<http://www.asus.com/de>  
線上連絡：<http://eu-rma.asus.com/sales>

#### 技術支援

電話：+49-2102-5789555  
傳真：+49-2102-959911  
線上支援：<http://qr.asus.com/techserv>