

H610M-IM-A

Micro-ATX, LGA1700 socket for the 14th / 13th / 12th Gen CPU, H610 chipset, 2*U-DIMM, 1*PCIe x16, 1*PCIe x4, 2*PCI, 1*M.2 Slot, 1* Mini PCIe, 4*SATA , 9*USB, 6*COM, Triple Display



Features

- Two U-DIMM up to 64GB DDR4
- Supports 3 displays configuration by multiple interface: VGA/DP/HDMI1/HDMI2
- 7-year longevity supply
- Wide temperature Range: 0~60°C

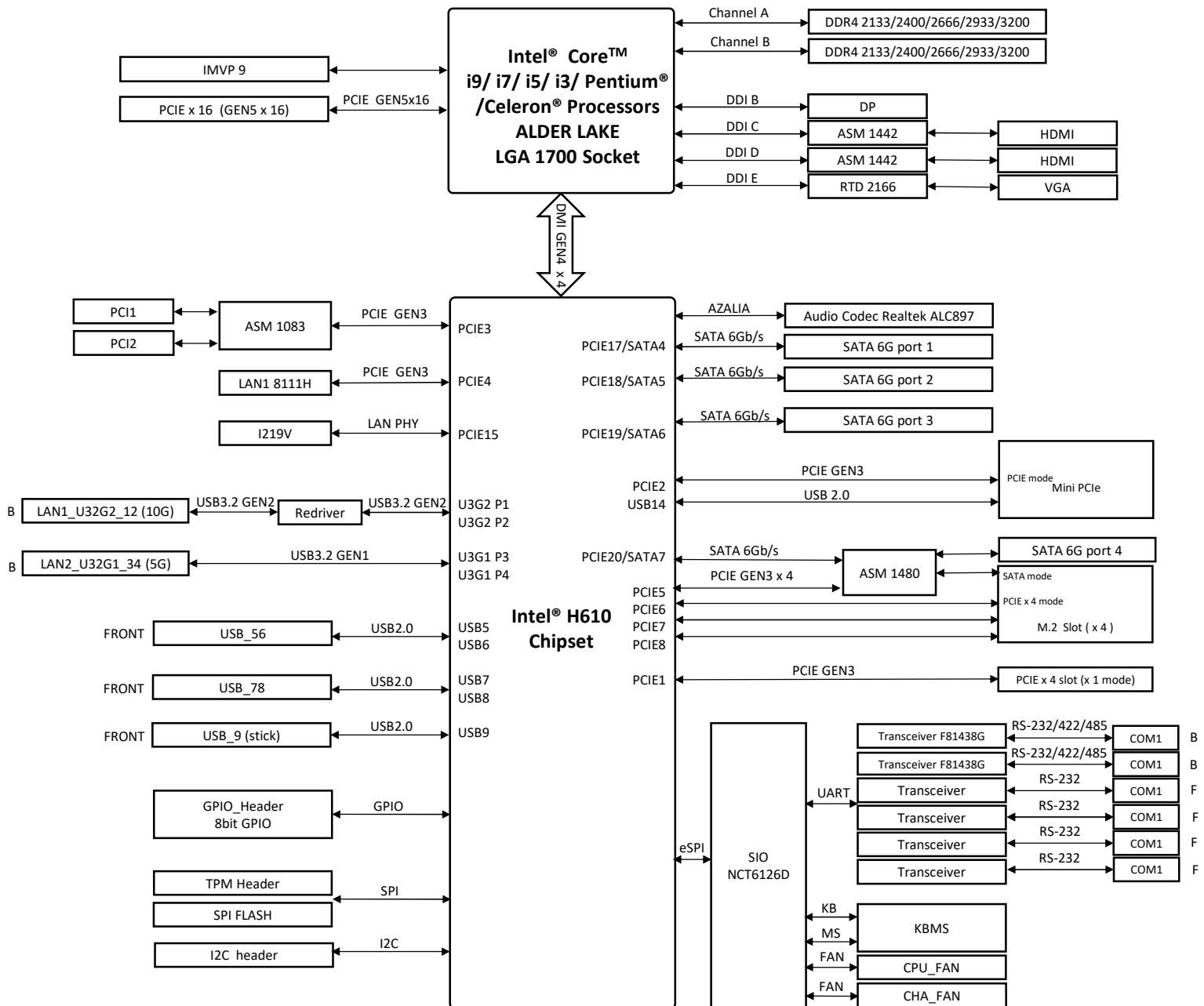
Specifications

Processor System	CPU	LGA1700 Socket for Intel® Core™ i9/ i7/ i5/ i3/ Pentium® /Celeron® Processors support 14 th /13 th /12 th Gen CPU, Max. 65W TDP
	CHIPSET	Intel® H610 chipset
Memory	Technology	DDR4 2133/2400/2666/2933/3200 MHz
	Max.	64GB
	Socket	2 x U-DIMM
Display	HDMI	2, Supports HDMI 2.1 up to 4096 X 2160 @ 60 Hz
	Display Port	1, Supports 1.4 up to 4096 x 2160 @ 60 Hz
	VGA	1, Supports 1920 x 1200 @60 Hz
	Triple Display	VGA / DP / HDMI1 / HDMI2
Expansion Slot	PCIe x16	1 x PCIe 5.0 x16 slot
	PCIe x4	1 x PCIe 3.0/2.0 x4 slot(x1 speed)
	PCI	2 x PCI slot
	Mini PCIe	1 x full/half mini-PCIe
Ethernet	Speed	10/100/1000Mbps
	Controller	1 x Realtek® 8111H, 1 x Intel® i219V
	Connector	2 x RJ-45
Audio	Codec	Realtek ALC897 High Definition Audio
	Connector	Line-Out, Mic-in
Storage	SATA port	4 x SATA Gen 3.0, up to 6Gb/s *No.4 SATA port shared with M.2
	M.2	1 x M.2 Socket with M key, type 2242/2260/2280(SATA/PCIe x4 mode)
Rear I/O	HDMI	2
	Display Port	1
	VGA	1
	USB3.2 GEN2	2
	USB3.2 GEN1	2
	Ethernet	2
	Serial Port	2(RS232/422/485)
	Audio jack	2
Internal Connector	Serial Port	4 (RS232)
	USB2.0	2x Header Support Additional 4x USB2.0 Connectors, 1x stick socket
	CPU Fan Connector	1 (PWM Mode)
	Chassis Fan Header	1 (PWM Mode)
	Chassis Intruder Header	1
	Front Panel Audio Header (AAFP)	1
	System Panel Header	1 (10-1 Pin)
	Clear CMOS Jumper	1
	Speaker Connector	1 (4-pin)
	GPIO Header	1 (8 Bit)
	AT/ATX Select Header	1
	PS/2(KBMS)	1
	I2C header	1
	Power Connector	1 X 8-pin ATX Power Connector, 1 X 24-pin ATX Power Connector

Specifications

Watchdog Timer	H/W	YES
Security	TPM	1 x SPI TPM header
Power	Power Type	both ATX/AT mode
Operating System	Microsoft Windows	Windows® 10 (64bit) / Win10 IoT Enterprise
	Linux	Ubuntu, RedHat Enterprise, Fedora Workstation, OpenSUSE
Environment	Operating Temperature	0~60° C
	Non-Operating Temperature	-40~85° C
	Relative Humidity	10%~95%, non-coagulation
Dimension	Form Factor	Micro-ATX 244X244mm
Certification	Safety	CE, FCC

Block Diagram



Order Information

Model name	Part number	Description
H610M-IM-A	90ME04k0*	H610M-IM-A//LGA1700, H610, VGA, DP, HDMI, COM, MB

* The part number might vary for different regulations and package. Please consult the TPM in your region for exact 90PN.

Packing List

Part number	Description	Quantity	Remark
13020*	IO shield	1	default
14013*	SATA 6G CABLE	1	default
13020*	M.2 screw pack	2	default
13071*	M.2 HEATSINK	1	Optional

* The part number might vary due to part number revision