

PE200S

Atom® X Series Processor, DDR3L SO-DIMM, DP, HDMI,
Dual-LAN, Multiple COM, 12-24V DC

Features

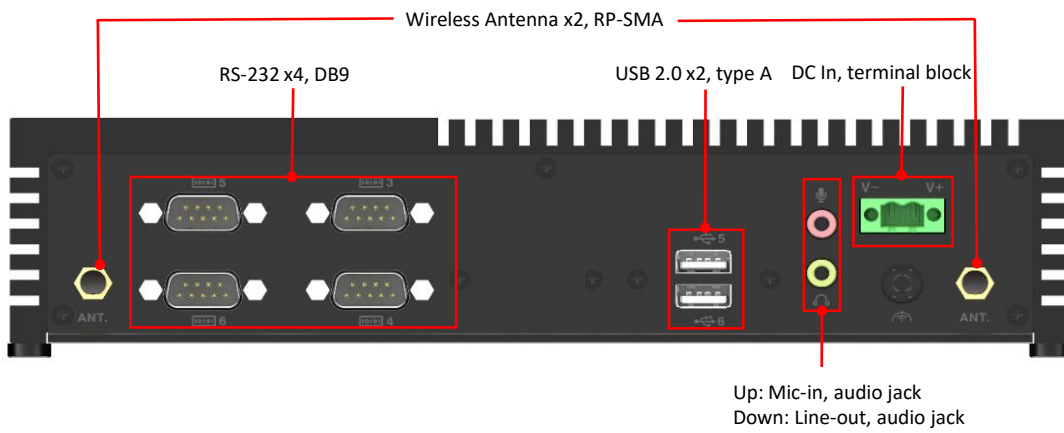
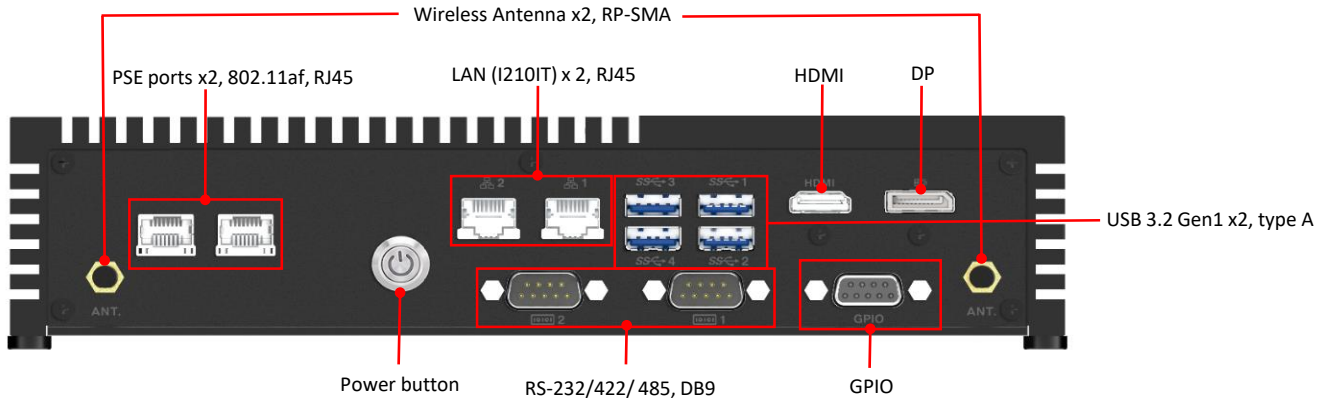
- Supports 2 x RS-232/422/485, 4 x RS-232
- Supports dual independent video outputs
- Supports Windows® 10 IoT Enterprise or Linux Yocto OS
- Wide Operating Temperature Range: -20~60°C



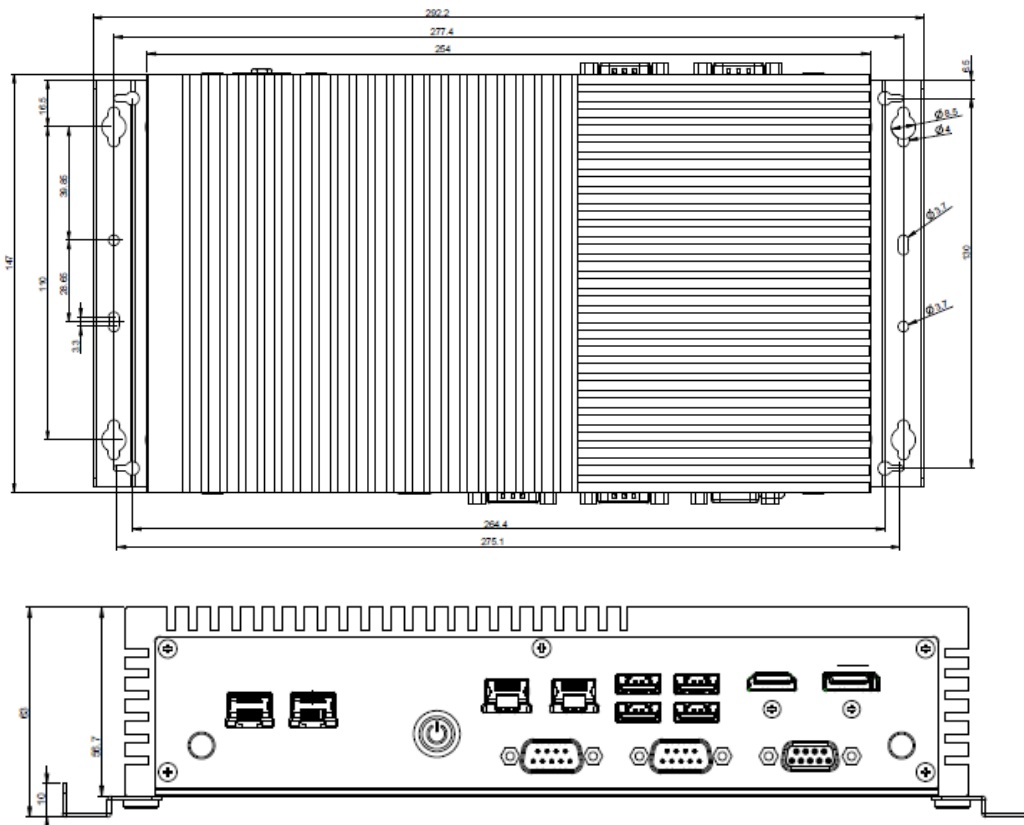
Specifications

System	CPU	Intel® Atom® X5-E3930	Intel® Atom® X5-E3940	Intel® Atom® X7-E3950
	TDP	6.5W	9.5W	12W
	# of Cores	2	4	4
	Base Freq.	1.3GHz	1.6GHz	1.6GHz
	Max Turbo Freq.	1.8GHz	1.8GHz	2.0GHz
	Memory	1 x SO-DIMM, DDR3L 1866 MHz, supports up to 8GB		
External Interfaces	Display	1 x HDMI 1.4, supports up to 3840 x 2160 @ 30 Hz 1 x DP 1.2a, supports up to 4096 x 2160 @ 60 Hz		
	Ethernet	2 x 10/100/1000 Mbps, RJ45 (2 x Intel i210IT (1Gb) 2 x 802.11af PSE ports, RJ45 (optional) 2 x 10/100/1000 ethernet ports, RJ45 (optional) *either one		
	USB	4 x USB 3.2 Gen 1, type A 2 x USB 2.0, type A (optional)		
	Audio	1 x Mic-in, phone jack 1 x Line-out, phone jack		
	COM	2 x COM: RS-232/422/485, DB9 4 x COM: RS232, DB9 (optional)		
	GPIO	1 x 8bit GPIO, DB9		
	Storage	SATA	1 x SATA 6 connector supports 2.5" SSD	
Micro SD		1 x Micro SD Card slot (on-board)		
Expansion Slot	Mini PCIe	1 x Mini PCIe socket (USB or PCIe2 mode)		
	M.2 M Key	1 x M.2 2242 M-key socket, (SATA mode) (supports M.2 SSD up to 512GB)		
	M.2 E Key	1 x M.2 2230 E-key socket (PCIe2 / USB 2.0 mode) (supports BT/Wi-Fi module)		
	SIM	1 x nano-SIM slot		
Power	Power input	12 to 24 V DC, 2-pin terminal block		
Mechanical	Mounting	Wall-mount/ VESA mount		
	Dimensions	254 (H) x 147 (W) x 57 (D) mm		
	Weight	2.45 kg		
Environment	Operating Temp.	-20~60°C with wide temperature parts, fanless		
	Storage Temp.	-40~85°C		
	Relative Humidity	5 to 95% (non-condensing)		
	EMC	CE (ITE), FCC , VCCI, BSMI		
	Safety	UL,CB, CCC, BSMI, CE		
	Vibration	Operating: 0.21Grms, 5~500 Hz, 20min duration		
	Shock	Operating: 50 G, half sine 11ms duration		
Green	GA (RoHS)			
Security	TPM	TPM v2.0 powered by Nuvoton NCPT 750 (Optional)		
Others	Watch dog timer	Yes. HW WDT Enable (WDT_EN)		
	Operating System	Windows® 10 IoT Enterprise (64 bit) / Linux Yocto		

Appearance



Dimension (mm)



Ordering Information

90 P/N	CPU	DRAM	2.5" SATA	TPM built-in	LAN	PoE	Serial port	USB	mPCIe	M.2 2230 E-key	M.2 2242 M-key	Operating temp
PE200S_ Entry	Intel® Atom® X5-E3930/ X5-E3940/ X7-E3950	Up to 8 GB	1	optional	2	--	2	4	1 ¹	1 ²	1 ³	-20~60°C /0~40°C
PE200S_ Semi	Intel® Atom® X5-E3930/ X5-E3940/ X7-E3950	Up to 8 GB	1	optional	2	--	6	6	1 ¹	1 ²	1 ³	-20~60°C /0~40°C
PE200S_ LAN FULL	Intel® Atom® X5-E3930/ X5-E3940/ X7-E3950	Up to 8 GB	1	optional	4	--	6	6	1 ¹	1 ²	1 ³	-20~60°C /0~40°C
PE200S_ FULL	Intel® Atom® X5-E3930/ X5-E3940/ X7-E3950	Up to 8 GB	1	optional	2	2	6	6	1 ¹	1 ²	1 ³	-20~60°C /0~40°C

* The part number might vary for different regulations and package. Please consult the TPM in your region for exact 90PN.

1. LTE
2. Wi-Fi
3. M.2 SSD

Packing list

Description	Qty
Power terminal block to power jack adaptor, 10cm	1
PE200U Wall mount bracket	2
SATA 22P to SATA 7P+4P 15+12CM	1
2.5HDD screw pack	1
Dust cover set (1 HDMI; 1 DP; 6 DB9; 6 USB; 4 LAN; 2 audio jack; 4 SMA)	1
Quick installation guide	1

* The part number might vary due to part number revision.

Optional Accessories (purchased separately)

Part Number	Description
ADAPTER	
0A001-01050000	Power adapter, input voltage 100 to 264VAC, output voltage 12VDC with 2A DC load, 0 to 40°C operating temperature
0A001-01070100	Power adapter, 120W 12V, input voltage 100 to 264VAC, output voltage 12VDC with 2A DC load, 0 to 40°C operating temperature
POWER CORD	
14009-00021400	Power cord with United States (US) plug, 180cm
14009-00021000	Power cord with Europe (EU) plug, 180cm
14009-00021100	Power cord with China (CN) plug, 180cm
14009-00020600	Power cord with Japan (JP) plug, 180cm
14009-00020800	Power cord with Australia (AU) plug, 180cm
14009-00020900	Power cord with United Kingdom (UK) plug, 180cm
14009-00021000	Power cord with Korea (KR) plug, 180cm
14009-00020700	Power cord with Swiss (CH) plug, 180cm
14009-00021200	Power cord with Taiwan (TW) plug, 180cm
WIRELESS EXTENSION CABLE	
14012-00880000	External wireless extension cable, RP-SMA to RP-SMA, 60cm
4G LTE ANTENNA	
14008-03440000	Omni-directional rubber duck GPRS/EDGE/UMTS/HSPA/LTE antenna, 704 to 960MHz & 1710 to 2690MHz, 3.5 dBi, RP-SMA, antenna length 10cm
WI-FI ANTENNA	
14008-02990100	Omni-directional rubber duck Wi-Fi antenna, 2.4/5GHz, 2dBi, RP-SMA, antenna length 8.6cm

* The part number might vary due to part number revision.