

**TUF X299  
MARK 2**

**ASUS®**

**Motherboard**

E12906  
First Edition  
June 2017

**Copyright© 2017 ASUSTeK COMPUTER INC. All Rights Reserved.**

No part of this manual, including the products and software described in it, may be reproduced, transmitted, transcribed, stored in a retrieval system, or translated into any language in any form or by any means, except documentation kept by the purchaser for backup purposes, without the express written permission of ASUSTeK COMPUTER INC. ("ASUS").

Product warranty or service will not be extended if: (1) the product is repaired, modified or altered, unless such repair, modification of alteration is authorized in writing by ASUS; or (2) the serial number of the product is defaced or missing.

ASUS PROVIDES THIS MANUAL "AS IS" WITHOUT WARRANTY OF ANY KIND, EITHER EXPRESS OR IMPLIED, INCLUDING BUT NOT LIMITED TO THE IMPLIED WARRANTIES OR CONDITIONS OF MERCHANTABILITY OR FITNESS FOR A PARTICULAR PURPOSE. IN NO EVENT SHALL ASUS, ITS DIRECTORS, OFFICERS, EMPLOYEES OR AGENTS BE LIABLE FOR ANY INDIRECT, SPECIAL, INCIDENTAL, OR CONSEQUENTIAL DAMAGES (INCLUDING DAMAGES FOR LOSS OF PROFITS, LOSS OF BUSINESS, LOSS OF USE OR DATA, INTERRUPTION OF BUSINESS AND THE LIKE), EVEN IF ASUS HAS BEEN ADVISED OF THE POSSIBILITY OF SUCH DAMAGES ARISING FROM ANY DEFECT OR ERROR IN THIS MANUAL OR PRODUCT.

SPECIFICATIONS AND INFORMATION CONTAINED IN THIS MANUAL ARE FURNISHED FOR INFORMATIONAL USE ONLY, AND ARE SUBJECT TO CHANGE AT ANY TIME WITHOUT NOTICE, AND SHOULD NOT BE CONSTRUED AS A COMMITMENT BY ASUS. ASUS ASSUMES NO RESPONSIBILITY OR LIABILITY FOR ANY ERRORS OR INACCURACIES THAT MAY APPEAR IN THIS MANUAL, INCLUDING THE PRODUCTS AND SOFTWARE DESCRIBED IN IT.

Products and corporate names appearing in this manual may or may not be registered trademarks or copyrights of their respective companies, and are used only for identification or explanation and to the owners' benefit, without intent to infringe.

**Offer to Provide Source Code of Certain Software**

This product contains copyrighted software that is licensed under the General Public License ("GPL"), under the Lesser General Public License Version ("LGPL") and/or other Free Open Source Software Licenses. Such software in this product is distributed without any warranty to the extent permitted by the applicable law. Copies of these licenses are included in this product.

Where the applicable license entitles you to the source code of such software and/or other additional data, you may obtain it for a period of three years after our last shipment of the product, either

(1) for free by downloading it from <https://www.asus.com/support/>

or

(2) for the cost of reproduction and shipment, which is dependent on the preferred carrier and the location where you want to have it shipped to, by sending a request to:

ASUSTeK Computer Inc.  
Legal Compliance Dept.  
15 Li Te Rd.,  
Beitou, Taipei 112  
Taiwan

In your request please provide the name, model number and version, as stated in the About Box of the product for which you wish to obtain the corresponding source code and your contact details so that we can coordinate the terms and cost of shipment with you.

The source code will be distributed WITHOUT ANY WARRANTY and licensed under the same license as the corresponding binary/object code.

This offer is valid to anyone in receipt of this information.

ASUSTeK is eager to duly provide complete source code as required under various Free Open Source Software licenses. If however you encounter any problems in obtaining the full corresponding source code we would be much obliged if you give us a notification to the email address [gpl@asus.com](mailto:gpl@asus.com), stating the product and describing the problem (please DO NOT send large attachments such as source code archives, etc. to this email address).

# Contents

Safety information.....	vi
About this guide.....	vii
TUF X299 MARK 2 specifications summary .....	ix
Package contents.....	xiv
Installation tools and components .....	xv

## Chapter 1: Product Introduction

<b>1.1</b>	<b>Motherboard overview.....</b>	<b>1-1</b>
1.1.1	Before you proceed.....	1-1
1.1.2	Motherboard layout .....	1-2
1.1.3	Central Processing Unit (CPU) .....	1-4
1.1.4	System memory .....	1-5
1.1.5	Expansion slots.....	1-7
1.1.6	Onboard buttons and switches.....	1-9
1.1.7	Jumpers and holes.....	1-10
1.1.8	Onboard LEDs .....	1-12
1.1.9	Internal connectors.....	1-13

## Chapter 2: Basic Installation

<b>2.1</b>	<b>Building your PC system.....</b>	<b>2-1</b>
2.1.1	Motherboard installation.....	2-1
2.1.2	CPU installation.....	2-3
2.1.3	CPU heatsink and fan assembly installation .....	2-5
2.1.4	DIMM installation.....	2-6
2.1.5	ATX power connection .....	2-7
2.1.6	SATA device connection .....	2-8
2.1.7	Front I/O connector .....	2-9
2.1.8	Expansion Card installation.....	2-10
2.1.9	M.2 installation .....	2-11
<b>2.2</b>	<b>Motherboard rear and audio connections .....</b>	<b>2-12</b>
2.2.1	Rear I/O connection .....	2-12
2.2.2	Audio I/O connections.....	2-14
<b>2.3</b>	<b>Starting up for the first time.....</b>	<b>2-16</b>
<b>2.4</b>	<b>Turning off the computer .....</b>	<b>2-16</b>

## Chapter 3: BIOS Setup

<b>3.1</b>	<b>Knowing BIOS</b> .....	<b>3-1</b>
<b>3.2</b>	<b>BIOS setup program</b> .....	<b>3-2</b>
	3.2.1 EZ Mode.....	3-3
	3.2.2 Advanced Mode .....	3-4
	3.2.3 QFan Control.....	3-7
	3.2.4 EZ Tuning Wizard .....	3-9
<b>3.3</b>	<b>My Favorites</b> .....	<b>3-12</b>
<b>3.4</b>	<b>Main menu</b> .....	<b>3-14</b>
<b>3.5</b>	<b>Ai Tweaker menu</b> .....	<b>3-14</b>
<b>3.6</b>	<b>Advanced menu</b> .....	<b>3-16</b>
	3.6.1 CPU Configuration .....	3-16
	3.6.2 Platform Misc Configuration.....	3-16
	3.6.3 System Agent (SA) Configuration .....	3-16
	3.6.4 PCH Configuration .....	3-17
	3.6.5 PCH Storage Configuration.....	3-17
	3.6.6 CPU Storage Configuration.....	3-18
	3.6.7 Onboard Devices Configuration.....	3-18
	3.6.8 APM Configuration .....	3-18
	3.6.9 Network Stack Configuration.....	3-19
	3.6.10 HDD/SSD SMART Information .....	3-19
	3.6.11 USB Configuration .....	3-19
	3.6.12 Thunderbolt(TM) Configuration .....	3-19
	3.6.13 PCH-FW Configuration .....	3-20
<b>3.7</b>	<b>Monitor menu</b> .....	<b>3-20</b>
<b>3.8</b>	<b>Boot menu</b> .....	<b>3-20</b>
<b>3.9</b>	<b>Tool menu</b> .....	<b>3-22</b>
	3.9.1 ASUS EZ Flash 3 Utility .....	3-22
	3.9.2 Secure Erase .....	3-23
	3.9.3 ASUS Overclocking Profile .....	3-24
	3.9.4 ASUS SPD Information.....	3-24
	3.9.5 Graphics Card Information.....	3-24
<b>3.10</b>	<b>Exit menu</b> .....	<b>3-25</b>
<b>3.11</b>	<b>Updating BIOS</b> .....	<b>3-26</b>
	3.11.1 EZ Update.....	3-26
	3.11.2 ASUS EZ Flash 3.....	3-27
	3.11.3 ASUS CrashFree BIOS 3.....	3-29



## **Chapter 4: RAID Support**

<b>4.1</b>	<b>RAID configurations .....</b>	<b>4-1</b>
4.1.1	RAID definitions .....	4-1
4.1.2	Installing storage devices.....	4-2
4.1.3	Intel® Rapid Storage Technology in UEFI BIOS.....	4-2
4.1.4	Intel® Virtual Raid on CPU in UEFI BIOS.....	4-6
4.1.4	Intel® Rapid Storage Technology Option ROM utility.....	4-12
<b>4.2</b>	<b>Creating a RAID driver disk .....</b>	<b>4-16</b>
4.2.1	Creating a RAID driver disk in Windows® .....	4-16

## **Appendix**

<b>Notices .....</b>	<b>A-1</b>
<b>ASUS contact information.....</b>	<b>A-5</b>

# Safety information

## Electrical safety

- To prevent electrical shock hazard, disconnect the power cable from the electrical outlet before relocating the system.
- When adding or removing devices to or from the system, ensure that the power cables for the devices are unplugged before the signal cables are connected. If possible, disconnect all power cables from the existing system before you add a device.
- Before connecting or removing signal cables from the motherboard, ensure that all power cables are unplugged.
- Seek professional assistance before using an adapter or extension cord. These devices could interrupt the grounding circuit.
- Ensure that your power supply is set to the correct voltage in your area. If you are not sure about the voltage of the electrical outlet you are using, contact your local power company.
- If the power supply is broken, do not try to fix it by yourself. Contact a qualified service technician or your retailer.

## Operation safety

- Before installing the motherboard and adding devices on it, carefully read all the manuals that came with the package.
- Before using the product, ensure all cables are correctly connected and the power cables are not damaged. If you detect any damage, contact your dealer immediately.
- To avoid short circuits, keep paper clips, screws, and staples away from connectors, slots, sockets and circuitry.
- Avoid dust, humidity, and temperature extremes. Do not place the product in any area where it may become wet.
- Place the product on a stable surface.
- If you encounter technical problems with the product, contact a qualified service technician or your retailer.

## About this guide

This user guide contains the information you need when installing and configuring the motherboard.

## How this guide is organized

This guide contains the following parts:

### 1. Chapter 1: Product Introduction

This chapter describes the features of the motherboard and the new technology it supports. It includes description of the switches, jumpers, and connectors on the motherboard.

### 2. Chapter 2: Basic Installation

This chapter lists the hardware setup procedures that you have to perform when installing system components.

### 3. Chapter 3: BIOS Setup

This chapter tells how to change system settings through the BIOS Setup menus. Detailed descriptions of the BIOS parameters are also provided.

### 4. Chapter 4: RAID Support

This chapter describes the RAID configurations.

## Where to find more information

Refer to the following sources for additional information and for product and software updates.

### 1. ASUS website

The ASUS website ([www.asus.com](http://www.asus.com)) provides updated information on ASUS hardware and software products.

### 2. Optional documentation

Your product package may include optional documentation, such as warranty flyers, that may have been added by your dealer. These documents are not part of the standard package.

## Conventions used in this guide

To ensure that you perform certain tasks properly, take note of the following symbols used throughout this manual.



**DANGER/WARNING:** Information to prevent injury to yourself when trying to complete a task.



**CAUTION:** Information to prevent damage to the components when trying to complete a task.



**IMPORTANT:** Instructions that you **MUST** follow to complete a task.



**NOTE:** Tips and additional information to help you complete a task.

## Typography

**Bold text**

Indicates a menu or an item to select.

*Italics*

Used to emphasize a word or a phrase.

<Key>

Keys enclosed in the less-than and greater-than sign means that you must press the enclosed key.

Example: <Enter> means that you must press the Enter or Return key.

<Key1> + <Key2> + <Key3>

If you must press two or more keys simultaneously, the key names are linked with a plus sign (+).

## TUF X299 MARK 2 specifications summary

CPU	<p>Intel® Core™ X-Series Processors Family on LGA 2066 Socket*</p> <p>Supports 14nm CPU</p> <p>Supports Intel® Turbo Boost Max Technology 3.0**</p> <p>* Refer to <a href="http://www.asus.com">www.asus.com</a> for Intel® CPU support list.</p> <p>** Support of these features depends on the CPU types.</p>
Chipset	<p>Intel® X299 Chipset</p>
Memory	<p><b>Intel® Core™ X-Series Processors (6-core or above)</b></p> <ul style="list-style-type: none"> <li>- 8 x DIMM, max. 128GB DDR4 4000+(O.C.)* / 3600(O.C.)* / 3400(O.C.)* / 3333(O.C.)* / 3300(O.C.)* / 3200(O.C.)* / 3000(O.C.)* / 2800(O.C.)* / 2666 MHz, non-ECC, un-buffered memory</li> <li>- Quad channel memory architecture</li> </ul> <p><b>Intel® Core™ X-Series Processors (4-core)</b></p> <ul style="list-style-type: none"> <li>- 4 x DIMM, max. 64GB, DDR4 4000+(O.C.)* / 3600(O.C.)* / 3400(O.C.)* / 3333(O.C.)* / 3300(O.C.)* / 3200(O.C.)* / 3000(O.C.)* / 2800(O.C.)* / 2666 MHz, non-ECC, un-buffered memory</li> <li>- Dual channel memory architecture</li> </ul> <p>Supports Intel® Extreme Memory Profile (XMP)</p> <p>* Hyper DIMM support is subject to the physical characteristics of individual CPUs. Please refer to Memory QVL (Qualified Vendors List) for details.</p>
Expansion slots	<p><b>44-Lane CPU (12-core &amp; 10-core CPU)</b></p> <ul style="list-style-type: none"> <li>3 x PCI Express 3.0/2.0 x16 slots (single @x16, dual @x16/x16, triple @x16/x16/x8 mode)</li> <li>1 x PCI Express 3.0/2.0 x4 slots (PCIEX4_1 max. at x2 mode)</li> <li>2 x PCI Express 3.0/2.0 x1 slots (compatible with PCIe x1 devices)</li> </ul> <p><b>28-Lane CPU (6-core &amp; 8-core CPU)</b></p> <ul style="list-style-type: none"> <li>2 x PCI Express 3.0/2.0 x16 slots (single @x16, dual @x16/x8 mode)*</li> <li>1 x PCI Express 3.0/2.0 x4 slots (PCIEX4_1 max. at x2 mode)</li> <li>2 x PCI Express 3.0/2.0 x1 slots (compatible with PCIe x1 devices)</li> </ul> <p><b>16-Lane CPU (4-core CPU)</b></p> <ul style="list-style-type: none"> <li>2 x PCI Express 3.0/2.0 x16 slots (single @x16, dual @x8/x8 mode)*</li> <li>1 x PCI Express 3.0/2.0 x4 slots (PCIEX4_1 max. at x2 mode)</li> <li>2 x PCI Express 3.0/2.0 x1 slots (compatible with PCIe x1 devices)</li> </ul> <p>* When using 28-lane &amp; 16-lane CPUs, PCIEX16_3 will be disabled.</p>
Multi-GPU support	<p>Supports NVIDIA® Supports NVIDIA® 2-Way/Quad-GPU SLI™ Technology (with 2 PCIe x16 graphics card)/ 3-Way SLI™ Technology*</p> <p>Supports AMD® 3-Way/Quad-GPU CrossFireX™ Technology</p> <p>* Support depends on the CPU types and VGA cards.</p>

(continued on the next page)

## TUF X299 MARK 2 specifications summary

<p><b>Storage</b></p>	<p><b>Intel® X299 Chipset with RAID 0, 1, 5, 10 and Intel Rapid Storage Technology 15 support</b></p> <ul style="list-style-type: none"> <li>- 1 x M.2_1 Socket 3 with M key, type 2242/2260/2280 storage devices support (supports PCIe storage device only)</li> <li>- 1 x M.2_2 Socket 3 with vertical M Key, type 2242/2260/2280/22110 (both SATA &amp; PCIe 3.0 x 4 mode)</li> <li>- 6 x SATA 6.0 Gb/s ports**</li> <li>- Ready for Intel® Optane™ Memory</li> <li>- Supports Intel® Smart Response Technology</li> </ul>
<p><b>Back Panel I/O Ports</b></p>	<ul style="list-style-type: none"> <li>1 x PS2 port</li> <li>1 x Optical S/PDIF out</li> <li>1 x LAN (RJ45) port</li> <li>2 x USB 3.1 Gen 2 ports (teal blue, Type A)</li> <li>4 x USB 3.1 Gen 1 ports</li> <li>4 x USB 2.0 ports</li> <li>8-channel Audio I/O ports</li> </ul>
<p><b>Audio</b></p>	<p><b>Realtek® S1220A 8-Channel High Definition Audio CODEC</b></p> <ul style="list-style-type: none"> <li>- Power pre-regulator reduces power input noise to ensure consistent performance</li> <li>- Separate layer for left and right track, ensuring both sound deliver equal quality</li> <li>- Impedance sense for front and rear headphone outputs</li> <li>- Audio shielding ensures precise analog/digital separation and greatly reduced multi-lateral interference</li> <li>- Internal audio Amplifier to enhance the highest quality sound for headphone and speakers</li> <li>- Unique de-pop circuit to reduce start-up popping noise to audio outputs</li> <li>- Premium Japan-made audio capacitors provides warm, natural, and immersive sound with exceptional clarity and fidelity</li> <li>- High quality 120dB SNR stereo playback output (Line-out@back) &amp; 113dB SNR recording input (Line-in) support</li> <li>- Supports up to 32-Bit/192kHz playback*</li> <li>- Supports jack-detection, multi-streaming, front panel jack-retasking (MIC)</li> <li>- Optical S/PDIF out port at back I/O</li> </ul> <p>* Due to limitations in HDA bandwidth, 32-Bit/192kHz is not supported for 8-Channel audio.</p>

*(continued on the next page)*

## TUF X299 MARK 2 specifications summary

LAN	<p>Gigabit Intel LAN connection- 802.3az Energy Efficient Ethernet (EEE) appliance</p> <p>Intel® I219-V Gigabit LAN- Dual interconnect between the integrated Media Access Controller (MAC) and physical layer (PHY)</p> <p>TUF LANGuard</p> <p>ASUS Turbo LAN Utility</p>
ASUS Features	<ul style="list-style-type: none"> <li>- TPU</li> <li>- EPU</li> <li>- AURA SYNC: AURA Lighting Control and AURA Lighting Effects synchronization with compatible ASUS ROG devices.</li> <li>- ASUS UEFI BIOS EZ Mode featuring friendly graphics user interface</li> <li>- Turbo LAN to experience smooth online gaming with lower pings and less lags</li> <li>- Intel® VROC Ready</li> <li>- 3D Printing Friendly design</li> <li>- AI Suite 3</li> <li>- ASUS Q-Connector</li> <li>- ASUS Q-Shield</li> <li>- ASUS Q-LED (CPU, DRAM, VGA, Boot Device LED)</li> <li>- ASUS Q-Slot</li> <li>- ASUS Q-DIMM</li> <li>- ASUS O.C. Profile</li> <li>- ASUS CrashFree BIOS 3</li> <li>- EZ Update</li> <li>- ASUS EZ Flash 3</li> <li>- Multi-language BIOS</li> </ul>
USB	<p><b>Intel® X299 Chipset</b></p> <ul style="list-style-type: none"> <li>- 8 x USB 3.1 Gen 1 ports (4 ports at back panel, 4 ports at mid-board)</li> <li>- 6 x USB 2.0 ports (4 ports at back panel, 2 ports at mid-board)</li> </ul> <p><b>ASMedia® USB 3.1 Gen 2 controllers</b></p> <ul style="list-style-type: none"> <li>- Supports USB 3.1 Gen 2 Multiple-INs</li> <li>- 2 x USB 3.1 Gen 2 ports @back panel (teal blue, Type A)</li> </ul>

*(continued on the next page)*

## TUF X299 MARK 2 specifications summary

<p><b>Exclusive TUF Features</b></p>	<p><b>“Ultimate COOL!” Thermal Solution</b></p> <ul style="list-style-type: none"> <li>- TUF Thermal Radar 3</li> <li>- ASUS SafeSlot</li> </ul> <p><b>“TUF ENGINE!” Power Design</b></p> <ul style="list-style-type: none"> <li>- 7+1 Digital Phase Power Design</li> <li>- TUF Components (5K Cap, TUF Chokes &amp; MOSFET; certified by military-standard)</li> </ul> <p><b>“Safe &amp; Stable!” Guardian Angel</b></p> <ul style="list-style-type: none"> <li>- TUF ESD Guards 2</li> <li>- MemOK!</li> </ul>
<p><b>Internal I/O connectors</b></p>	<ul style="list-style-type: none"> <li>2 x USB 3.0 Gen 1 connectors support additional 4 USB ports (19-pin)</li> <li>1 x USB 2.0 connector supports additional 2 USB ports</li> <li>1 x M.2_1 Socket 3 with M key, type 2242/2260/2280 storage devices support</li> <li>1 x M.2_2 Socket 3 with vertical M Key, type 2242/2260/2280/22110</li> <li>6 x SATA 6.0Gb/s connectors</li> <li>1 x 4-Pin W_PUMP+ connector</li> <li>1 x 4-Pin AIO_PUMP fan connector</li> <li>1 x 4-Pin CPU Fan connector</li> <li>1 x 4-Pin CPU_OPT fan connector</li> <li>2 x 4-Pin Chassis Fan connectors</li> <li>1 x 4-pin H_AMP Fan</li> <li>1 x 4-Pin M.2 Fan connector</li> <li>1 x 5-pin EXT_FAN(Extension Fan) connector</li> <li>1 x 2-pin Thermal sensor header</li> <li>1 x Front panel audio connector (AAFP)</li> <li>1 x Thunderbolt header (5-pin) for ASUS ThunderboltEX series support</li> <li>1 x 24-pin EATX Power connector</li> <li>1 x 8-pin EATX 12V Power connector</li> <li>1 x 4-pin EATX 12V Power connector</li> <li>1 x System Panel(Q-Connector)</li> <li>1 x COM port</li> <li>1 x MemOK! button</li> <li>1 x 3-pin CPU_OV header</li> <li>1 x Clear CMOS header</li> <li>2 x 3D Mount screw ports</li> </ul>

*(continued on the next page)*



## TUF X299 MARK 2 specifications summary

<b>BIOS Features</b>	128 Mb Flash ROM, UEFI AMI BIOS, PnP, DMI3.0, WfM2.0, SM BIOS 3.0, ACPI 6.0, Multi-language BIOS, ASUS EZ Flash 3, CrashFree BIOS 3, F11 EZ Tuning Wizard, F6 Qfan Control, F3 My Favorites, Last Modified log, F12 PrintScreen and ASUS DRAM SPD (Serial Presence Detect) memory information
<b>Manageability</b>	WfM 2.0, DMI 3.0, WOL by PME, PXE
<b>Support DVD contents</b>	Drivers ASUS Utilities EZ Update Anti-virus software (OEM version)
<b>Operating system support</b>	Windows® 10 64-bit
<b>Form factor</b>	ATX Form Factor, 12" x 9.6" (30.5 cm x 24.4 cm)



- 
- Specifications are subject to change without notice.
  - Visit the ASUS website for the software manual.
-

## Package contents

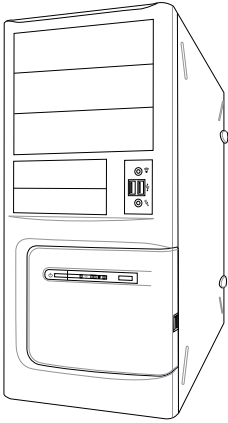
Check your motherboard package for the following items.

Motherboard	ASUS TUF X299 MARK 2 motherboard
Cables	4 x Serial ATA 6.0 Gb/s cables
Accessories	1 x SLI HB BRIDGE(2-WAY-M)
	1 x Q-Connector
	1 x M.2 vertical bracket
	1 x M.2 screw package
Application DVD	1 x ASUS Q-Shield
	1 x TUF INSIDE sticker (white)
	Motherboard support DVD
Documentation	1 x User manual
	1 x TUF 5 Year Warranty manual (by region)
	1 x TUF Certification card

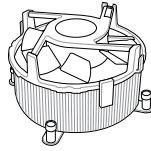


If any of the above items is damaged or missing, contact your retailer.

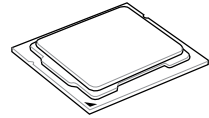
# Installation tools and components



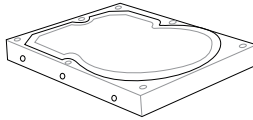
**PC chassis**



**Intel® LGA 2066 compatible CPU Fan**



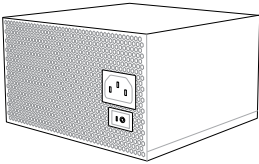
**Intel® LGA 2066 CPU**



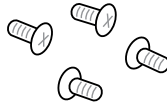
**SATA hard disk drive**



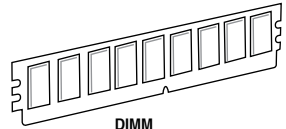
**Phillips (cross) screwdriver**



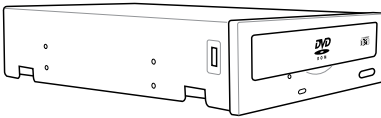
**Power supply unit**



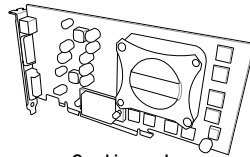
**1 bag of screws**



**DIMM**



**SATA optical disc drive (optional)**



**Graphics card**



**M.2 SSD module (optional)**



The tools and components in the table above are not included in the motherboard package.



# Product Introduction

# 1

## 1.1 Motherboard overview

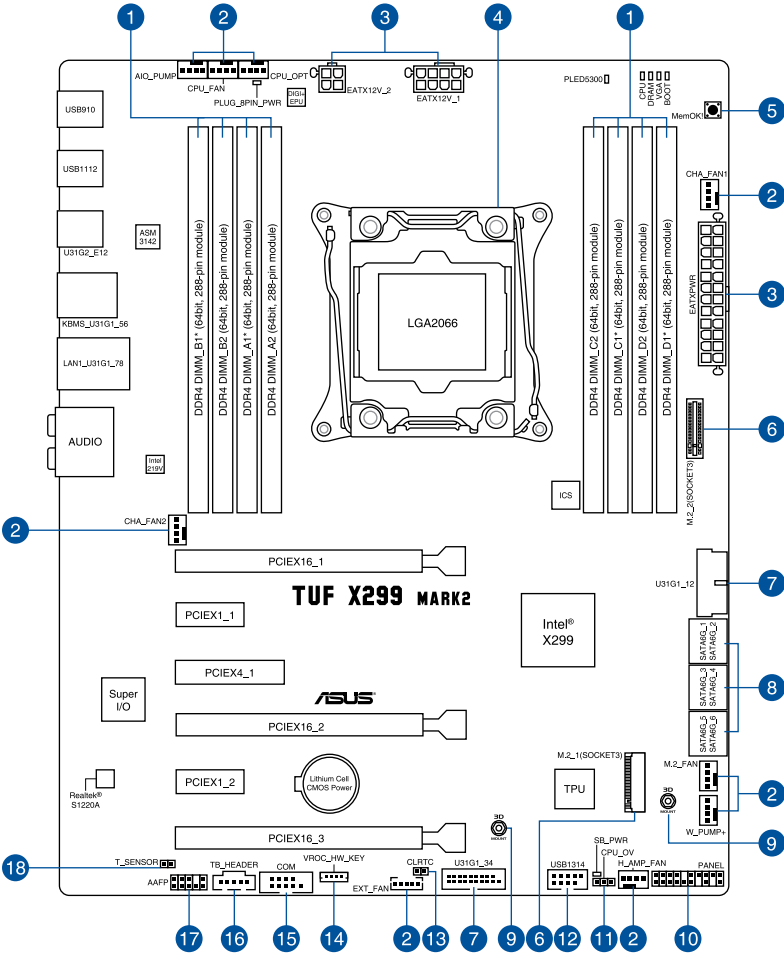
### 1.1.1 Before you proceed

Take note of the following precautions before you install motherboard components or change any motherboard settings.



- 
- Unplug the power cord from the wall socket before touching any component.
  - Before handling components, use a grounded wrist strap or touch a safely grounded object or a metal object, such as the power supply case, to avoid damaging them due to static electricity.
  - Hold components by the edges to avoid touching the ICs on them.
  - Whenever you uninstall any component, place it on a grounded antistatic pad or in the bag that came with the component.
  - Before you install or remove any component, ensure that the ATX power supply is switched off or the power cord is detached from the power supply. Failure to do so may cause severe damage to the motherboard, peripherals, or components.
-

## 1.1.2 Motherboard layout



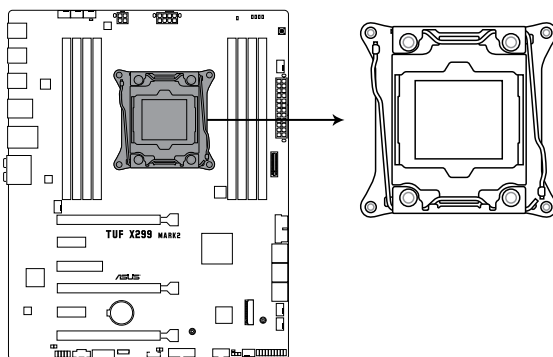
Refer to 1.1.9 Internal connectors and 2.2.1 Rear I/O connection for more information about rear panel connectors and internal connectors.

## Layout contents

Connectors/Jumpers/Buttons and switches/Slots	Page
1. DDR4 DIMM slots	1-5
2. CPU, CPU optional, AIO pump, water pump+, high amp, extension, M.2, and chassis fan connectors (4-pin CPU_FAN; 4-pin CPU_OPT; 4-pin AIO_PUMP; 4-pin W_PUMP+; 4-pin H_AMP_FAN; 4-pin M.2_FAN; 5-pin EXT_FAN; 4-pin CHA_FAN1-2)	1-17
3. ATX power connectors (24-pin EATXPWR; 8-pin EATX12V_1; 4-pin EATX12V_2)	1-18
4. LGA2066 CPU socket	1-4
5. MemOK! button	1-9
6. M.2 sockets (M.2_1(Socket 3); M.2_2(Socket 3))	1-21
7. USB 3.1 Gen 1 connectors (20-1 pin U31G1_12; U31G1_34)	1-15
8. Intel® Serial ATA 6 Gb/s connectors (7-pin SATA6G_12; SATA 6G_34; SATA 6G_56)	1-13
9. 3D Mount	1-11
10. System panel connector (20-3 pin PANEL)	1-19
11. CPU Over Voltage jumper (3-pin CPU_OV)	1-11
12. USB 2.0 connector (10-1 pin USB1314)	1-16
13. Clear RTC RAM jumper (2-pin CLRTC)	1-10
14. VROC_HW_KEY connector (4-pin VROC_KEY)	1-20
15. Serial port connector (10-1 pin COM)	1-14
16. Thunderbolt header (5-pin TB_HEADER)	1-20
17. Front panel audio connector (10-1 pin AAFP)	1-14
18. Thermal sensor connector (2-pin T_SENSOR)	1-16

### 1.1.3 Central Processing Unit (CPU)

The motherboard comes with a surface mount LGA2066 socket designed for the Intel® Core™ X-series Processors.



**TUF X299 MARK 2 LGA2066 Socket**



- Ensure that all power cables are unplugged before installing the CPU.
- Upon purchase of the motherboard, ensure that the PnP cap is on the socket and the socket contacts are not bent. Contact your retailer immediately if the PnP cap is missing, or if you see any damage to the PnP cap/socket contacts/motherboard components. ASUS will shoulder the cost of repair only if the damage is shipment/transit-related.
- Keep the cap after installing the motherboard. ASUS will process Return Merchandise Authorization (RMA) requests only if the motherboard comes with the cap on the LGA2066 socket.
- The product warranty does not cover damage to the socket contacts resulting from incorrect CPU installation/removal, or misplacement/loss/incorrect removal of the PnP cap.

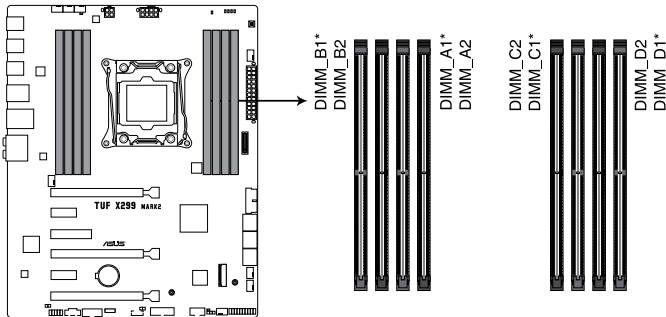


## 1.1.4 System memory

The motherboard comes with eight DDR4 (Double Data Rate 4) Dual Inline Memory Modules (DIMM) slots.



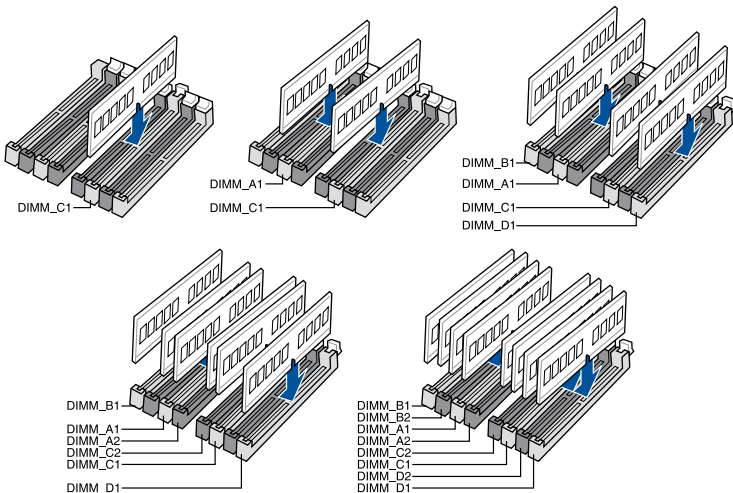
A DDR4 module is notched differently from a DDR, DDR2, or DDR3 module. DO NOT install a DDR, DDR2, or DDR3 memory module to the DDR4 slot.

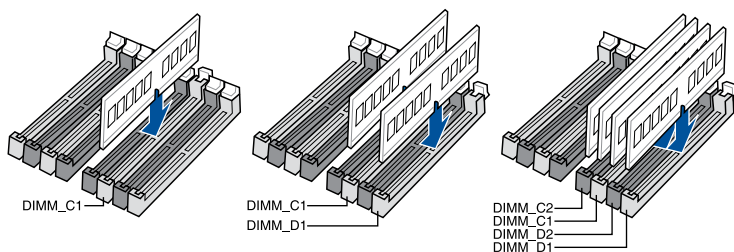


TUF X299 MARK 2 288-pin DDR4 DIMM socket

### Recommended memory configurations

Intel® Core™ X-series Processors (6-core or above)





## Memory configurations

You may install 2 GB, 4 GB, 8 GB and 16 GB unbuffered and non-ECC DDR4 DIMMs into the DIMM sockets.



- For Intel® Core™ X-Series Processors (4-core), you may install varying memory sizes in Channel C and Channel D. The system maps the total size of the lower-sized channel for the dual-channel configuration. Any excess memory from the higher-sized channel is then mapped for single-channel operation.
- For Intel® Core™ X-Series Processors (6-core or above), you may install varying memory sizes in Channel A, Channel B, Channel C, and Channel D. The system maps the total size of the lower-sized channel for the quad-channel configuration. Any excess memory from the higher-sized channel is then mapped for single-channel operation.

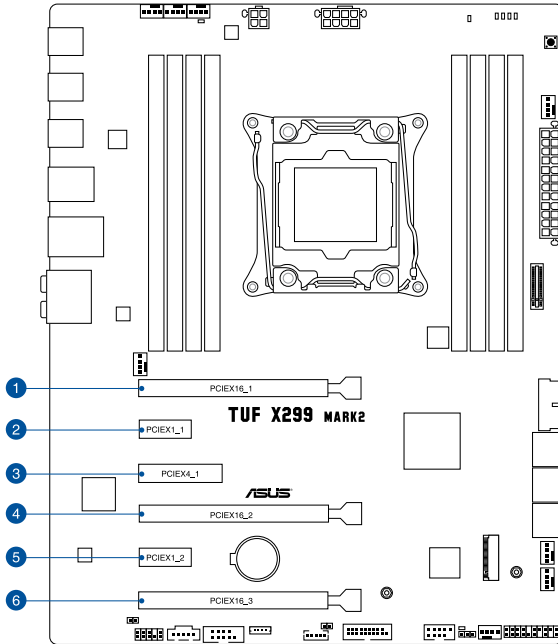


- The default memory operation frequency is dependent on its Serial Presence Detect (SPD), which is the standard way of accessing information from a memory module. Under the default state, some memory modules for overclocking may operate at a lower frequency than the vendor-marked value.
- For system stability, use a more efficient memory cooling system to support a full memory load (8 DIMMs) or overclocking condition.
- Always install the DIMMS with the same CAS Latency. For an optimum compatibility, we recommend that you install memory modules of the same version or data code (D/C) from the same vendor. Check with the vendor to get the correct memory modules.
- Visit the ASUS website for the latest QVL.

## 1.1.5 Expansion slots



Unplug the power cord before adding or removing expansion cards. Failure to do so may cause you physical injury and damage motherboard components.



Slot No.	Slot Description
1	PCIe 3.0/2.0 x16_1 slot
2	PCIe 3.0/2.0 x1_1 slot
3	PCIe 3.0/2.0 x4_1 slot
4	PCIe 3.0/2.0 x16_2 slot
5	PCIe 3.0/2.0 x1_2 slot
6	PCIe 3.0/2.0 x16_3 slot

## 44-Lane CPUs

VGA / PCIe configuration	PCI Express 3.0 operating mode		
	Single VGA / PCIe card	Dual VGA / PCIe cards	Triple VGA / PCIe cards
PCIe 3.0/2.0 x16_1	x16 (single VGA recommended)	x16	x16
PCIe 3.0/2.0 x16_2	N/A	x16	x16
PCIe 3.0/2.0 x16_3	N/A	N/A	x8

## 28-Lane CPUs

VGA / PCIe configuration	PCI Express 3.0 operating mode	
	Single VGA / PCIe card	Dual VGA / PCIe cards
PCIe 3.0/2.0 x16_1	x16 (single VGA recommended)	x16
PCIe 3.0/2.0 x16_2	N/A	x8
PCIe 3.0/2.0 x16_3	N/A	N/A

## 16-Lane CPUs

VGA / PCIe configuration	PCI Express 3.0 operating mode	
	Single VGA / PCIe card	Dual VGA / PCIe cards
PCIe 3.0/2.0 x16_1	x16 (single VGA recommended)	x8
PCIe 3.0/2.0 x16_2	N/A	x8
PCIe 3.0/2.0 x16_3	N/A	N/A



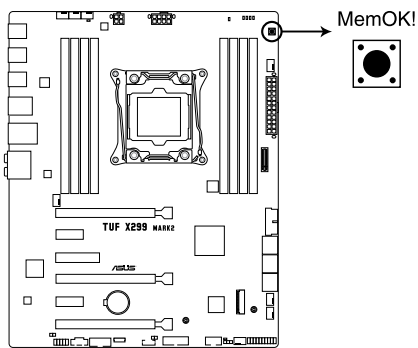
- We recommend that you provide sufficient power when running CrossFireX™ or SLI™ mode.
- The PCIe 3.0/2.0 x16\_3 slot is disabled on 16-Lane and 28-Lane CPUs.

## 1.1.6 Onboard buttons and switches

Onboard buttons and switches allow you to fine-tune performance when working on a bare or open-case system. This is ideal for overclockers and gamers who continually change settings to enhance system performance.

### 1. MemOK! button

Installing DIMMs that are not compatible with the motherboard may cause system boot failure. If the system fails to boot during POST stage and the DRAM\_LED near the MemOK! button lights continuously, press the MemOK! button until the DRAM\_LED starts blinking. System will begin automatic memory compatibility tuning and reboot for successful boot.



**TUF X299 MARK 2 MemOK! button**

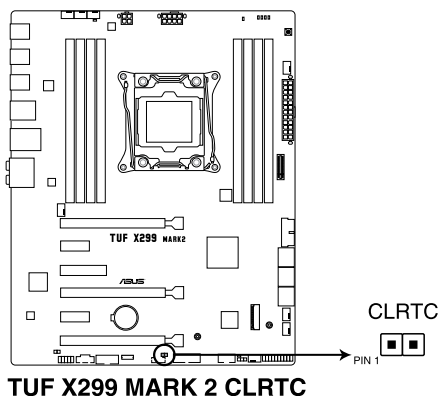


- Refer to section 1.1.8 **Onboard LEDs** for the exact location of the DRAM\_LED.
- The DRAM\_LED also lights up when the DIMM is not properly installed. Turn off the system and reinstall the DIMM before using the MemOK! function.
- The MemOK! button does not function under Windows® OS environment.
- During the tuning process, the system loads and tests failsafe memory settings. It takes about 30 seconds for the system to test one set of failsafe settings. If the test fails, the system reboots and tests the next set of failsafe settings. The blinking speed of the DRAM\_LED increases, indicating different test processes.
- Due to memory tuning requirement, the system automatically reboots when each timing set is tested. If the installed DIMMs still fail to boot after the whole tuning process, the DRAM\_LED lights continuously. Replace the DIMMs with ones recommended in the Memory QVL (Qualified Vendors Lists) at [www.asus.com](http://www.asus.com).
- If you turn off the computer and replace DIMMs during the tuning process, the system continues memory tuning after turning on the computer. To stop memory tuning, turn off the computer and unplug the power cord for about 5–10 seconds.
- If your system fails to boot up due to BIOS overclocking, press the MemOK! button to boot and load the BIOS default settings. A message will appear during POST reminding you that the BIOS has been restored to its default settings.
- We recommend that you download and update to the latest BIOS version from [www.asus.com](http://www.asus.com) after using the MemOK! function.

## 1.1.7 Jumpers and holes

### 1. Clear RTC RAM jumper (2-pin CLRRTC)

This jumper allows you to clear the Real Time Clock (RTC) RAM in CMOS. You can clear the CMOS memory of date, time, and system setup parameters by erasing the CMOS RTC RAM data. The onboard button cell battery powers the RAM data in CMOS, which include system setup information such as system passwords.



To erase the RTC RAM:

1. Turn OFF the computer and unplug the power cord.
2. Short-circuit pin 1-2 with a metal object or jumper cap for about 5-10 seconds.
3. Plug the power cord and turn ON the computer.
4. Hold down the <Delete> key during the boot process and enter BIOS setup to re-enter data.



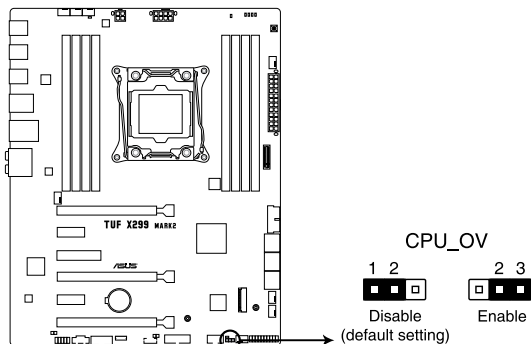
Except when clearing the RTC RAM, never place a metal object or jumper cap on the CLRRTC jumper. Placing a metal object or jumper cap will cause system boot failure!



- If the steps above do not help, remove the onboard battery and place a metal object or jumper cap again to clear the CMOS RTC RAM data. After the CMOS clearance, reinstall the battery.
- You do not need to clear the RTC when the system hangs due to overclocking. For system failure due to overclocking, use the C.P.R. (CPU Parameter Recall) feature. Shut down and reboot the system so the BIOS can automatically reset parameter settings to default values.
- Due to the chipset behavior, AC power off is required to enable C.P.R. function. You must turn off and turn on the power supply or unplug and plug the power cord before rebooting the system.

## 2. CPU Over Voltage jumper (3-pin CPU\_OV)

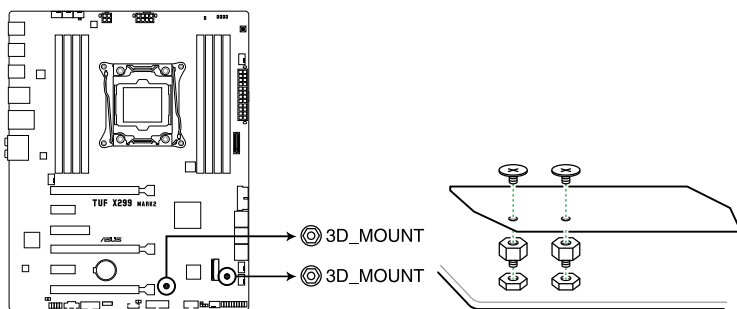
The CPU Over Voltage jumper allows you to set a higher CPU voltage for a flexible overclocking system, depending on the type of the installed CPU. To gain more CPU voltage setting, insert the jumper to pins 2-3. To go back to its default CPU voltage setting, insert the jumper to pins 1-2.



**TUF X299 MARK 2 CPU\_OV setting**

## 3. 3D Mount

Secure 3D printed parts to these 3D Mount holes for a personalized motherboard.



**TUF X299 MARK 2 3D Mount**

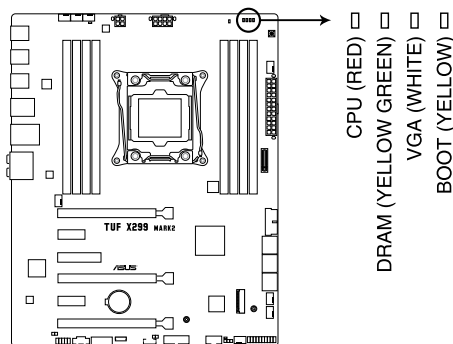


Download 3D source files at <http://www.asus.com>.

## 1.1.8 Onboard LEDs

### 1. POST State LEDs

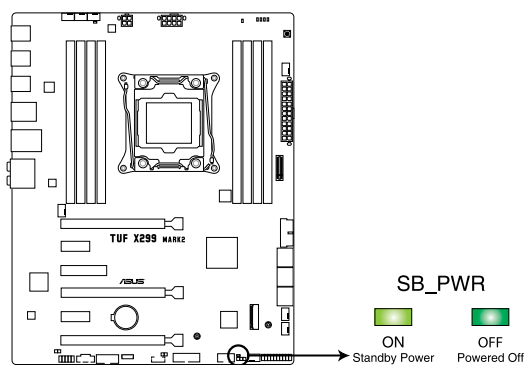
The POST State LEDs provide the status of these key components during POST (Power-On Self-Test): CPU, memory modules, VGA card, and hard disk drives. If an error is found, the critical component's LED stays lit up until the problem is solved.



**TUF X299 MARK 2 CPU/ DRAM/  
BOOT\_DEVICE/ VGA LED**

### 2. Standby Power LED

The motherboard comes with a standby power LED. The LED lights up to indicate that the system is ON, in sleep mode, or in soft-off mode. This is a reminder that you should shut down the system and unplug the power cable before removing or plugging in any motherboard component. The illustration below shows the location of the onboard LED.



**TUF X299 MARK 2 Standby Power LED**

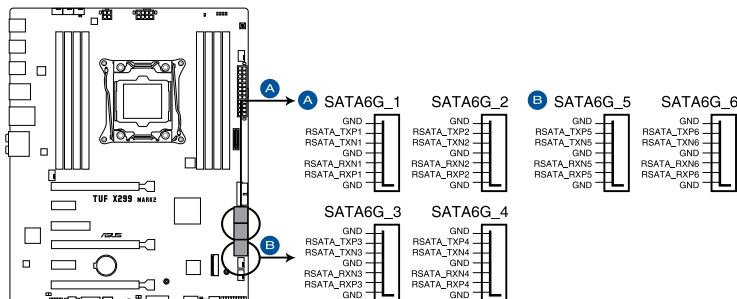


## 1.1.9 Internal connectors

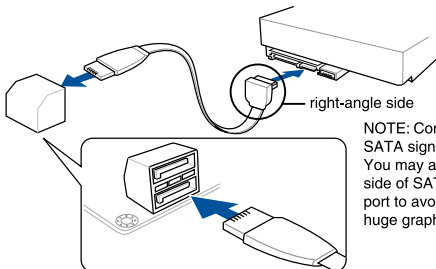
### 1. Intel® Serial ATA 6 Gb/s connectors (7-pin SATA6G\_12; SATA 6G\_34; SATA 6G\_56)

These connectors connect to Serial ATA 6 Gb/s hard disk drives via Serial ATA 6 Gb/s signal cables.

If you installed Serial ATA hard disk drives, you can create a RAID 0, 1, 5, and 10 configuration with the Intel® Rapid Storage Technology through the onboard Intel® X299 chipset.



TUF X299 MARK 2 Intel® Serial ATA 6 Gb/s connectors



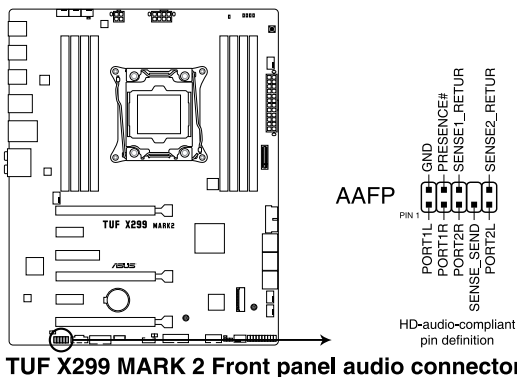
NOTE: Connect the right-angle side of SATA signal cable to SATA device. You may also connect the right-angle side of SATA cable to the onboard SATA port to avoid mechanical conflict with huge graphics cards.



These connectors are set to **[AHCI Mode]** by default. If you intend to create a Serial ATA RAID set using these connectors, set the SATA Mode item in the BIOS to **[Intel RST Premium With Intel Optane System Acceleration (RAID)]**.

## 2. Front panel audio connector (10-1 pin AAFP)

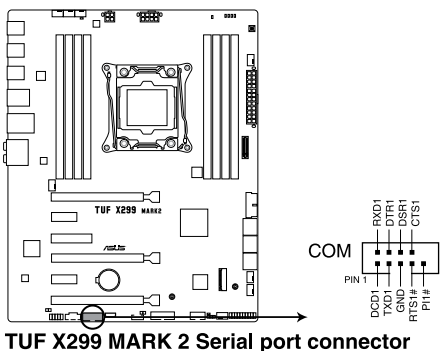
This connector is for a chassis-mounted front panel audio I/O module that supports HD Audio. Connect one end of the front panel audio I/O module cable to this connector.



We recommend that you connect a high-definition front panel audio module to this connector to avail of the motherboard's high-definition audio capability.

## 15. Serial port connector (10-1 pin COM)

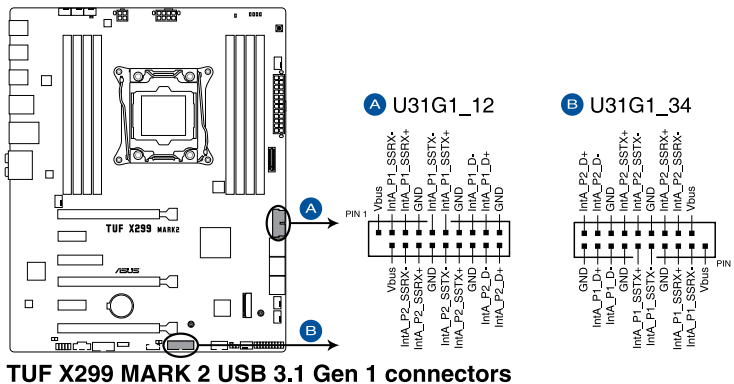
This connector is for a serial (COM) port. Connect the serial port module cable to this connector, then install the module to a slot opening at the back of the system chassis.



The COM module is purchased separately.

#### 4. USB 3.1 Gen 1 connectors (20-pin U31G1\_12; U31G1\_34)

These connectors allow you to connect a USB 3.1 Gen 1 module for additional USB 3.1 Gen 1 front or rear panel ports. With an installed USB 3.1 Gen 1 module, you can enjoy all the benefits of USB 3.1 Gen 1 including faster data transfer speeds of up to 5 Gb/s, faster charging time for USB-chargeable devices, optimized power efficiency, and backward compatibility with USB 2.0.



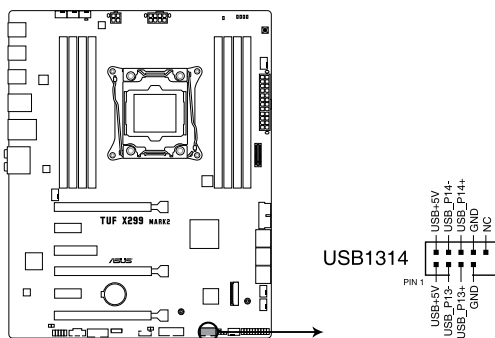
The USB 3.1 Gen 1 module is purchased separately.



- Ensure to install the related driver to fully use the USB 3.1 Gen 1 ports under Windows® 7.
- The plugged USB 3.1 Gen 1 device may run on xHCI or EHCI mode depending on the operating system's setting.

## 5. USB 2.0 connector (10-1 pin USB1314)

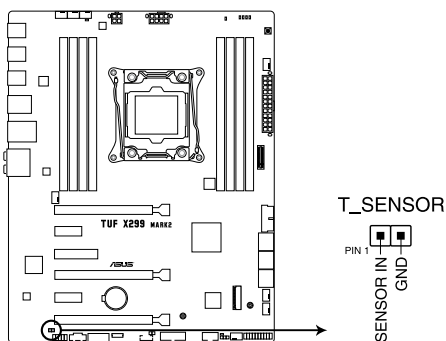
This connector is for USB 2.0 ports. Connect the USB module cable to this connector, then install the module to a slot opening at the back of the system chassis. This USB connector complies with USB 2.0 specification that supports up to 480 Mb/s connection speed.



**TUF X299 MARK 2 USB 2.0 connector**

## 6. Thermal sensor connector (2-pin T\_SENSOR)

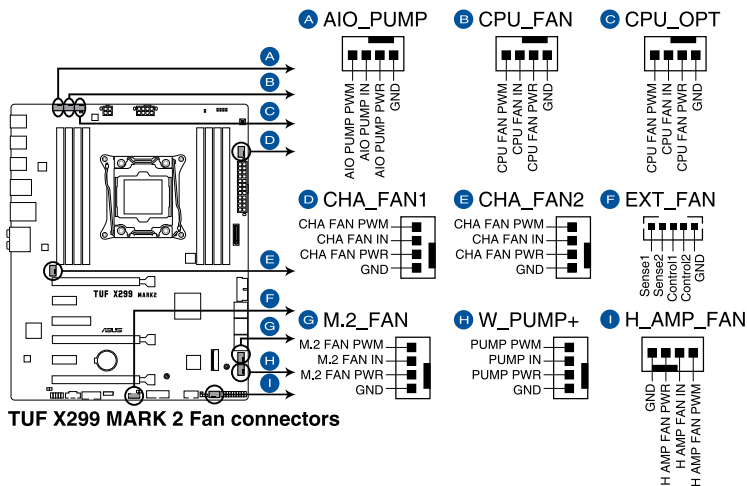
These connectors are for the thermistor cable that monitors the temperature of the devices and the critical components inside the motherboard. Connect the thermistor cable and place the sensor on the device or the motherboard's component to detect its temperature.



**TUF X299 MARK 2 Thermal sensor connector**

7. CPU, CPU optional, AIO pump, water pump+, high amp, extension, M.2, and chassis fan connectors (4-pin CPU\_FAN; 4-pin CPU\_OPT; 4-pin AIO\_PUMP; 4-pin W\_PUMP+; 4-pin H\_AMP\_FAN; 4-pin M.2\_FAN; 5-pin EXT\_FAN; 4-pin CHA\_FAN1-2)

Connect the fan cables to the fan connectors on the motherboard, ensuring that the black wire of each cable matches the ground pin of the connector.



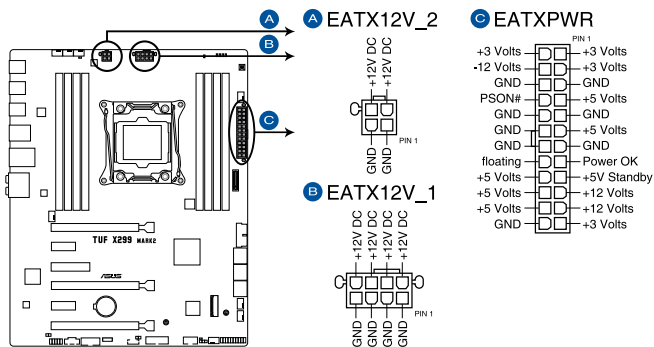
- DO NOT forget to connect the fan cables to the fan connectors. Insufficient air flow inside the system may damage the motherboard components. These are not jumpers! Do not place jumper caps on the fan connectors!
- Ensure that the CPU fan cable is securely installed to the CPU fan connector.



- The CPU\_FAN connector supports the CPU fan of maximum 1A (12 W) fan power.
- The CPU\_FAN, CHA\_FAN, and EXT\_FAN connectors support the TUF Thermal Radar 3 feature.
- For better Q-Fan functions, we recommend using 4-pin PWM fans when you connect powerful fans (1A or above) onto the H\_AMP\_FAN connector.
- Ensure to disable Q-Fan functions if you want to connect powerful 3-pin DC fans (1A or above) onto the H\_AMP\_FAN connector.
- W\_PUMP+ function support depends on water cooling device.
- Connect the fan of your water cooling kit to the AIO\_PUMP connector.

## 8. ATX power connectors (24-pin EATXPWR; 8-pin EATX12V\_1; 4-pin EATX12V\_2)

These connectors are for ATX power supply plugs. The power supply plugs are designed to fit these connectors in only one orientation. Find the proper orientation and push down firmly until the connectors completely fit.



**TUF X299 MARK 2 ATX power connectors**



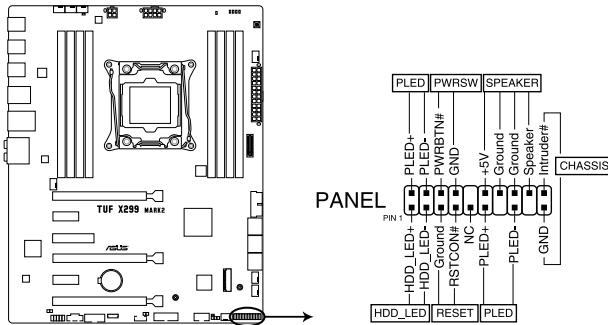
- DO NOT connect the 4-pin power plug only, the motherboard may overheat under heavy usage.
- Ensure to connect the 8-pin power plug, or connect both the 8-pin and 4-pin power plugs.



- For a fully configured system, we recommend that you use a power supply unit (PSU) that complies with ATX 12V Specification 2.0 (or later version) and provides a minimum power of 350 W.
- We recommend that you use a PSU with a higher power output when configuring a system with more power-consuming devices. The system may become unstable or may not boot up if the power is inadequate.
- If you want to use two or more high-end PCI Express x16 cards, use a PSU with 1000W power or above to ensure the system stability.

## 9. System panel connector (20-3 pin PANEL)

This connector supports several chassis-mounted functions.



**TUF X299 MARK 2 System panel connector**

- **System power LED (2-pin or 3-1 pin PLED)**

The 2-pin or 3-1 pin connector is for the system power LED. Connect the chassis power LED cable to this connector. The system power LED lights up when you turn on the system power, and blinks when the system is in sleep mode.

- **Hard disk drive activity LED (2-pin HDD\_LED)**

This 2-pin connector is for the HDD Activity LED. Connect the HDD Activity LED cable to this connector. The HDD LED lights up or flashes when data is read from or written to the HDD.

- **System warning speaker (4-pin SPEAKER)**

This 4-pin connector is for the chassis-mounted system warning speaker. The speaker allows you to hear system beeps and warnings.

- **ATX power button/soft-off button (2-pin PWRSW)**

This connector is for the system power button. Pressing the power button turns the system on or puts the system in sleep or soft-off mode depending on the operating system settings. Pressing the power switch for more than four seconds while the system is ON turns the system OFF.

- **Reset button (2-pin RESET)**

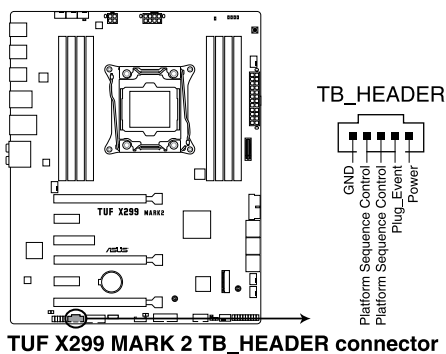
This 2-pin connector is for the chassis-mounted reset button for system reboot without turning off the system power.

- **Chassis intrusion connector (2-pin CHASSIS)**

This connector is for a chassis-mounted intrusion detection sensor or switch. Connect one end of the chassis intrusion sensor or switch cable to this connector. The chassis intrusion sensor or switch sends a high-level signal to this connector when a chassis component is removed or replaced. The signal is then generated as a chassis intrusion event.

## 10. Thunderbolt header (5-pin TB\_HEADER)

This connector is for the add-on Thunderbolt I/O card that supports Intel's Thunderbolt Technology, allowing you to connect up to six Thunderbolt-enabled devices and a DisplayPort-enabled display in a daisy-chain configuration.



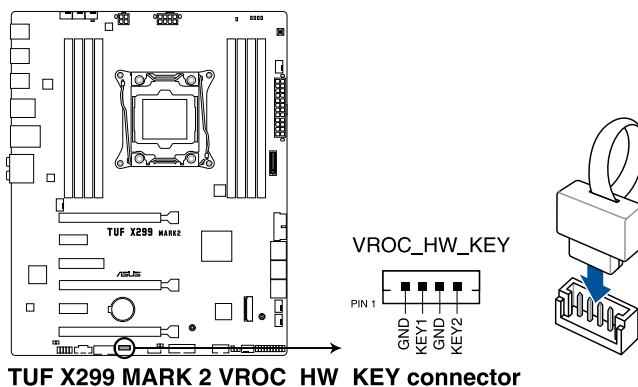
**TUF X299 MARK 2 TB\_HEADER connector**



The add-on Thunderbolt I/O card and Thunderbolt cables are purchased separately.

## 11. VROC\_HW\_KEY connector (4-pin VROC\_KEY)

This connector allows you to connect a KEY module to enable CPU RAID functions with Intel® CPU RSTe.



**TUF X299 MARK 2 VROC\_HW\_KEY connector**

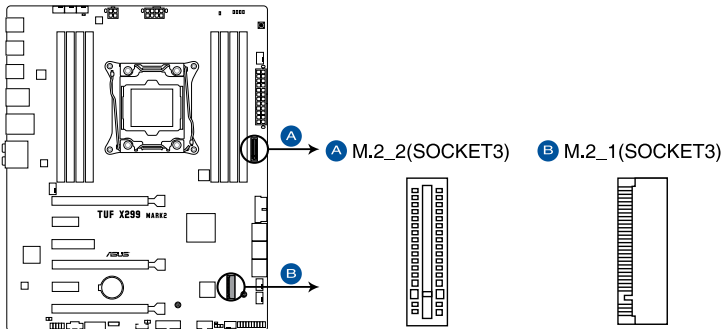


- The KEY module is purchased separately.
- Due to CPU behavior, CPU RAID functions with Intel® CPU RSTe only supports Intel® Core™ X-series Processors (6-core or above) and Intel® SSD modules.



## 12. M.2 sockets (M.2\_1(Socket 3); M.2\_2(Socket 3))

These sockets allow you to install M.2 SSD modules.



**TUF X299 MARK 2 M.2 sockets**



- M.2\_1 socket supports PCIe 3.0 x4 M Key design and type 2242 / 2260 / 2280 PCIe storage devices.
- M.2\_2 socket supports PCIe 3.0 x4 and SATA mode M Key design and type 2242 / 2260 / 2280 / 22110 PCIe and SATA storage devices.
- These sockets support IRST (Intel® Rapid Storage Technology).



The M.2 SSD module is purchased separately.



# Basic Installation

# 2

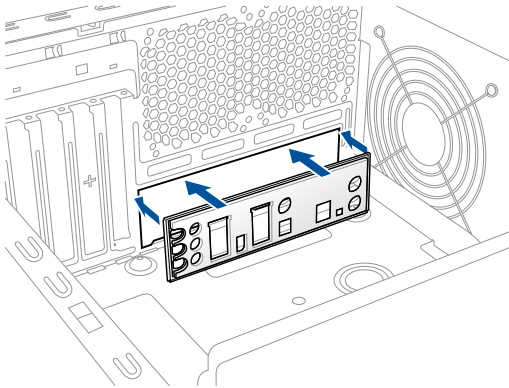
## 2.1 Building your PC system



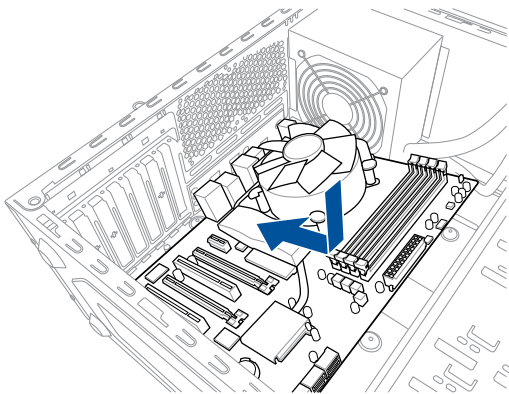
The diagrams in this section are for reference only. The motherboard layout may vary with models, but the installation steps are the same for all models.

### 2.1.1 Motherboard installation

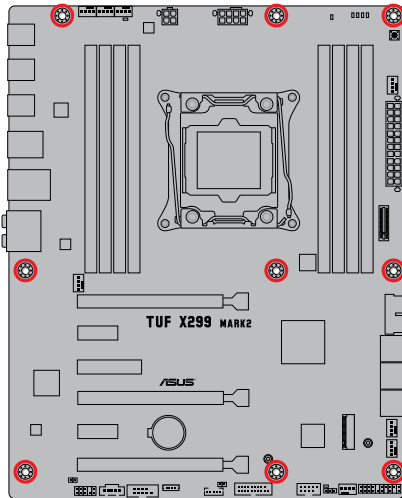
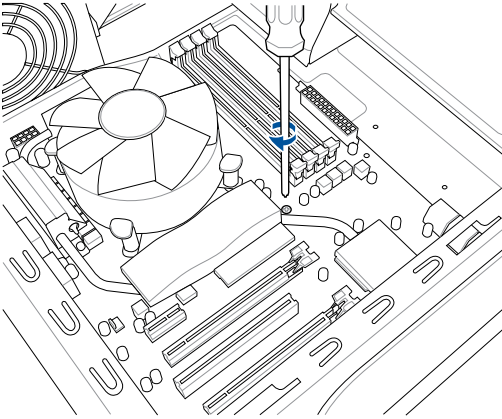
1. Install the ASUS Q-Shield to the chassis rear I/O panel.



2. Place the motherboard into the chassis, ensuring that its rear I/O ports are aligned to the chassis' rear I/O panel.



3. Place nine screws into the holes indicated by circles to secure the motherboard to the chassis.

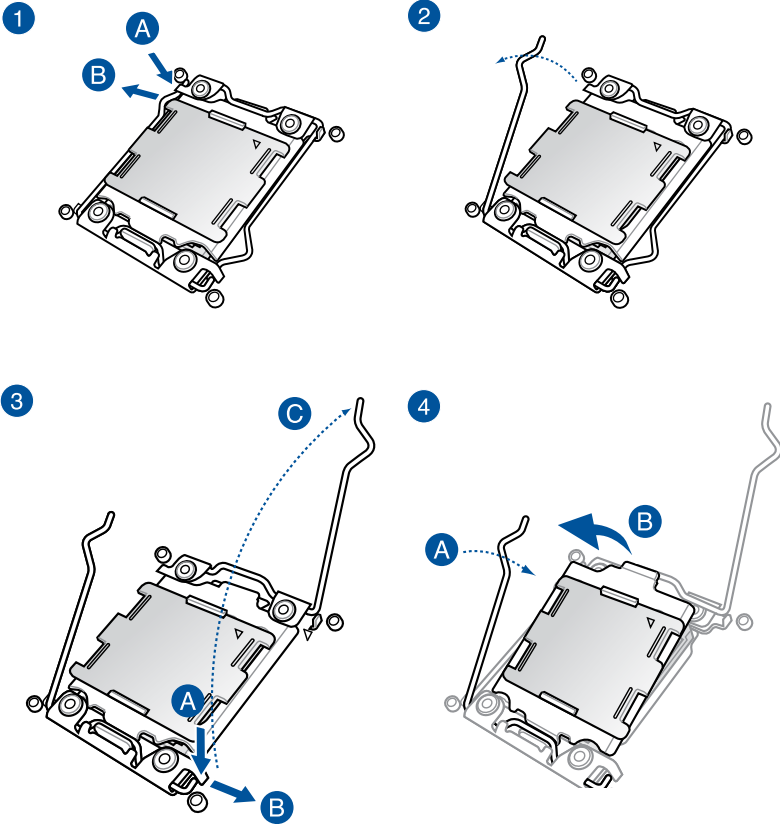


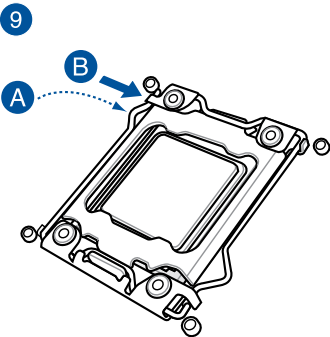
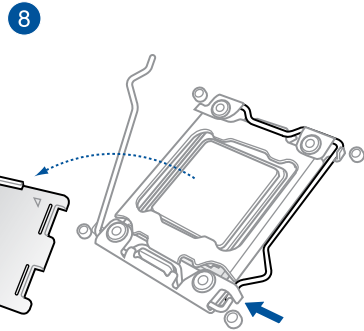
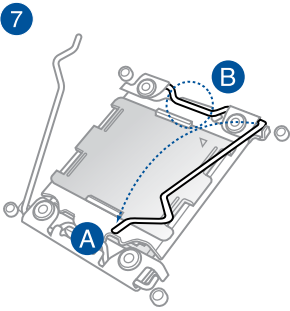
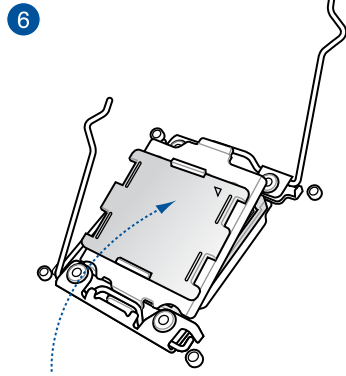
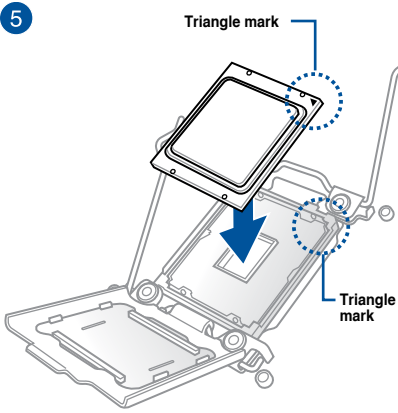
DO NOT overtighten the screws! Doing so can damage the motherboard.

## 2.1.2 CPU installation

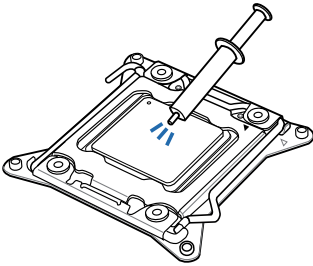


Please note the order in opening/ closing the double latch. Follow the instructions printed on the metal sealing hatch or the illustrations shown below in this manual. The plastic cap will pop up automatically once the CPU is in place and the hatch properly sealed down.



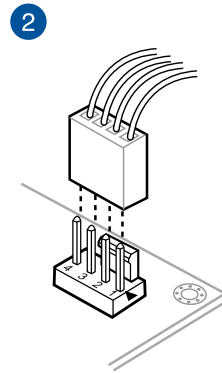
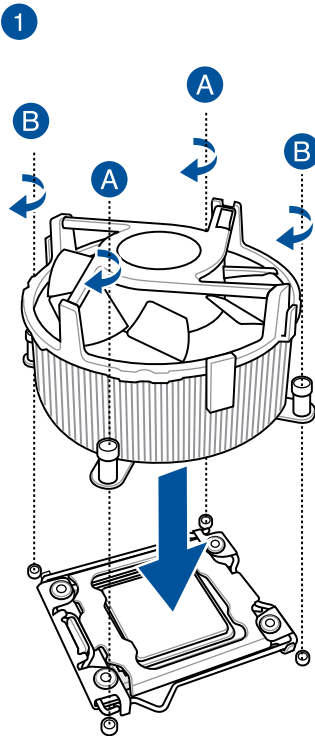


## 2.1.3 CPU heatsink and fan assembly installation

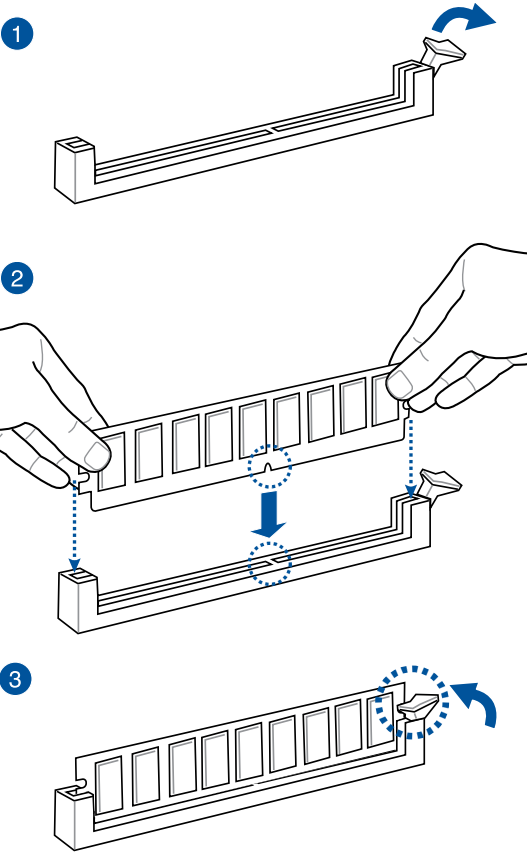


Apply the Thermal Interface Material to the CPU heatsink and CPU before you install the heatsink and fan, if necessary.

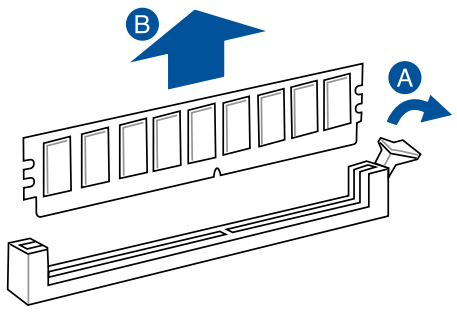
To install the CPU heatsink and fan assembly



## 2.1.4 DIMM installation



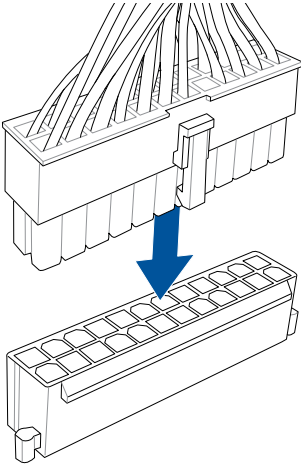
### To remove a DIMM



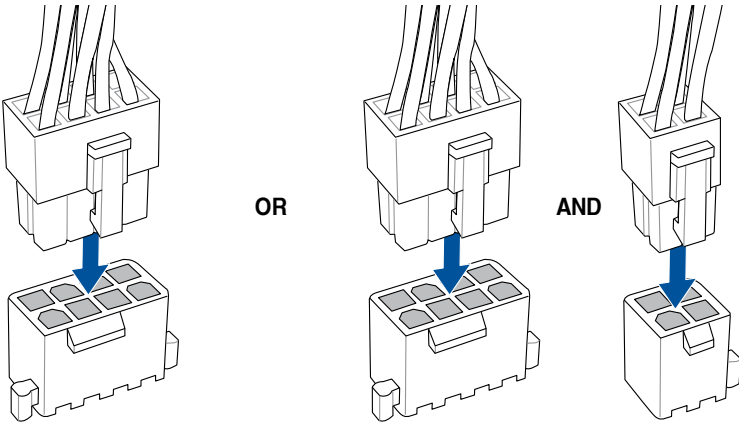


## 2.1.5 ATX power connection

1

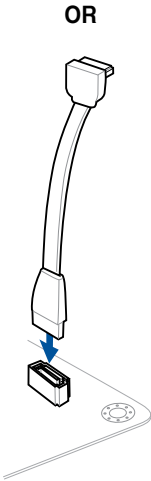
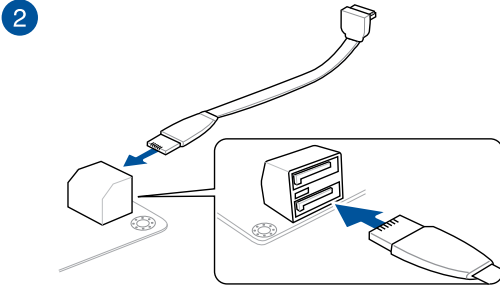
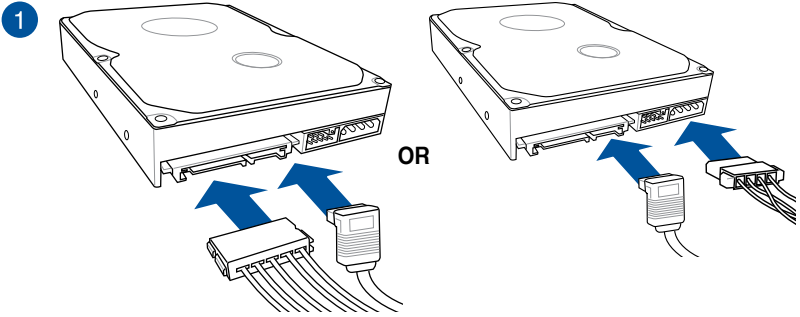


2



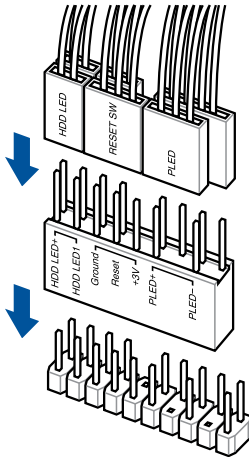
- DO NOT connect the 4-pin power plug only, the motherboard may overheat under heavy usage.
- Ensure to connect the 8-pin power plug, or connect both the 8-pin and 4-pin power plugs.

## 2.1.6 SATA device connection

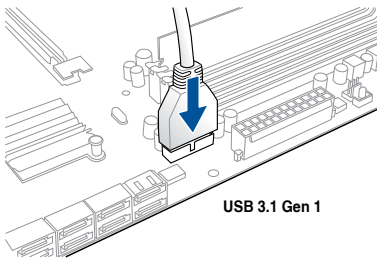


## 2.1.7 Front I/O connector

### To install ASUS Q-Connector

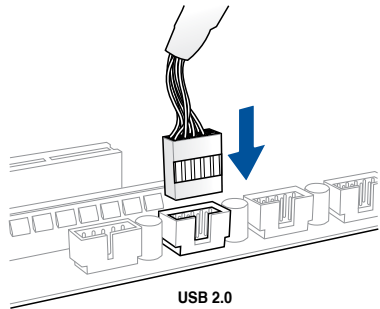


### To install USB 3.1 Gen 1 connector



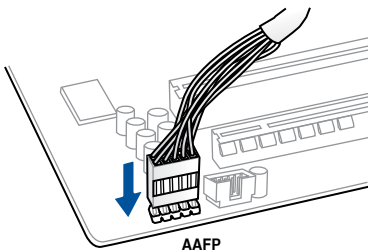
USB 3.1 Gen 1

### To install USB 2.0 connector



USB 2.0

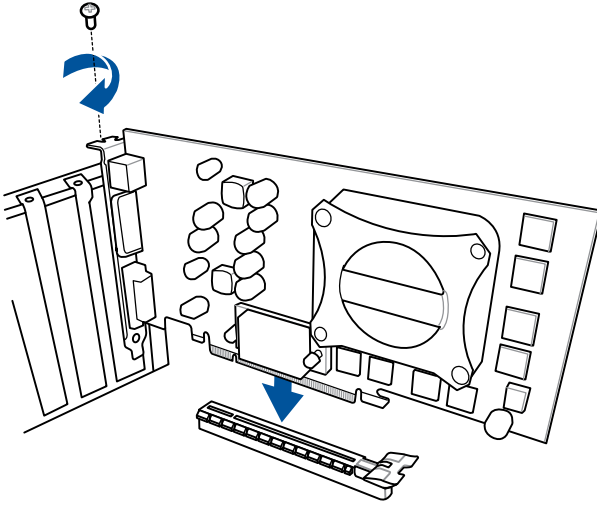
### To install front panel audio connector



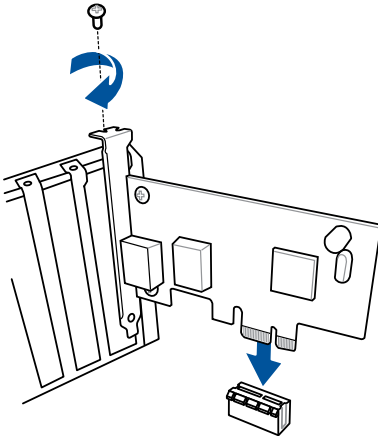
AAFP

## 2.1.8 Expansion Card installation

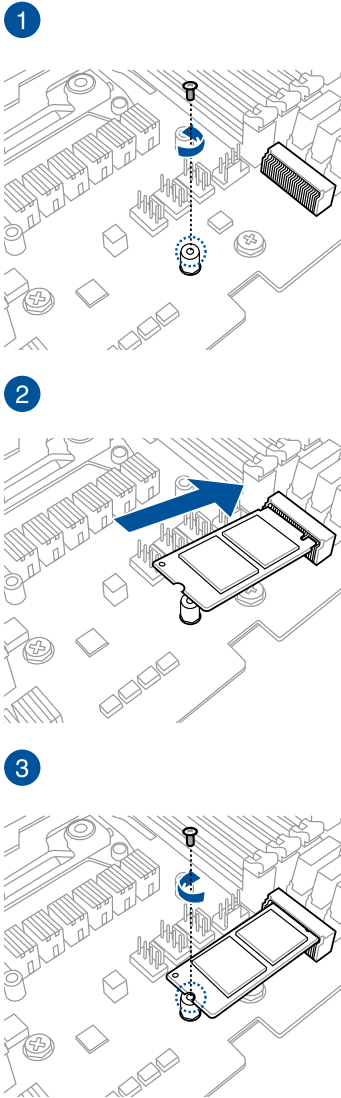
To install PCIe x16 cards



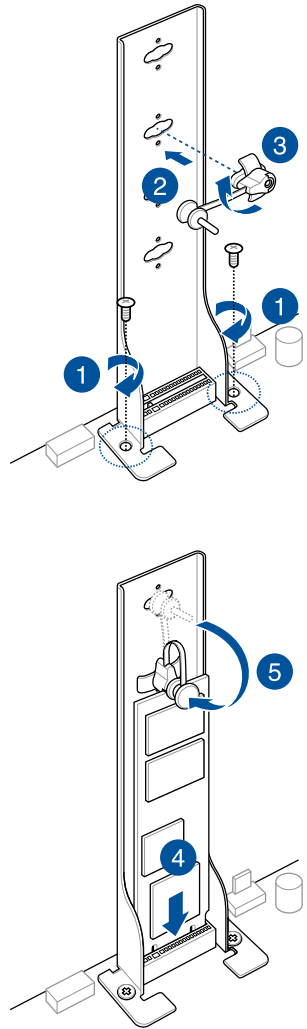
To install PCIe x1 cards



## 2.1.9 M.2 installation



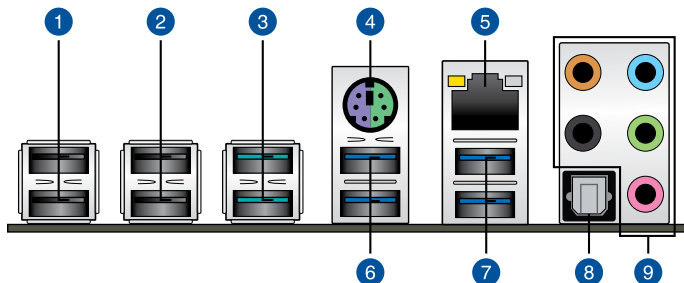
OR



Supported M.2 type varies per motherboard.

## 2.2 Motherboard rear and audio connections

### 2.2.1 Rear I/O connection



#### Rear panel connectors

1. USB 2.0 ports 9 and 10	6. USB 3.1 Gen 1 ports 5 (bottom port) and 6 (top port)
2. USB 2.0 ports 11 and 12	7. USB 3.1 Gen 1 ports 7 and 8
3. USB 3.1 Gen 2 Type-A ports E12	8. Optical S/PDIF Out port
4. PS/2 mouse/keyboard combo port	9. Audio I/O ports**
5. Intel® LAN port*	

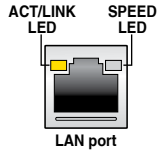
\*and \*\*: Refer to the tables on the next page for LAN port LEDs, and audio port definitions.



- USB 3.1 Gen 1/Gen 2 devices can only be used as data storage only.
- We strongly recommend that you connect your devices to ports with matching data transfer rate. Please connect your USB 3.1 Gen 1 devices to USB 3.1 Gen 1 ports and your USB 3.1 Gen 2 devices to USB 3.1 Gen 2 ports for faster and better performance for your devices.

**\* LAN ports LED indications**

Activity Link LED		Speed LED	
Status	Description	Status	Description
Off	No link	Off	10 Mbps connection
Orange	Linked	Orange	100 Mbps connection
Orange (Blinking)	Data activity	Green	1 Gbps connection
Orange (Blinking then steady)	Ready to wake up from S5 mode		



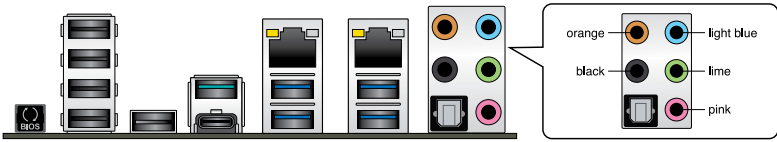
You can disable the LAN controllers in BIOS. Due to hardware design, the LAN1 port's LEDs may continue to blink even when disabled.

**\*\* Audio 2, 4, 6 or 8-channel configuration**

Port	Headset 2-channel	4-channel	6-channel	8-channel
Light Blue	Line In	Line In	Line In	Side Speaker Out
Lime	Line Out	Front Speaker Out	Front Speaker Out	Front Speaker Out
Pink	Mic In	Mic In	Mic In	Mic In
Orange	–	–	Center/Sub woofer	Center/Sub woofer
Black	–	Rear Speaker Out	Rear Speaker Out	Rear Speaker Out

## 2.2.2 Audio I/O connections

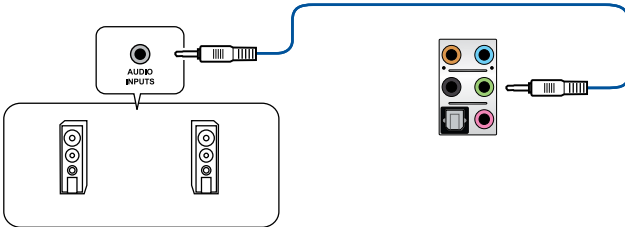
### Audio I/O ports



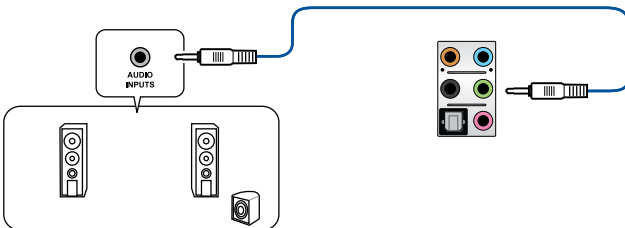
### Connect to Headphone and Mic



### Connect to Stereo Speakers

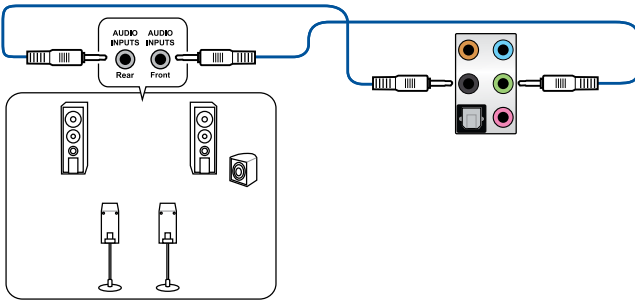


### Connect to 2 Speakers

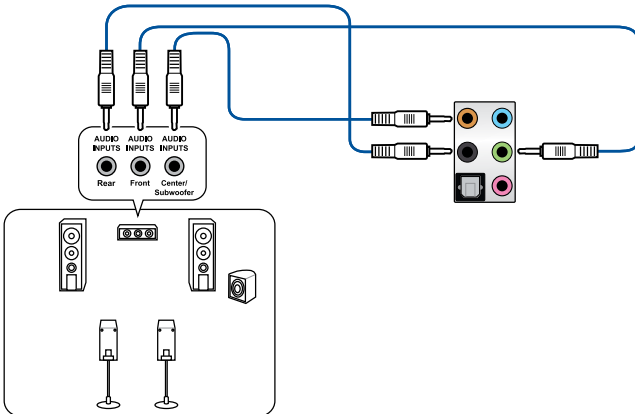




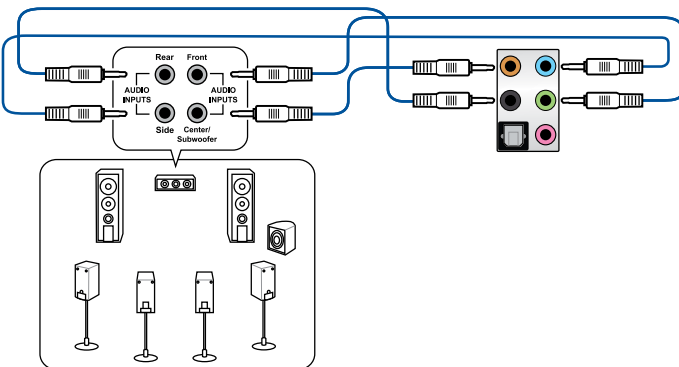
## Connect to 4 Speakers



## Connect to 6 Speakers



## Connect to 8 Speakers



## 2.3 Starting up for the first time

1. After making all the connections, replace the system case cover.
2. Ensure that all switches are off.
3. Connect the power cord to the power connector at the back of the system chassis.
4. Connect the power cord to a power outlet that is equipped with a surge protector.
5. Turn on the devices in the following order:
  - a. Monitor
  - b. External SCSI devices (starting with the last device on the chain)
  - c. System power
6. After applying power, the system power LED on the system front panel case lights up. For systems with ATX power supplies, the system LED lights up when you press the ATX power button. If your monitor complies with the “green” standards or if it has a “power standby” feature, the monitor LED may light up or change from orange to green after the system LED turns on.

The system then runs the power-on self tests (POST). While the tests are running, the BIOS beeps (refer to the BIOS beep codes table) or additional messages appear on the screen. If you do not see anything within 30 seconds from the time you turned on the power, the system may have failed a power-on test. Check the jumper settings and connections or call your retailer for assistance.

BIOS Beep	Description
One short beep	VGA detected Quick boot set to disabled No keyboard detected
One continuous beep followed by two short beeps then a pause (repeated)	No memory detected
One continuous beep followed by three short beeps	No VGA detected
One continuous beep followed by four short beeps	Hardware component failure

7. At power on, hold down the <Delete> key to enter the BIOS Setup. Follow the instructions in Chapter 3.

## 2.4 Turning off the computer

While the system is ON, press the power button for less than four seconds to put the system on sleep mode or soft-off mode, depending on the BIOS setting. Press the power switch for more than four seconds to let the system enter the soft-off mode regardless of the BIOS setting.

# BIOS Setup

# 3

## 3.1 Knowing BIOS



---

The new ASUS UEFI BIOS is a Unified Extensible Interface that complies with UEFI architecture, offering a user-friendly interface that goes beyond the traditional keyboard-only BIOS controls to enable a more flexible and convenient mouse input. You can easily navigate the new UEFI BIOS with the same smoothness as your operating system. The term "BIOS" in this user manual refers to "UEFI BIOS" unless otherwise specified.

---

BIOS (Basic Input and Output System) stores system hardware settings such as storage device configuration, overclocking settings, advanced power management, and boot device configuration that are needed for system startup in the motherboard CMOS. In normal circumstances, the default BIOS settings apply to most conditions to ensure optimal performance. **DO NOT change the default BIOS settings** except in the following circumstances:

- An error message appears on the screen during the system bootup and requests you to run the BIOS Setup.
- You have installed a new system component that requires further BIOS settings or update.



---

Inappropriate BIOS settings may result in instability or boot failure. **We strongly recommend that you change the BIOS settings only with the help of a trained service personnel.**

---



- When downloading or updating the BIOS file, rename it as **X299TUF2.CAP** for this motherboard.
  - BIOS settings and options may vary due to different BIOS release versions. Please refer to the latest BIOS version for settings and options.
-

## 3.2 BIOS setup program

Use the BIOS Setup to update the BIOS or configure its parameters. The BIOS screen include navigation keys and brief onscreen help to guide you in using the BIOS Setup program.

### Entering BIOS at startup

To enter BIOS Setup at startup, press <Delete> or <F2> during the Power-On Self Test (POST). If you do not press <Delete> or <F2>, POST continues with its routines.

### Entering BIOS Setup after POST

To enter BIOS Setup after POST:

- Press <Ctrl>+<Alt>+<Delete> simultaneously.
- Press the reset button on the system chassis.
- Press the power button to turn the system off then back on. Do this option only if you failed to enter BIOS Setup using the first two options.

After doing either of the three options, press <Delete> key to enter BIOS.



- 
- The BIOS setup screens shown in this section are for reference purposes only, and may not exactly match what you see on your screen.
  - Ensure that a USB mouse is connected to your motherboard if you want to use the mouse to control the BIOS setup program.
  - If the system becomes unstable after changing any BIOS setting, load the default settings to ensure system compatibility and stability. Select the **Load Optimized Defaults** item under the **Exit** menu or press hotkey <F5>. See section 3.10 **Exit Menu** for details.
  - If the system fails to boot after changing any BIOS setting, try to clear the CMOS and reset the motherboard to the default value. See section 1.1.6 **Onboard buttons and switches** for information on how to erase the RTC RAM via the Clear CMOS button.
  - The BIOS setup program does not support the Bluetooth devices.
- 



---

Please visit ASUS website for the detailed BIOS content manual.

---

### BIOS menu screen

The BIOS Setup program can be used under two modes: **EZ Mode** and **Advanced Mode**. You can change modes from **Setup Mode** in **Boot menu** or by pressing the <F7> hotkey.

### 3.2.1 EZ Mode

The EZ Mode provides you an overview of the basic system information, and allows you to select the display language, system performance, mode and boot device priority. To access the Advanced Mode, select **Advanced Mode** or press the <F7> hotkey for the advanced BIOS settings.



The default screen for entering the BIOS setup program can be changed. Refer to the **Setup Mode** item in section **Boot menu** for details.

The screenshot shows the 'UEFI BIOS Utility - EZ Mode' interface. It features several sections: 'Information' (system details), 'CPU Temperature' (32°C), 'CPU Core Voltage' (1.056 V), 'Motherboard Temperature' (28°C), 'DRAM Status', 'SATA Information', 'Intel Rapid Storage Technology' (On/Off), 'CPU FAN' speed graph, 'FAN Profile' (CPU FAN, CHA1-4 FAN, HAMP, CPU OPT FAN), 'EZ System Tuning' (Power Saving), 'Boot Priority' (P1: ST3250823AS, P2: ADATA S596 Turbo), and 'Boot Menu(F8)'. At the bottom, there are navigation options: Default(F5), Save & Exit(F10), Advanced Mode(F7), and Search on FAQ.

**Displays the system properties of the selected mode. Click < or > to switch EZ System Tuning modes**

**Displays the CPU/motherboard temperature, CPU voltage output, CPU/chassis/power fan speed, and SATA information**

**Selects the display language of the BIOS setup program**

**Creates storage RAID and configures system overclocking**

**Enables or disables the SATA RAID mode for Intel Rapid Storage Technology**

**Displays the CPU Fan's speed. Click the button to manually tune the fans**

**Loads optimized default settings**

**Saves the changes and resets the system**

**Click to go to Advanced mode**

**Search on the FAQ**

**Click to display boot devices**

**Selects the boot device priority**



The boot device options vary depending on the devices you installed to the system.

### 3.2.2 Advanced Mode

The Advanced Mode provides advanced options for experienced end-users to configure the BIOS settings. The figure below shows an example of the Advanced Mode. Refer to the following sections for the detailed configurations.



To switch from EZ Mode to Advanced Mode, click **Advanced Mode(F7)** or press the <F7> hotkey.

The screenshot shows the BIOS Advanced Mode interface. At the top, there is a menu bar with options: My Favorites, Main, **AI Tweaker**, Advanced, Monitor, Boot, Tool, and Exit. A scroll bar is visible on the right side of the menu bar. Below the menu bar, the main configuration area is divided into several sections:

- Configuration fields:** Target CPU Turbo-Mode Frequency : 3500MHz, Target CPU @ AVX Frequency : 3500MHz, Target DRAM Frequency : 2133MHz, Target Cache Frequency : 3200MHz.
- AI Overclock Tuner:** A dropdown menu currently set to 'Auto', with 'Manual' also visible.
- ASUS MultiCore Enhancement:** A section with various sub-options.
- AVX Instruction Core Ratio Negative Offset:** A dropdown menu set to '0'.
- CPU Core Ratio:** A dropdown menu set to 'Sync All Cores'.
- 1-Core Ratio Limit:** A dropdown menu set to 'Auto'.
- 2-Core Ratio Limit:** A dropdown menu set to 'Auto'.
- 3-Core Ratio Limit:** A dropdown menu set to 'Auto'.
- 4-Core Ratio Limit:** A dropdown menu set to 'Auto'.
- RFLK Frequency : DRAM Frequency Ratio:** A dropdown menu set to 'Auto'.

On the right side, there is a **Hardware Monitor** section displaying:

- CPU:** Frequency 3300 MHz, Temperature 32°C, BCLK 100.0 MHz, Core Voltage 1.056 V, Ratio 33x.
- Memory:** Frequency 2133 MHz, Vol\_CHCD 1.216 V, Capacity 4096 MB.
- Voltage:** +12V +5V 12.288 V 5.000 V, +3.3V 3.280 V.

At the bottom of the interface, there is a footer area with the following labels:

- Menu items:** Points to the top menu bar.
- General help:** Points to the information icon (i) in the RFLK section.
- Last modified settings:** Points to the 'Last Modified' text.
- Go back to EZ Mode:** Points to the 'EZ Mode(F7)' button.
- Search on FAQ:** Points to the search icon.

Additional labels include 'Pop-up Menu' pointing to the gear icon, 'Language' pointing to the globe icon, 'MyFavorite(F3)' pointing to the folder icon, 'Qfan Control(F6)' pointing to the fan icon, 'EZ Tuning Wizard(F11)' pointing to the wizard icon, and 'Hot Keys' pointing to the keyboard icon.

Displays the CPU temperature, CPU, and memory voltage output

## Menu bar

The menu bar on top of the screen has the following main items:

<b>My Favorites</b>	For saving the frequently-used system settings and configuration.
<b>Main</b>	For changing the basic system configuration
<b>Ai Tweaker</b>	For changing the overclocking settings
<b>Advanced</b>	For changing the advanced system settings
<b>Monitor</b>	For displaying the system temperature, power status, and changing the fan settings.
<b>Boot</b>	For changing the system boot configuration
<b>Tool</b>	For configuring options for special functions
<b>Exit</b>	For selecting the exit options and loading default settings

## Menu items

The highlighted item on the menu bar displays the specific items for that menu. For example, selecting **Main** shows the Main menu items.

The other items (My Favorites, Ai Tweaker, Advanced, Monitor, Boot, Tool, and Exit) on the menu bar have their respective menu items.

## Submenu items

A greater than sign (>) before each item on any menu screen means that the item has a submenu. To display the submenu, select the item and press <Enter>.

## Language

This button above the menu bar contains the languages that you can select for your BIOS. Click this button to select the language that you want to display in your BIOS screen.

## My Favorites (F3)

This button above the menu bar shows all BIOS items in a Tree Map setup. Select frequently-used BIOS settings and save it to MyFavorites menu.



---

Refer to section **3.3 My Favorites** for more information.

---

## Q-Fan Control (F6)

This button above the menu bar displays the current settings of your fans. Use this button to manually tweak the fans to your desired settings.



---

Refer to section **3.2.3 QFan Control** for more information.

---

## EZ Tuning Wizard (F11)

This button above the menu bar allows you to view and tweak the overclocking settings of your system. It also allows you to change the motherboard's SATA mode from AHCI to RAID mode.



---

Refer to section **3.2.4 EZ Tuning Wizard** for more information.

---

## Search on FAQ

Move your mouse over this button to show a QR code, scan this QR code on your mobile device to connect to the BIOS FAQ web page of the ASUS support website. You can also scan the following QR code:



## Hot keys

This button above the menu bar contains the navigation keys for the BIOS setup program. Use the navigation keys to select items in the menu and change the settings.

## Scroll bar

A scroll bar appears on the right side of a menu screen when there are items that do not fit on the screen. Press the Up/Down arrow keys or <Page Up> / <Page Down> keys to display the other items on the screen.

## General help

At the bottom of the menu screen is a brief description of the selected item. Use <F12> key to capture the BIOS screen and save it to the removable storage device.

## Configuration fields

These fields show the values for the menu items. If an item is user-configurable, you can change the value of the field opposite the item. You cannot select an item that is not user-configurable.

A configurable field is highlighted when selected. To change the value of a field, select it and press <Enter> to display a list of options.

## Last Modified button

This button shows the items that you last modified and saved in BIOS Setup.



### 3.2.3 QFan Control

The QFan Control allows you to set a fan profile or manually configure the operating speed of your CPU and chassis fans.

The screenshot shows the Q-Fan Control utility interface. At the top, it says "Q-Fan Control" and provides instructions: "Select your target fan and then move the slider to select any of these profiles: Standard, Silent, Turbo and Full Speed. You can also move the slider to Manual and manually configure the fan's operating speed." Below this is a list of fans: CPU FAN, CHA1 FAN, CHA2 FAN, M.2 FAN, W\_PUMP+, AIO PUMP, EXT FAN1, EXT FAN2, and EXT FAN3. A graph shows fan speed (%) on the y-axis (0 to 100) and temperature (°C) on the x-axis (0 to 100). The graph has a cyan line representing a fan profile. Below the graph are five radio buttons for profiles: Standard, Silent, Turbo, Full Speed, and Manual. At the bottom are three buttons: Undo, Apply, and Exit (ESC). Annotations with red lines point to various elements: "Click to select a fan to be configured" points to the fan list; "Click to activate PWM Mode" points to the PWM button; "Click to activate DC Mode" points to the DC button; "Select a profile to apply to your fans" points to the radio buttons; "Click to apply the fan setting" points to the Apply button; "Click to go back to main menu" points to the Exit (ESC) button; "Click to undo the changes" points to the Undo button; and "Select to manually configure your fans" points to the Manual radio button.

Q-Fan Control  
Select your target fan and then move the slider to select any of these profiles: Standard, Silent, Turbo and Full Speed. You can also move the slider to Manual and manually configure the fan's operating speed.

Click to select a fan to be configured

Click to activate PWM Mode

Click to activate DC Mode

Optimize All

- CPU FAN
- CHA1 FAN
- CHA2 FAN
- M.2 FAN
- W\_PUMP+
- AIO PUMP
- EXT FAN1
- EXT FAN2
- EXT FAN3

Standard Silent Turbo Full Speed Manual

Undo Apply Exit (ESC)

Select a profile to apply to your fans

Click to apply the fan setting

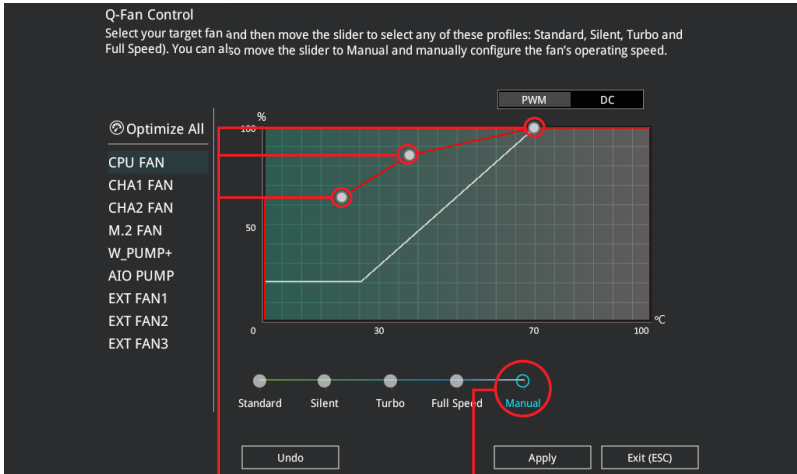
Click to go back to main menu

Click to undo the changes

Select to manually configure your fans

## Configuring fans manually

Select **Manual** from the list of profiles to manually configure your fans' operating speed.



Speed points

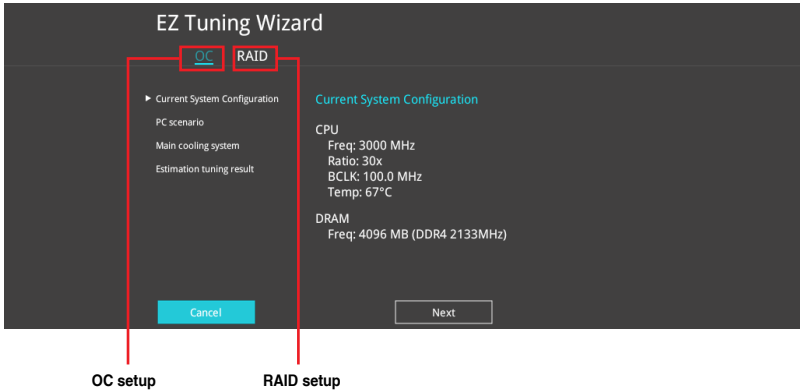
Select to manually  
configure your fans

To configure your fans:

1. Select the fan that you want to configure and to view its current status.
2. Click and drag the speed points to adjust the fans' operating speed.
3. Click **Apply** to save the changes then click **Exit (ESC)**.

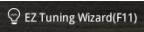
### 3.2.4 EZ Tuning Wizard

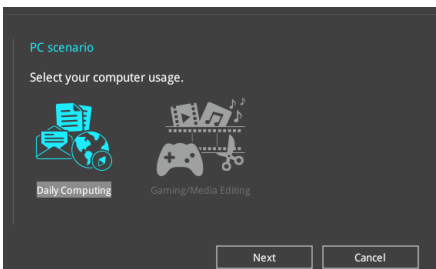
EZ Tuning Wizard allows you to easily overclock your CPU and DRAM, computer usage, and CPU fan to their best settings. You can also set RAID in your system using this feature.



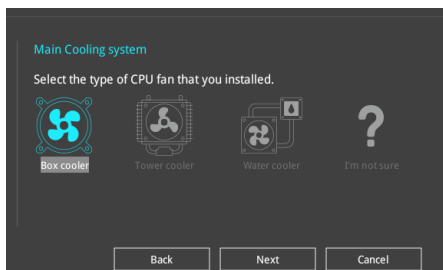
#### OC Tuning

To start OC Tuning:

1. Press <F11> on your keyboard or click  from the BIOS screen to open EZ Tuning Wizard screen.
2. Click **OC** then click **Next**.
3. Select a PC scenario **Daily Computing** or **Gaming/Media Editing**, then click **Next**.



4. Select a Main Cooling System **BOX cooler**, **Tower cooler**, **Water cooler**, or **I'm not sure**, then click **Next**.



5. After selecting the Main Cooling System, click **Next** then click **Yes** to start the OC Tuning.

## Creating RAID

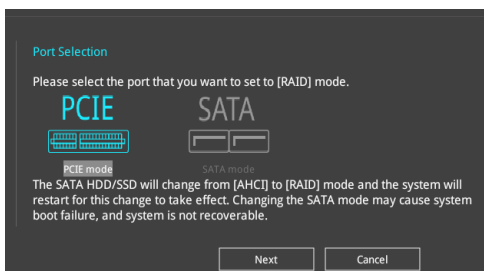
To create RAID:

1. Press <F11> on your keyboard or click **EZ Tuning Wizard(F11)** from the BIOS screen to open EZ Tuning Wizard screen.
2. Click **Yes** to enable RAID.

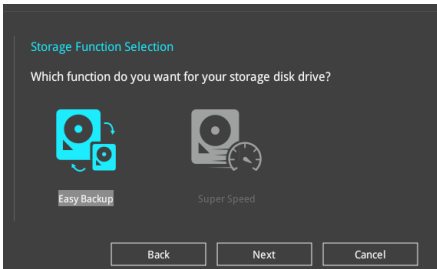


- Ensure that your HDDs have no existing RAID volumes.
- Ensure to connect your HDDs to Intel® SATA connectors.

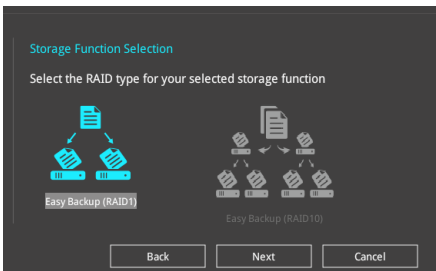
3. Select the port that you want to set to [RAID] mode, **PCIe** or **SATA**, then click **Next**.



4. Select the type of storage for your RAID, **Easy Backup** or **Super Speed**, then click **Next**.



- a. For Easy Backup, click **Next** then select from **Easy Backup (RAID 1)** or **Easy Backup (RAID 10)**.

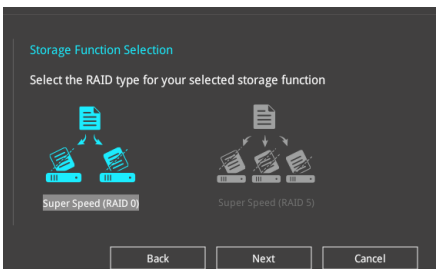


---

You can only select Easy Backup (RAID 10) if you connect four (4) HDDs.

---

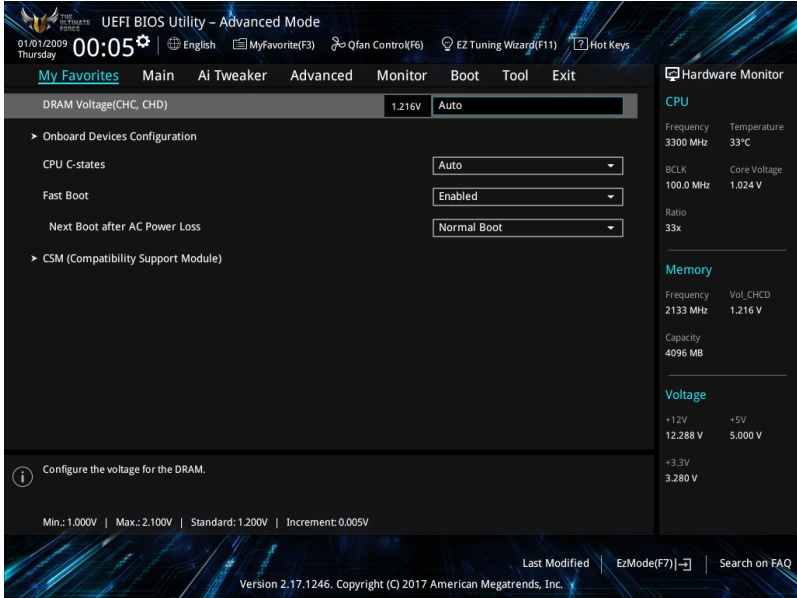
- b. For Super Speed, click **Next** then select from **Super Speed (RAID 0)** or **Super Speed (RAID 5)**.



5. After selecting the type of RAID, click **Next** then click **Yes** to continue the RAID setup.
6. After the RAID setup is done, click **Yes** to exit the setup then click **OK** to reset your system.

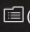
### 3.3 My Favorites

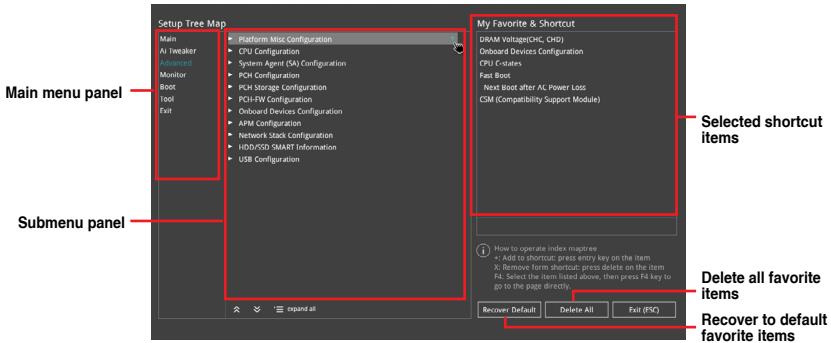
My Favorites is your personal space where you can easily save and access your favorite BIOS items. My Favorites comes with several performance, power saving, and fast boot related items by default. You can personalize this screen by adding or removing items.




## Adding items to My Favorites

To add BIOS items:

1. Press <F3> on your keyboard or click  (F3)MyFavorite from the BIOS screen to open Setup Tree Map screen.
2. On the Setup Tree Map screen, select the BIOS items that you want to save in My Favorites screen.



3. Select an item from main menu panel, then click the submenu that you want to save as favorite from the submenu panel and click  or press <Enter> on your keyboard.



You cannot add the following items to My Favorite items:

- Items with submenu options
- User-managed items such as language and boot order
- Configuration items such as Memory SPD Information, system time and date.

4. Click **Exit (ESC)** or press <Esc> key to close Setup Tree Map screen.
5. Go to My Favorites menu to view the saved BIOS items.

## 3.4 Main menu

The Main menu screen appears when you enter the Advanced Mode of the BIOS Setup program. The Main menu provides you an overview of the basic system information, and allows you to set the system date, time, language, and security settings.

### Security

The Security menu items allow you to change the system security settings.



- If you have forgotten your BIOS password, erase the CMOS Real Time Clock (RTC) RAM to clear the BIOS password. See section 1.1.6 **Onboard buttons and switches** for information on how to erase the RTC RAM via the Clear CMOS button.
- The Administrator or User Password items on top of the screen show the default **[Not Installed]**. After you set a password, these items show **[Installed]**.

## 3.5 Ai Tweaker menu

The Extreme Tweaker menu items allow you to configure overclocking-related items.



Be cautious when changing the settings of the Extreme Tweaker menu items. Incorrect field values can cause the system to malfunction



The configuration options for this section vary depending on the CPU and DIMM model you installed on the motherboard.

### Ai Overclock Tuner

Allows you to select the CPU overclocking options to achieve the desired CPU internal frequency. Configuration options:

- |          |   |
|----------|---|
| [Auto]   | Loads the optimal settings for the system.  |
| [Manual] | Allows you to individually set overclocking parameters.   |
| [X.M.P.] | If you install memory modules supporting the eXtreme Memory Profile (X.M.P.) Technology, choose this item to set the profiles supported by your memory modules for optimizing the system performance. |



The [X.M.P.] configuration option appears only when you install memory modules supporting the eXtreme Memory Profile(X.M.P.) Technology.



The following item appears only when you set the Ai Overclocking Tuner to **[Manual]**.

### BCLK Frequency

This item allows you to set the BCLK (base clock) frequency to enhance the system performance. Use the <+> or <-> to adjust the value.



We recommend you to set the value based on the CPU specification, as high BCLK frequencies may damage the CPU permanently.



## ASUS MultiCore Enhancement

- [Auto] This item allows you to maximize the overclocking performance optimized by ASUS core ratio settings.
- [Disabled] This item allows you to set to default core ratio settings.

## CPU Core Ratio

This item allows you to set the CPU core ratios.

Configuration options: [Auto] [Sync All Cores] [By Core Usage]

## BCLK Frequency : DRAM Frequency Ratio

- [Auto] The BCLK frequency to DRAM frequency ratio will be set to the optimized setting.
- [100:133] The BCLK frequency to DRAM frequency ratio will be set to 100:133.
- [100:100] The BCLK frequency to DRAM frequency ratio will be set to 100:100.

## DRAM Frequency

This item allows you to set the memory operating frequency. The configurable options vary with the BCLK (base clock) frequency setting. Select the auto mode to apply the optimized setting.

Configuration options: [Auto] [DDR4-800MHz] - [DDR4-4266MHz]

## TPU

This item allows you to automatically overclock the CPU and DRAM frequencies and voltage for an enhanced system performance.

- [Keep Current Settings] Keep the current settings without changing anything.
- [TPU I] Applies air cooling overclocking conditions.
- [TPU II] Applies water cooling overclocking conditions.



---

Ensure to use water cooling device before selecting [TPU II].

---

## Internal CPU Power Management

The subitems in this menu allow you to set the CPU ratio and features.

### Intel(R) SpeedStep(tm)

Allows the operating system to dynamically adjust the processor voltage and cores frequency to decrease the average power consumption and decrease average heat production. Configuration options: [Auto] [Enabled] [Disabled]

### Turbo Mode

Allows you to enable your processor cores to run faster than the base operating frequency when it is below power, current and specification limit. Configuration options: [Disabled] [Enabled]

## 3.6 Advanced menu

The Advanced menu items allow you to change the settings for the CPU and other system devices.



---

Be cautious when changing the settings of the Advanced menu items. Incorrect field values can cause the system to malfunction.

---

### 3.6.1 CPU Configuration

The items in this menu show the CPU-related information that the BIOS automatically detects.



---

The items in this menu may vary based on the CPU installed.

---

#### Hyper-threading

This item allows a hyper-threading processor to appear as two logical processors, allowing the operating system to schedule two threads or processors simultaneously.

Configuration options: [Disabled] [Enabled]

#### CPU Power Management Configuration

This item allows you to manage and configure the CPU's power.

##### Intel(R) SpeedStep(tm)

This item allows more than two frequency to be supported.

Configuration options: [Auto] [Enabled] [Disabled]

##### Turbo Mode

This item allows you to automatically set the CPU cores to run faster than the base operating frequency when it is below the operating power, current and temperature specification limit.

Configuration options: [Enabled] [Disabled]

##### CPU C-States

This item allows you to set the power saving of the CPU states.

Configuration options: [Auto] [Disabled] [Enabled]

### 3.6.2 Platform Misc Configuration

The items in this menu allow you to change the ASPM for PCH and SA PCI Express.

### 3.6.3 System Agent (SA) Configuration

The items in this menu allow you to adjust the Link Speed for PEG Port and Multi-Monitor.

### 3.6.4 PCH Configuration

The items in this menu allow you to adjust the PCH PCI Express speed.

#### PCI Express Configuration

This item allows you to configure the PCI Express slots.

##### PCIe Speed

This item allows your system to automatically select the PCI Express port speed.

Configuration options: [Auto] [Gen1 (2.5 GT/s)] [Gen2 (5 GT/s)] [Gen3 (8 GT/s)]

### 3.6.5 PCH Storage Configuration

While entering Setup, the BIOS automatically detects the presence of SATA devices. The SATA Port items show **Not Present** if no SATA device is installed to the corresponding SATA port.

#### SATA Controller(s)

This item allows you to enable or disable the SATA Device.

Configuration options: [Disabled] [Enabled]

#### SATA Mode Selection

This item allows you to set the SATA configuration.

[AHCI]	Set to [AHCI] when you want the SATA hard disk drives to use the AHCI (Advanced Host Controller Interface). The AHCI allows the onboard storage driver to enable advanced Serial ATA features that increases storage performance on random workloads by allowing the drive to internally optimize the order of commands.
[Intel RST Premium With Intel Optane System Acceleration (RAID)]	Set to [Intel RST Premium With Intel Optane System Acceleration (RAID)] when you want to create a RAID configuration from the SATA hard disk drives.

#### SMART Self Test

SMART (Self-Monitoring, Analysis and Reporting Technology) is a monitoring system that shows a warning message during POST (Power-on Self Test) when an error occurs in the hard disks.

Configuration options: [On] [Off]

#### SATA6G\_1 - SATA6G\_8

##### SATA6G\_1 - SATA6G\_8

This item allows you to enable or disable the selected SATA port.

Configuration options: [Disabled] [Enabled]

##### Hot Plug

These items appears only when the SATA Mode Selection is set to [**AHCI**] and allows you to enable or disable SATA Hot Plug Support.

Configuration options: [Disabled] [Enabled]

### 3.6.6 CPU Storage Configuration

The items in this menu allow you to configure CPU storage configurations.



- This menu will appear only when an Intel® Core™ X-series Processors (6-core or above) is installed.
- Due to CPU behavior, CPU RAID functions with Intel® CPU RSTe only supports Intel® Core™ X-series Processors (6-core or above) and Intel® SSD modules.

### 3.6.7 Onboard Devices Configuration

The items in this menu allow you to switch between PCIe Lanes and configure onboard devices.

#### HD Audio Controller

This item allows you to use the Azalia High Definition Audio Controller.

Configuration options: [Disabled] [Enabled]

#### RGB LED lighting

##### When system is in working state

This item allows you to turn the RGB LED lighting on or off when the system is in the working state.

Configuration options: [On] [Off]

##### When system is in sleep, hibernate or soft off states

This item allows you to turn the RGB LED lighting on or off when the system is in the sleep, hibernate or soft off states.

Configuration options: [On] [Off]

#### Intel LAN Controller

This item allows you to enable or disable the Intel LAN controller.

Configuration options: [Disabled] [Enabled]

### 3.6.8 APM Configuration

The items in this menu allow you to set system wake and sleep settings.

#### ErP Ready [Disabled]

This item allows you to switch off some power at S4+S5 or S5 to get the system ready for ErP requirement. When set to **[Enabled]**, all other PME options are switched off.

Configuration options: [Disabled] [Enable(S4+S5)] [Enable(S5)]

### 3.6.9 Network Stack Configuration

The items in this menu allow you to configure Ipv4 / Ipv6 PXE support.

### 3.6.10 HDD/SSD SMART Information

This menu displays the SMART information of the connected devices.



---

NVM Express devices do not support SMART information.

---

### 3.6.11 USB Configuration

The items in this menu allow you to change the USB-related features.



---

The **Mass Storage Devices** item shows the auto-detected values. If no USB device is detected, the item shows **None**.

---

#### USB Single Port Control

This item allows you to enable or disable the individual USB ports.



---

Refer to section 1.1.2 **Motherboard layout** for the location of the USB ports.

---

### 3.6.12 Thunderbolt(TM) Configuration

The items in this menu allow you to configure Thunderbolt settings.

#### TBT Root port Selector

This item allows you to select the thunder root port.

Configuration options: [Thunderbolt Disabled] [PCIe16\_1] [PCIe16\_2] [PCIe16\_3] [PCIe4\_1]

### 3.6.13 PCH-FW Configuration

This item allows you to configure the firmware TPM.

## 3.7 Monitor menu

The Monitor menu displays the system temperature/power status, and allows you to change the fan settings.

### Q-fan Configuration

#### Q-fan Tuning

Click this item to automatically detect the lowest speed and configure the minimum duty cycle for each fan.

#### AIO PUMP / W\_PUMP+ Control

- |            |  |
|------------|--|
| [Disabled] | Disable the Water Pump control feature.  |
| [Auto]     | Detects the type of water pump installed and automatically switches the control modes. |
| [DC mode]  | Enable the Water Pump control in DC mode for 3-pin chassis fan.                        |
| [PWM mode] | Enable the Water Pump control in PWM mode for 4-pin chassis fan.                       |

## 3.8 Boot menu

The Boot menu items allow you to change the system boot options.

### Fast Boot

- |            |   |
|------------|---|
| [Disabled] | Allows your system to go back to its normal boot speed. |
| [Enabled]  | Allows your system to accelerate the boot speed.        |



---

The following items appear only when you set the Fast Boot to **[Enabled]**.

---

#### Next Boot after AC Power Loss

- |               |   |
|---------------|---|
| [Normal Boot] | Returns to normal boot on the next boot after an AC power loss.     |
| [Fast Boot]   | Accelerates the boot speed on the next boot after an AC power loss. |

## Boot Configuration

### Setup Mode

[Advanced Mode] This item allows you to go to Advanced Mode of the BIOS after POST.

[EZ Mode] This item allows you to go to EZ Mode of the BIOS after POST.

### CSM (Compatibility Support Module)

This item allows you to configure the CSM (Compatibility Support Module) items to fully support the various VGA, bootable devices and add-on devices for better compatibility.

#### Launch CSM

[Auto] The system automatically detects the bootable devices and the add-on devices.

[Enabled] For better compatibility, enable the CSM to fully support the non-UEFI driver add-on devices or the Windows® UEFI mode.

[Disabled] Disable the CSM to fully support the non-UEFI driver add-on devices or the Windows® UEFI mode.



---

The following items appear only when you set the Launch CSM to **[Enabled]**.

---

#### ***Boot Devices Control***

This item allows you to select the type of devices that you want to boot.

Configuration options: [UEFI and Legacy OPROM] [Legacy OPROM only] [UEFI only]

#### ***Boot from Network Devices***

This item allows you to select the type of network devices that you want to launch.

Configuration options: [Ignore] [Legacy only] [UEFI driver first]

#### ***Boot from Storage Devices***

This item allows you to select the type of storage devices that you want to launch.

Configuration options: [Ignore] [Legacy only] [UEFI driver first]

#### ***Boot from PCI-E/PCI Expansion Devices***

This item allows you to select the type of PCI-E/PCI expansion devices that you want to launch.

Configuration options: [Legacy only] [UEFI driver first]

### Secure Boot

This item allows you to configure the Windows® Secure Boot settings and manage its keys to protect the system from unauthorized access and malwares during POST.

## Boot Option Priorities

These items specify the boot device priority sequence from the available devices. The number of device items that appears on the screen depends on the number of devices installed in the system.



- To access Windows® OS in Safe Mode, press <F8> after POST (Windows® 8 not supported).
- To select the boot device during system startup, press <F8> when the ASUS Logo appears.

## Boot Override

These items displays the available devices. The number of device items that appears on the screen depends on the number of devices installed in the system. Click an item to start booting from the selected device.

## 3.9 Tool menu

The Tool menu items allow you to configure options for special functions. Select an item then press <Enter> to display the submenu.

### Setup Animator

This item allows you to enable or disable the Setup animator.

Configuration options: [Disabled] [Enabled]

### 3.9.1 ASUS EZ Flash 3 Utility

This item allows you to run ASUS EZ Flash 3. When you press <Enter>, a confirmation message appears. Use the left/right arrow key to select between [Yes] or [No], then press <Enter> to confirm your choice.



For more details, refer to section **3.11.2 ASUS EZ Flash 3**.



## 3.9.2 Secure Erase

SSD speeds may lower over time as with any storage medium due to data processing. Secure Erase completely and safely cleans your SSD, restoring it to factory performance levels.



Secure Erase is only available in AHCI mode. Ensure to set the SATA mode to AHCI. Click **Advanced > PCH Storage Configuration > SATA Mode Selection > AHCI**.

To launch Secure Erase, click **Tool > Secure Erase** on the Advanced mode menu.

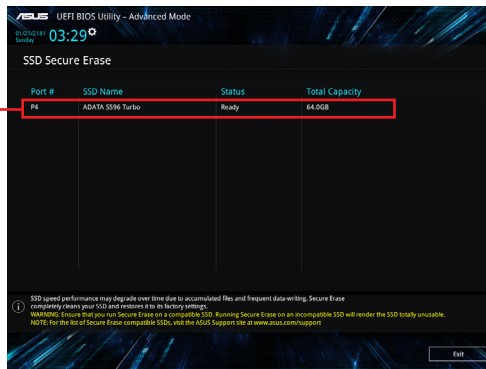


Check the ASUS support site for a full list of SSDs tested with Secure Erase. The drive may become unstable if you run Secure Erase on an incompatible SSD.



- The time to erase the contents of your SSD may take a while depending on its size. Do not turn off the system during the process.
- Secure Erase is only supported on Intel SATA port. For more information about Intel SATA ports, refer to section 1.1.2 **Motherboard layout** of this manual.

Displays the available SSDs



### Status definition:

- **Frozen.** The frozen state is the result of a BIOS protective measure. The BIOS guards drives that do not have password protection by freezing them prior to booting. If the drive is frozen, a power off or hard reset of your PC must be performed to proceed with the Secure Erase.
- **Locked.** SSDs might be locked if the Secure Erase process is either incomplete or was stopped. This may be due to a third party software that uses a different password defined by ASUS. You have to unlock the SSD in the software before proceeding with Secure Erase.

### 3.9.3 ASUS Overclocking Profile

This item allows you to store or load multiple BIOS settings.

#### Load from Profile

This item allows you to load the previous BIOS settings saved in the BIOS Flash. Key in the profile number that saved your BIOS settings, press <Enter>, and then select **Yes**.



- DO NOT shut down or reset the system while updating the BIOS to prevent the system boot failure!
- We recommend that you update the BIOS file only coming from the same memory/CPU configuration and BIOS version.

#### Profile Name

This item allows you to key in a profile name.

#### Save to Profile

This item allows you to save the current BIOS settings to the BIOS Flash, and create a profile. Key in a profile number from one to eight, press <Enter>, and then select **Yes**.

#### Load/Save Profile from/to USB Drive

This item allows you to load or save profile from your USB drive, load and save profile to your USB drive.

### 3.9.4 ASUS SPD Information

This item allows you to view the DRAM SPD information.

### 3.9.5 Graphics Card Information

This item displays the information about the graphics card installed in your system.

#### GPU Post

This item displays the information and recommended configuration for the PCIE slots that the graphics card is installed in your system.



This feature is only supported on selected ASUS graphics cards.

#### Bus Interface

This item allows you to select the bus interface.

Configuration options: [PCIEX16\_1] [PCIEX16\_2] [PCIEX16\_3]

## 3.10 Exit menu

The Exit menu items allow you to load the optimal default values for the BIOS items, and save or discard your changes to the BIOS items. You can access the EZ Mode from the Exit menu.

### Load Optimized Defaults

This option allows you to load the default values for each of the parameters on the Setup menus. When you select this option or if you press <F5>, a confirmation window appears. Select **OK** to load the default values.

### Save Changes & Reset

Once you are finished making your selections, choose this option from the Exit menu to ensure the values you selected are saved. When you select this option or if you press <F10>, a confirmation window appears. Select **OK** to save changes and exit.

### Discard Changes & Exit

This option allows you to exit the Setup program without saving your changes. When you select this option or if you press <Esc>, a confirmation window appears. Select **Yes** to discard changes and exit.

### Launch EFI Shell from filesystem device

This item allows you to attempt to launch the EFI Shell application (shellx64.efi) from one of the available filesystem devices.

## 3.11 Updating BIOS

The ASUS website publishes the latest BIOS versions to provide enhancements on system stability, compatibility, and performance. However, BIOS updating is potentially risky. If there is no problem using the current version of BIOS, DO NOT manually update the BIOS. Inappropriate BIOS updating may result to system's failure to boot. Carefully follow the instructions in this chapter to update your BIOS when necessary.



---

Visit <http://www.asus.com> to download the latest BIOS file for this motherboard.

---

The following utilities allow you to manage and update the motherboard BIOS setup program.

1. EZ Update: Updates the BIOS in Windows® environment.
2. ASUS EZ Flash 3: Updates the BIOS using a USB flash drive.
3. ASUS CrashFree BIOS 3: Restores the BIOS using the motherboard support DVD or a USB flash drive when the BIOS file fails or gets corrupted.

### 3.11.1 EZ Update

The EZ Update is a utility that allows you to update the motherboard BIOS in Windows® environment.



- 
- EZ Update requires an Internet connection either through a network or an ISP (Internet Service Provider).
  - This utility is available in the support DVD that comes with the motherboard package.
-

### 3.11.2 ASUS EZ Flash 3

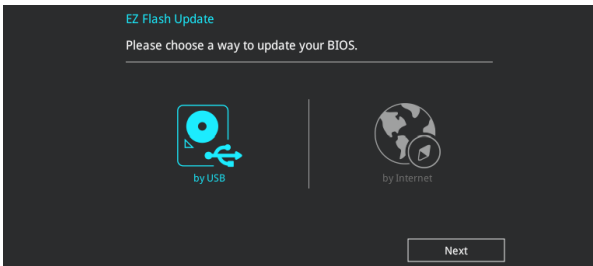
ASUS EZ Flash 3 allows you to download and update to the latest BIOS through the Internet without having to use a bootable floppy disk or an OS-based utility.



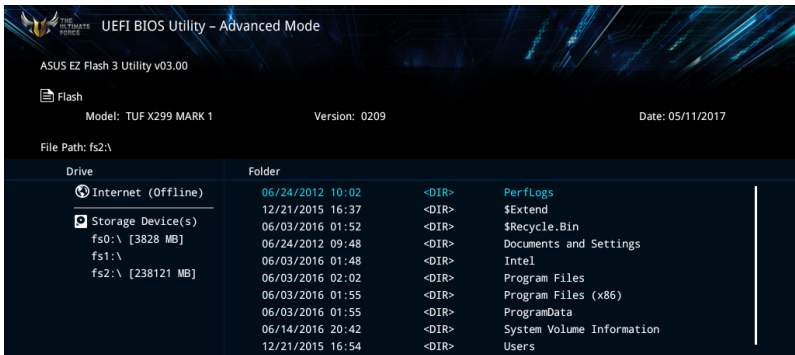
Updating through the Internet varies per region and Internet conditions. Check your local Internet connection before updating through the Internet.

#### To update the BIOS by USB:

1. Enter the Advanced Mode of the BIOS setup program. Go to the Tool menu to select **ASUS EZ Flash Utility** and press <Enter>.
2. Insert the USB flash disk that contains the latest BIOS file to the USB port.
3. Select **by USB**.



4. Press <Tab> to switch to the Drive field.
5. Press the Up/Down arrow keys to find the USB flash disk that contains the latest BIOS, and then press <Enter>.
6. Press <Tab> to switch to the Folder Info field.
7. Press the Up/Down arrow keys to find the BIOS file, and then press <Enter> to perform the BIOS update process. Reboot the system when the update process is done.





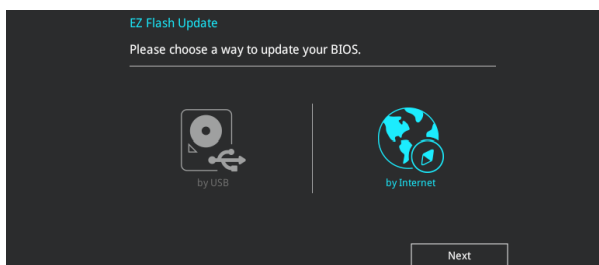
- This function can support devices such as a USB flash disk with FAT 32/16 format and single partition only.
- DO NOT shut down or reset the system while updating the BIOS to prevent system boot failure!



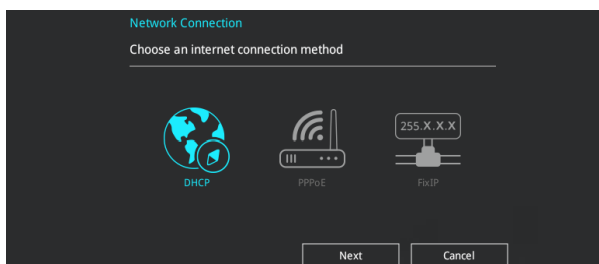
Ensure to load the BIOS default settings to ensure system compatibility and stability. Select the Load Optimized Defaults item under the Exit menu. See section 3.10 **Exit Menu** for details.

### To update the BIOS by Internet:

1. Enter the Advanced Mode of the BIOS setup program. Go to the Tool menu to select **ASUS EZ Flash Utility** and press <Enter>.
2. Select **by Internet**.



3. Press the Left/Right arrow keys to select an Internet connection method, and then press <Enter>.



4. Follow the onscreen instructions to complete the update.
5. Reboot the system when the update process is done.



Ensure to load the BIOS default settings to ensure system compatibility and stability. Select the Load Optimized Defaults item under the Exit menu. See section 3.10 **Exit Menu** for details.

### 3.11.3 ASUS CrashFree BIOS 3

The ASUS CrashFree BIOS 3 utility is an auto recovery tool that allows you to restore the BIOS file when it fails or gets corrupted during the updating process. You can restore a corrupted BIOS file using the motherboard support DVD or a USB flash drive that contains the BIOS file.



---

The BIOS file in the motherboard support DVD may be older than the BIOS file published on the ASUS official website. If you want to use the newer BIOS file, download the file at <https://www.asus.com/support/> and save it to a USB flash drive.

---

#### Recovering the BIOS

##### To recover the BIOS:

1. Turn on the system.
2. Insert the motherboard support DVD to the optical drive, or the USB flash drive containing the BIOS file to the USB port.
3. The utility automatically checks the devices for the BIOS file. When found, the utility reads the BIOS file and enters ASUS EZ Flash 3 automatically.
4. The system requires you to enter BIOS Setup to recover the BIOS setting. To ensure system compatibility and stability, we recommend that you press <F5> to load default BIOS values.



---

**DO NOT** shut down or reset the system while updating the BIOS! Doing so can cause system boot failure!

---





# RAID Support

# 4

## 4.1 RAID configurations

The motherboard supports Intel® Rapid Storage Technology with RAID 0, RAID 1, RAID 5, and RAID 10 solution.



---

If you want to install a Windows® operating system to a hard disk drive included in a RAID set, you have to create a RAID driver disk and load the RAID driver during OS installation. Refer to section **4.2 Creating a RAID driver disk** for details.

---

### 4.1.1 RAID definitions

**RAID 0 (Data striping)** optimizes two identical hard disk drives to read and write data in parallel, interleaved stacks. Two hard disks perform the same work as a single drive but at a sustained data transfer rate, double that of a single disk alone, thus improving data access and storage. Use of two new identical hard disk drives is required for this setup.

**RAID 1 (Data mirroring)** copies and maintains an identical image of data from one drive to a second drive. If one drive fails, the disk array management software directs all applications to the surviving drive as it contains a complete copy of the data in the other drive. This RAID configuration provides data protection and increases fault tolerance to the entire system. Use two new drives or use an existing drive and a new drive for this setup. The new drive must be of the same size or larger than the existing drive.

**RAID 5** strips both data and parity information across three or more hard disk drives. Among the advantages of RAID 5 configuration include better HDD performance, fault tolerance, and higher storage capacity. The RAID 5 configuration is best suited for transaction processing, relational database applications, enterprise resource planning, and other business systems. Use a minimum of three identical hard disk drives for this setup.

**RAID 10** is data striping and data mirroring combined without parity (redundancy data) having to be calculated and written. With the RAID 10 configuration you get all the benefits of both RAID 0 and RAID 1 configurations. Use four new hard disk drives or use an existing drive and three new drives for this setup.

## 4.1.2 Installing storage devices

The motherboard supports Serial ATA hard disk drives and PCIe SSD storage devices. For optimal performance, install identical drives of the same model and capacity when creating a disk array.



Refer to Chapter 2 for details on installing storage devices to your motherboard.

## 4.1.3 Intel® Rapid Storage Technology in UEFI BIOS

To enter the Intel® Rapid Storage Technology in UEFI BIOS:

1. Enter the BIOS Setup during POST.
2. Go to the **Advanced** menu > **PCH Storage Configuration**, then press <Enter>.
3. Set the SATA Mode Selection item to **[Intel RST Premium With Intel Optane System Acceleration (RAID)]**.



If you are using PCIe storage devices, ensure to enable all the **PCIe Storage RAID Support** items.

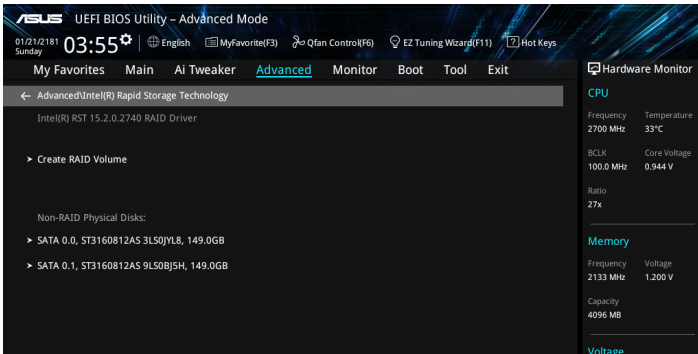
4. Go to the **Boot** menu > **CSM (Compatibility Support Module)** > **Launch CSM**, then set the item to **[Disabled]**.
5. Save your changes and exit the BIOS Setup, then enter the BIOS Setup again.
6. Go to the **Advanced** menu > **Intel(R) Rapid Storage Technology**, then press <Enter> to display the Intel® Rapid Storage Technology menu.



Refer to Chapter 3 for details on entering and navigating through the BIOS Setup.



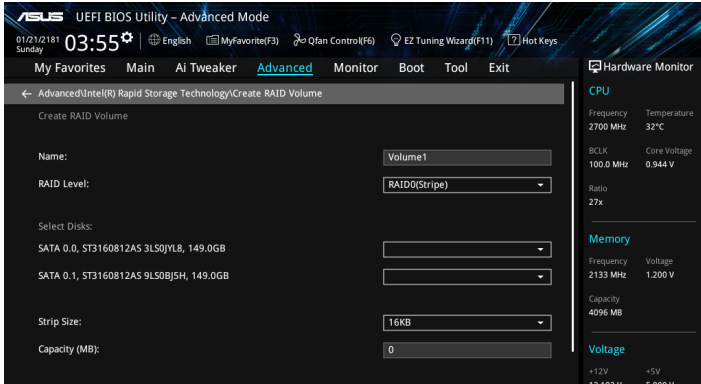
Due to chipset limitation, when SATA ports are set to RAID mode, all SATA ports run at RAID mode together.



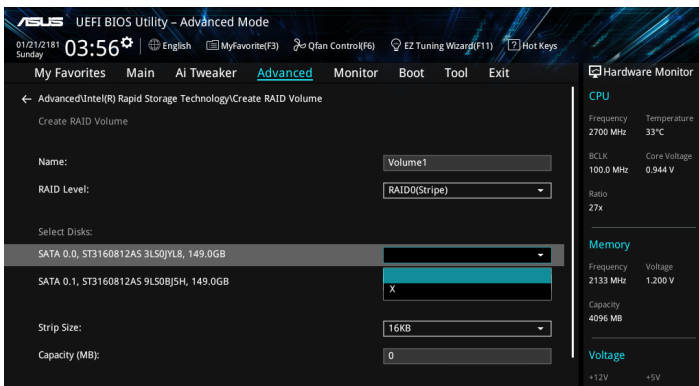
## Creating a RAID set

To create a RAID set:

1. From the Intel® Rapid Storage Technology menu, select **Create RAID Volume** and press <Enter>. The following screen appears:



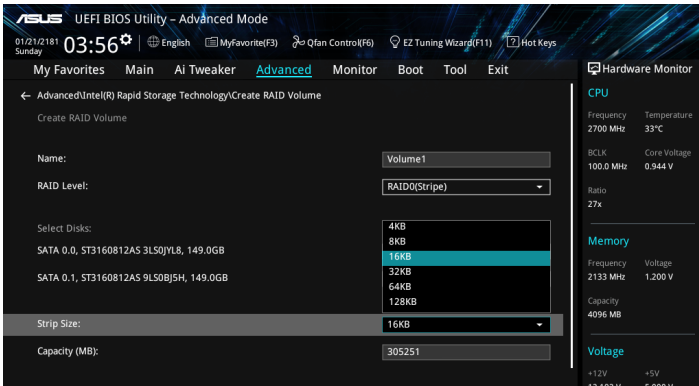
2. When the **Name** item is selected, enter a name for the RAID set and press <Enter>.
3. When the **RAID Level** item is selected, press <Enter> to select the RAID level to create, and then press <Enter>.
4. Under **Select Disks**, press <Enter> and select **X** for the disks you want to include in the RAID set.



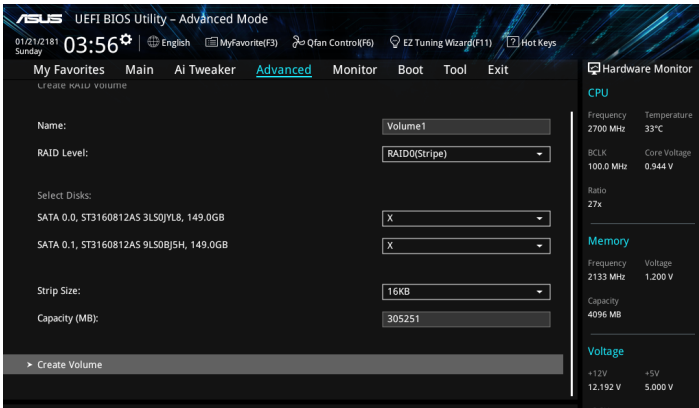
5. When the **Strip Size** item is selected, press <Enter> to select strip size for the RAID array (for RAID 0, 10 and 5 only), and then press <Enter>. The available strip size values range from 4 KB to 128 KB. The following are typical values:
  - RAID 0: 128 KB
  - RAID 10: 64 KB
  - RAID 5: 64 KB



We recommend a lower strip size for server systems, and a higher strip size for multimedia computer systems used mainly for audio and video editing.



6. When the **Capacity (MB)** item is selected, enter the RAID volume capacity that you want and press <Enter>. The default value indicates the maximum allowed capacity.
7. When the **Create Volume** item is selected, press <Enter> to create the RAID volume and return to the Intel® Rapid Storage Technology menu.



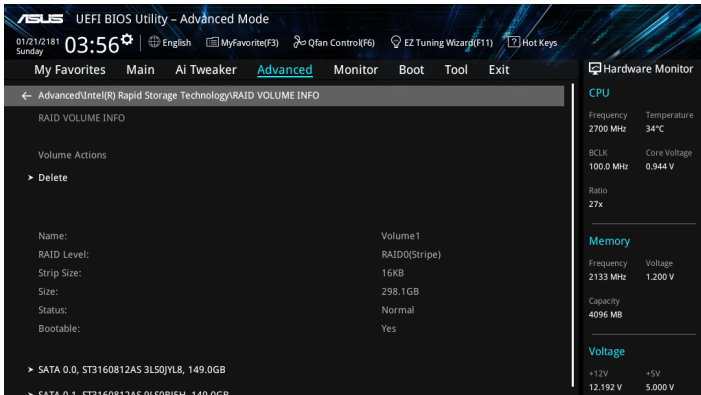
## Deleting a RAID set



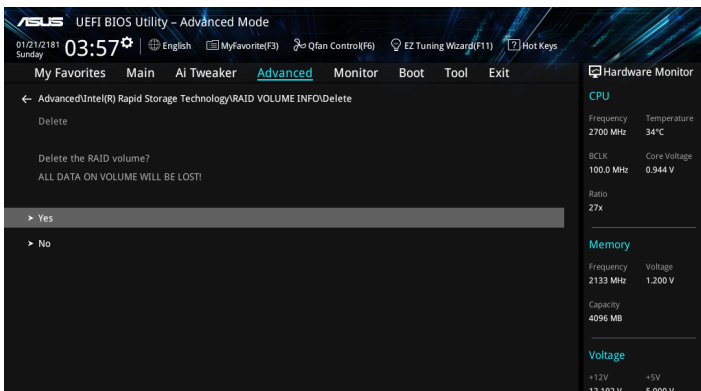
Be cautious when deleting a RAID set. You will lose all data on the hard disk drives when you delete a RAID set.

To delete a RAID set:

1. From the Intel® Rapid Storage Technology menu, select the RAID volume you want to delete and press <Enter>. The following screen appears:



2. When the **Delete** item is selected, press <Enter>, then select **Yes** to delete the RAID volume and return to the Intel® Rapid Storage Technology menu, or select **No** to cancel.



## 4.1.4 Intel® Virtual Raid on CPU in UEFI BIOS

This feature requires a KEY module to enable CPU RAID functions with Intel® CPU RSTe.



- The KEY module is purchased separately.
- The HYPER M.2 X16 Card is purchased separately.
- Due to CPU behavior, CPU RAID functions with Intel® CPU RSTe only supports Intel® Core™ X-series Processors (6-core or above) and Intel® SSD modules.
- Refer to section 1.1.9 **Internal connectors** for the location of the VROC\_HW\_KEY connector.



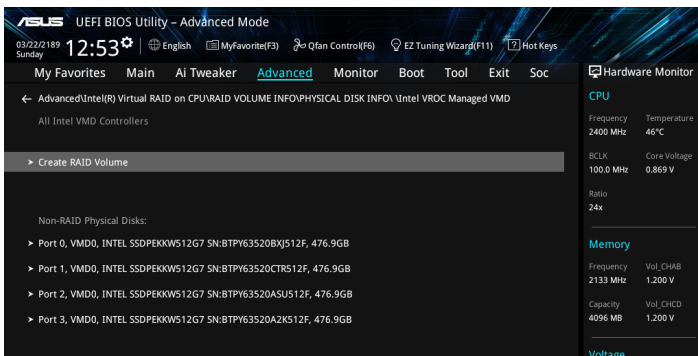
Due to hardware design, your motherboard does not support CPU RAID configurations as OS drives.

To enter the Intel® Virtual Raid on CPU in UEFI BIOS:

1. Enter the BIOS Setup during POST.
2. Go to the **Boot** menu > **CSM (Compatibility Support Module)** > **Launch CSM**, then set the item to **[Disabled]**.
3. Go to the **Advanced** menu > **CPU Storage Configuration**, then set the PCIE slot(s) that you have installed the Hyper M.2 X16 Card(s) or PCIE X4 SSD Card(s) to **Hyper M.2 X16** or **PCIE X4 SSD Card** correspondingly.
4. Save your changes and exit the BIOS Setup, then enter the BIOS Setup again.
5. Go to the **Advanced** menu > **Intel(R) Virtual Raid on CPU** > **All Intel VMD Controllers**, then press <Enter> to display the Intel® Virtual Raid on CPU menu.



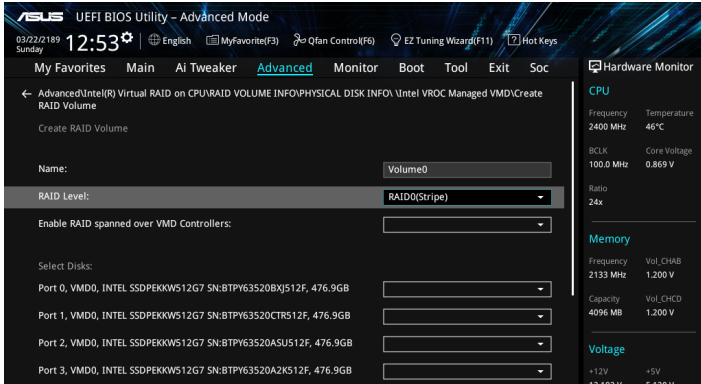
Refer to Chapter 3 for details on entering and navigating through the BIOS Setup.



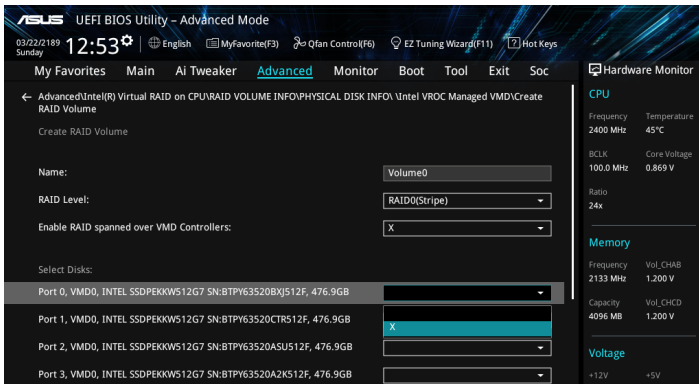
## Creating a RAID set

To create a RAID set:

1. From the Intel® Virtual Raid on CPU menu, select **Create RAID Volume** and press <Enter>. The following screen appears:



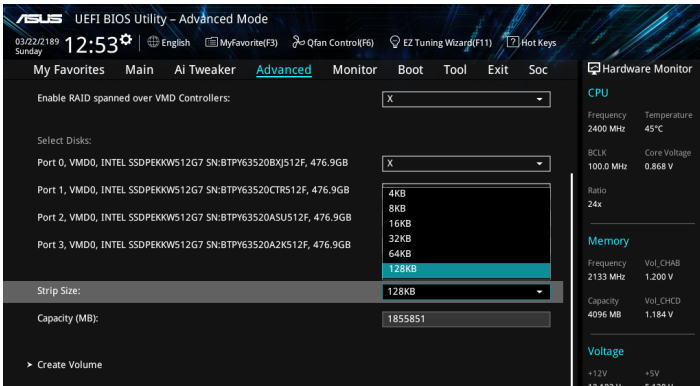
2. When the **Name** item is selected, enter a name for the RAID set and press <Enter>.
3. When the **RAID Level** item is selected, press <Enter> to select the RAID level to create, and then press <Enter>.
4. When the **Enable RAID spanned over VMD Controllers** item is selected, press <Enter> and select **X** to enable this function.
5. Under **Select Disks**, press <Enter> and select **X** for the disks you want to include in the RAID set.



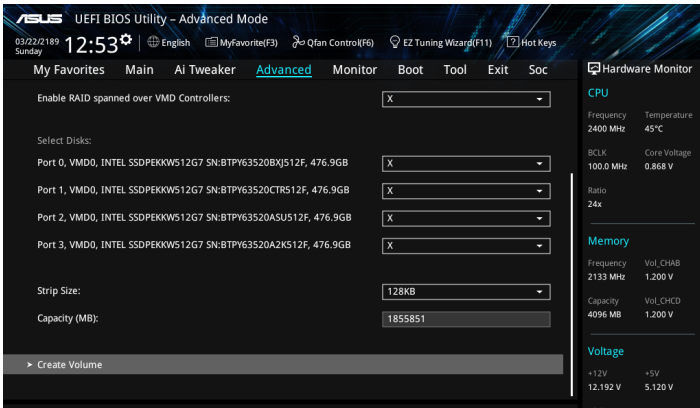
6. When the **Strip Size** item is selected, press <Enter> to select strip size for the RAID array (for RAID 0, 10 and 5 only), and then press <Enter>. The available strip size values range from 4 KB to 128 KB. The following are typical values:
  - RAID 0: 128 KB
  - RAID 10: 64 KB
  - RAID 5: 64 KB



We recommend a lower strip size for server systems, and a higher strip size for multimedia computer systems used mainly for audio and video editing.



7. When the **Capacity (MB)** item is selected, enter the RAID volume capacity that you want and press <Enter>. The default value indicates the maximum allowed capacity.
8. When the **Create Volume** item is selected, press <Enter> to create the RAID volume and return to the Intel® Rapid Storage Technology menu.





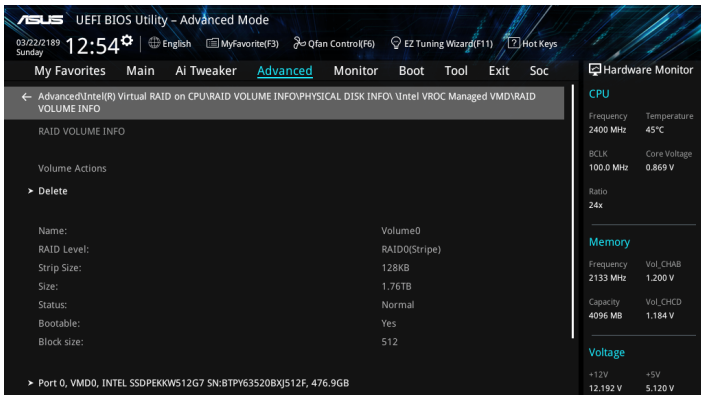
## Deleting a RAID set



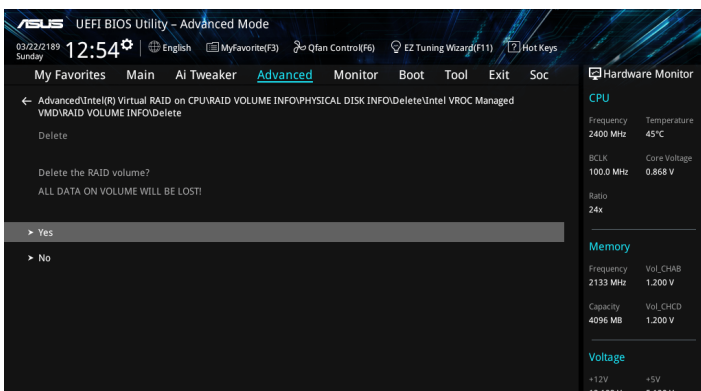
Be cautious when deleting a RAID set. You will lose all data on the hard disk drives when you delete a RAID set.

To delete a RAID set:

1. From the Intel® Virtual Raid on CPU menu, select the RAID volume you want to delete and press <Enter>. The following screen appears:



2. When the **Delete** item is selected, press <Enter>, then select **Yes** to delete the RAID volume and return to the Intel® Virtual Raid on CPU menu, or select **No** to cancel.



## Installing the RAID controller driver during Windows® 10 OS installation

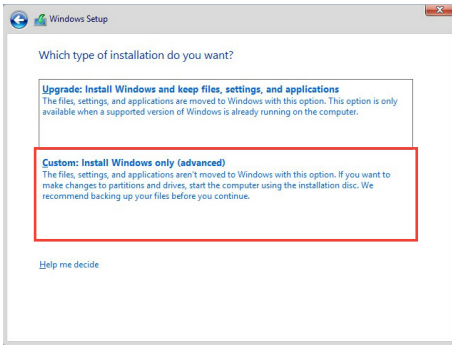
After creating the RAID sets, you are now ready to install an operating system to the independent drives or bootable array. This part provides the instructions on how to install the RAID controller drivers during OS installation.



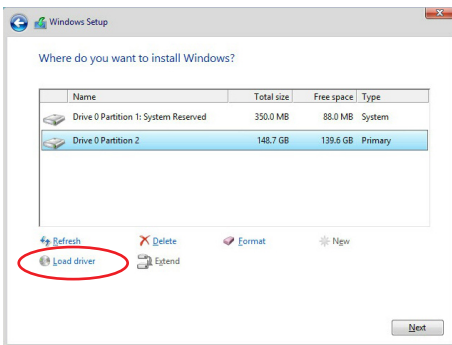
If you plan on using the CPU RAID configuration spanned across different PCIe slots as OS drives, please install the Hyper M.2 X16 Cards to PCIEX16\_2 (x4 mode) and PCIEX16\_4 (x8 mode) slots.

To install the RAID controller driver when installing Windows® 10 OS:

1. Boot the computer using the Windows® 10 OS installation disc. Follow the screen instructions to start installing Windows® 10.
2. When prompted to choose a type of installation, click **Custom: Install Windows only (advanced)**.



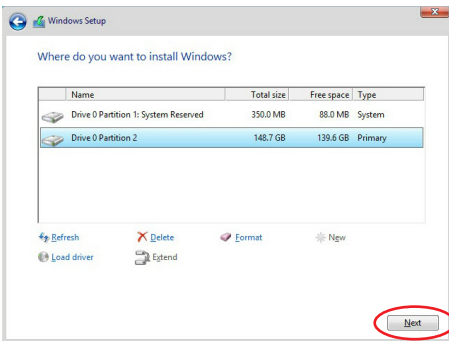
3. Click **Load Driver**.



4. A message appears, reminding you to insert the installation media containing the driver of the RAID controller driver. If you have only one optical drive installed in your system, eject the Windows OS installation disc and replace with the motherboard Support DVD into the optical drive. Click **Browse** to continue.



5. Locate the driver in the corresponding folder of the Support DVD then click **OK** to continue.
6. Select the RAID controller driver you need from the list and click **Next**.
7. When the system finishes loading the RAID driver, replace the motherboard Support DVD with the Windows Server installation disc. Select the drive to install Windows and click **Next**.



8. Setup then proceeds with the OS installation. Follow screen instructions to continue.

## 4.1.4 Intel® Rapid Storage Technology Option ROM utility

To enter the Intel® Rapid Storage Technology Option ROM utility:

1. Turn on the system.
2. During POST, press <Ctrl> + <I> to display the utility main menu.

```
Intel(R) Rapid Storage Technology - Option - v10.5.1.1070
Copyright(C) 2003-14 Intel Corporation. All Rights Reserved.

[ MAIN MENU ]

1. Create RAID Volume      4. Recovery Volume Options
2. Delete RAID Volume     5. Acceleration Options
3. Reset Disks to Non-RAID 6. Exit

[ DISK/VOLUME INFORMATION ]

RAID Volumes:
None defined.

Physical Devices:
Port  Device Model  Serial #      Size   Type/Status (Vol ID)
0      ST3160812AS      9LS0HJA4     149.0GB Non-RAID Disk
1      ST3160812AS      9LS0F4HL     149.0GB Non-RAID Disk
2      ST3160812AS      3LS0JYL8     149.0GB Non-RAID Disk
3      ST3160812AS      9LS0BJ5H     149.0GB Non-RAID Disk

[↑,↓]-Select      [ESC]-Exit      [ENTER]-Select Menu
```

The navigation keys at the bottom of the screen allow you to move through the menus and select the menu options.



The RAID BIOS setup screens shown in this section are for reference only and may not exactly match the items on your screen.

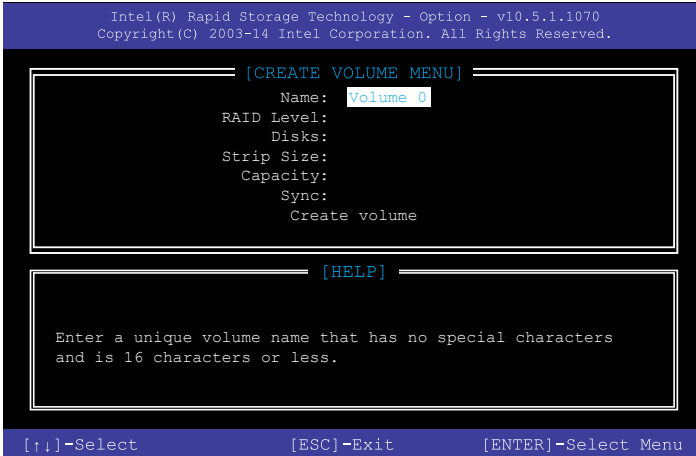


The utility supports maximum four hard disk drives for RAID configuration.

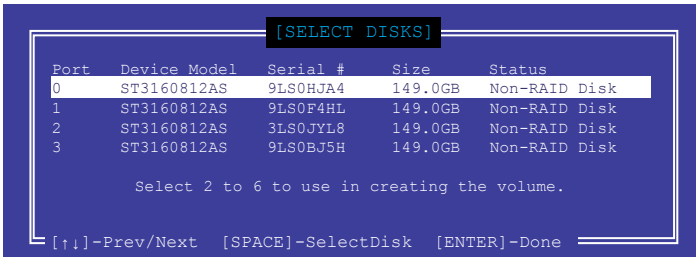
## Creating a RAID set

To create a RAID set:

1. From the utility main menu, select **1. Create RAID Volume** and press <Enter>. The following screen appears:



2. Enter a name for the RAID set and press <Enter>.
3. When the RAID Level item is selected, press the up/down arrow key to select a RAID level to create, and then press <Enter>.
4. When the Disks item is selected, press <Enter> to select the hard disk drives you want to include in the RAID set. The SELECT DISKS screen appears:



5. Use the up/down arrow key to select a drive, and then press <Space> to select. A small triangle marks the selected drive. Press <Enter> after completing your selection.
6. Use the up/down arrow key to select the strip size for the RAID array (for RAID 0, 10 and 5 only), and then press <Enter>. The available strip size values range from 4 KB to 128 KB. The following are typical values:
  - RAID 0: 128 KB
  - RAID 10: 64 KB
  - RAID 5: 64 KB



---

We recommend a lower strip size for server systems, and a higher strip size for multimedia computer systems used mainly for audio and video editing.

---

7. When the **Capacity** item is selected, enter the RAID volume capacity that you want and press <Enter>. The default value indicates the maximum allowed capacity.
8. When the **Create Volume** item is selected, press <Enter>. The following warning message appears:

```
WARNING: ALL DATA ON SELECTED DISKS WILL BE LOST.  
Are you sure you want to create this volume? (Y/N)
```

9. Press <Y> to create the RAID volume and return to the main menu, or <N> to go back to the CREATE VOLUME menu.

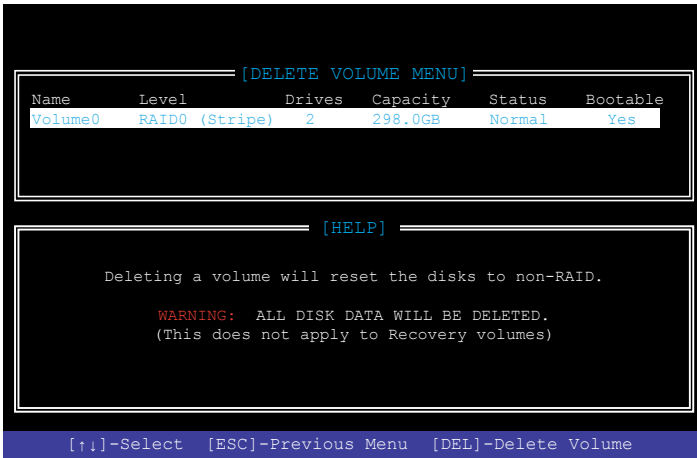
## Deleting a RAID set



Be cautious when deleting a RAID set. You will lose all data on the hard disk drives when you delete a RAID set.

To delete a RAID set:

1. From the utility main menu, select **2. Delete RAID Volume** and press <Enter>. The following screen appears:



2. Use the up/down arrow key to select the RAID set you want to delete, and then press <Delete>. The following warning message appears:

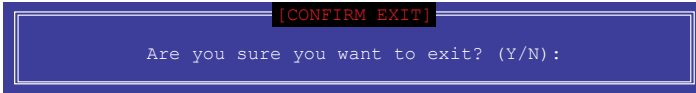


3. Press <Y> to delete the RAID set and return to the utility main menu, or press <N> to return to the DELETE VOLUME menu.

## Exiting the Intel® Rapid Storage Technology Option ROM utility

To exit the utility:

1. From the utility main menu, select **6. Exit**, then press <Enter>. The following warning message appears:



2. Press <Y> to exit or press <N> to return to the utility main menu.

## 4.2 Creating a RAID driver disk

### 4.2.1 Creating a RAID driver disk in Windows®

To install the RAID driver for Windows® OS:

1. During the OS installation, click **Load Driver** to allow you to select the installation media containing the RAID driver.
2. Insert the USB flash drive with RAID driver into the USB port or the support DVD into the optical drive, and then click **Browse**.
3. Click the name of the device you've inserted, go to **Drivers > RAID**, and then select the RAID driver for the corresponding OS version. Click **OK**.
4. Follow the succeeding screen instructions to complete the installation.



---

Before loading the RAID driver from a USB flash drive, you have to use another computer to copy the RAID driver from the support DVD to the USB flash drive.

---



---

To set up a Windows® UEFI operating system under RAID mode, ensure to load the UEFI driver for your optical drive.

---



# Appendix

## Notices

### Federal Communications Commission Statement

This device complies with Part 15 of the FCC Rules. Operation is subject to the following two conditions:

- This device may not cause harmful interference.
- This device must accept any interference received including interference that may cause undesired operation.

This equipment has been tested and found to comply with the limits for a Class B digital device, pursuant to Part 15 of the FCC Rules. These limits are designed to provide reasonable protection against harmful interference in a residential installation. This equipment generates, uses and can radiate radio frequency energy and, if not installed and used in accordance with manufacturer's instructions, may cause harmful interference to radio communications. However, there is no guarantee that interference will not occur in a particular installation. If this equipment does cause harmful interference to radio or television reception, which can be determined by turning the equipment off and on, the user is encouraged to try to correct the interference by one or more of the following measures:

- Reorient or relocate the receiving antenna.
- Increase the separation between the equipment and receiver.
- Connect the equipment to an outlet on a circuit different from that to which the receiver is connected.
- Consult the dealer or an experienced radio/TV technician for help.



---

The use of shielded cables for connection of the monitor to the graphics card is required to assure compliance with FCC regulations. Changes or modifications to this unit not expressly approved by the party responsible for compliance could void the user's authority to operate this equipment.

---

## IC: Canadian Compliance Statement

Complies with the Canadian ICES-003 Class B specifications. This device complies with RSS 210 of Industry Canada. This Class B device meets all the requirements of the Canadian interference-causing equipment regulations.

This device complies with Industry Canada license exempt RSS standard(s). Operation is subject to the following two conditions: (1) this device may not cause interference, and (2) this device must accept any interference, including interference that may cause undesired operation of the device.

Cet appareil numérique de la Classe B est conforme à la norme NMB-003 du Canada. Cet appareil numérique de la Classe B respecte toutes les exigences du Règlement sur le matériel brouilleur du Canada.

Cet appareil est conforme aux normes CNR exemptes de licence d'Industrie Canada. Le fonctionnement est soumis aux deux conditions suivantes :

- (1) cet appareil ne doit pas provoquer d'interférences et
- (2) cet appareil doit accepter toute interférence, y compris celles susceptibles de provoquer un fonctionnement non souhaité de l'appareil.

## Canadian Department of Communications Statement

This digital apparatus does not exceed the Class B limits for radio noise emissions from digital apparatus set out in the Radio Interference Regulations of the Canadian Department of Communications.

This class B digital apparatus complies with Canadian ICES-003.

## VCCI: Japan Compliance Statement

### Class B ITE

この装置は、クラスB情報技術装置です。この装置は、家庭環境で使用することを目的としていますが、この装置がラジオやテレビジョン受信機に近接して使用されると、受信障害を引き起こすことがあります。

取扱説明書に従って正しい取り扱いをして下さい。

VCCI-B

## KC: Korea Warning Statement

B급 기기 (가정용 방송통신기자재)

이 기기는 가정용(B급) 전자파적합기기로서 주로 가정에서 사용하는 것을 목적으로 하며, 모든 지역에서 사용할 수 있습니다.

## REACH

Complying with the REACH (Registration, Evaluation, Authorisation, and Restriction of Chemicals) regulatory framework, we published the chemical substances in our products at ASUS REACH website at <http://csr.asus.com/english/REACH.htm>.



DO NOT throw the motherboard in municipal waste. This product has been designed to enable proper reuse of parts and recycling. This symbol of the crossed out wheeled bin indicates that the product (electrical and electronic equipment) should not be placed in municipal waste. Check local regulations for disposal of electronic products.



DO NOT throw the mercury-containing button cell battery in municipal waste. This symbol of the crossed out wheeled bin indicates that the battery should not be placed in municipal waste.

## ASUS Recycling/Takeback Services

ASUS recycling and takeback programs come from our commitment to the highest standards for protecting our environment. We believe in providing solutions for you to be able to responsibly recycle our products, batteries, other components as well as the packaging materials. Please go to <http://csr.asus.com/english/Takeback.htm> for detailed recycling information in different regions.

## Regional notice for California



### WARNING

Cancer and Reproductive Harm -  
[www.P65Warnings.ca.gov](http://www.P65Warnings.ca.gov)

## Google™ License Terms

Copyright© 2017 Google Inc. All Rights Reserved.

Licensed under the Apache License, Version 2.0 (the “License”); you may not use this file except in compliance with the License. You may obtain a copy of the License at:

<http://www.apache.org/licenses/LICENSE-2.0>

Unless required by applicable law or agreed to in writing, software distributed under the License is distributed on an “AS IS” BASIS, WITHOUT WARRANTIES OR CONDITIONS OF ANY KIND, either express or implied.

See the License for the specific language governing permissions and limitations under the License.

**English** ASUSTeK Computer Inc. hereby declares that this device is in compliance with the essential requirements and other relevant provisions of related Directives. Full text of EU declaration of conformity is available at: [www.asus.com/support](http://www.asus.com/support)

**Français** AsusTek Computer Inc. déclare par la présente que cet appareil est conforme aux critères essentiels et autres clauses pertinentes des directives concernées. La déclaration de conformité de l'UE peut être téléchargée à partir du site Internet suivant: [www.asus.com/support](http://www.asus.com/support).

**Deutsch** ASUSTeK Computer Inc. erklärt hiermit, dass dieses Gerät mit den wesentlichen Anforderungen und anderen relevanten Bestimmungen der zugehörigen Richtlinien übereinstimmt. Der gesamte Text der EU-Konformitätserklärung ist verfügbar unter: [www.asus.com/support](http://www.asus.com/support)

**Italiano** ASUSTeK Computer Inc. con la presente dichiara che questo dispositivo è conforme ai requisiti essenziali e alle altre disposizioni pertinenti con le direttive correlate. Il testo completo della dichiarazione di conformità UE è disponibile all'indirizzo: [www.asus.com/support](http://www.asus.com/support)

**Русский** Компания ASUS заявляет, что это устройство соответствует основным требованиям и другим соответствующим условиям соответствующих директив. Подробную информацию, пожалуйста, смотрите на [www.asus.com/support](http://www.asus.com/support)

**Български** С настоящото ASUSTEK Computer Inc. декларира, че това устройство е в съответствие със съществените изисквания и другите приложими постановления на свързаните директиви. Пълният текст на декларацията за съответствие на ЕС е достъпен на адрес: [www.asus.com/support](http://www.asus.com/support)

**Hrvatski** ASUSTeK Computer Inc. ovim izjavljuje da je ovaj uređaj sukladan s bitnim zahtjevima i ostalim odgovarajućim odredbama vezanih direktiva. Cijeli tekst EU izjave o sukladnosti dostupan je na: [www.asus.com/support](http://www.asus.com/support)

**Čeština** Společnost ASUSTEK Computer Inc. tímto prohlašuje, že toto zařízení splňuje základní požadavky a další příslušná ustanovení souvisejících směrnic. Plné znění prohlášení o shodě EU je k dispozici na adrese: [www.asus.com/support](http://www.asus.com/support)

**Dansk** ASUSTeK Computer Inc. erklærer hermed, at denne enhed er i overensstemmelse med hovedkravene og andre relevante bestemmelser i de relaterede direktiver. Hele EU-overensstemmelseserklæringen kan findes på: [www.asus.com/support](http://www.asus.com/support)

**Nederlands** ASUSTEK Computer Inc. verklaart hierbij dat dit apparaat voldoet aan de essentiële vereisten en andere relevante bepalingen van de verwante richtlijnen. De volledige tekst van de EU-verklaring van conformiteit is beschikbaar op: [www.asus.com/support](http://www.asus.com/support)

**Eesti** Käesolevaga kinnitab ASUSTEK Computer Inc, et see seade vastab asjakohaste direktiivide olulistele nõuetele ja teistele asjassepuutuvatele sätetele. El vastavusdeklaratsiooni täielik tekst on saadaval järgmisel aadressil: [www.asus.com/support](http://www.asus.com/support)

**Suomi** ASUSTEK Computer Inc. ilmoittaa täten, että tämä laite on asiaankuuluvien direktiivien olennaisten vaatimusten ja muiden tätä koskevien säädösten mukainen. EU-yhdenmukaisuusilmoituksen koko teksti on luettavissa osoitteessa: [www.asus.com/support](http://www.asus.com/support)

**Ελληνικά** Με το παρόν, η AsusTek Computer Inc. δηλώνει ότι αυτή η συσκευή συμμορφώνεται με τις θεμελιώδεις απαιτήσεις και άλλες σχετικές διατάξεις των Οδηγιών της ΕΕ. Το πλήρες κείμενο της δήλωσης συμμόρφωσης είναι διαθέσιμο στη διεύθυνση: [www.asus.com/support](http://www.asus.com/support)

**Magyar** Az ASUSTEK Computer Inc. ezennel kijelenti, hogy ez az eszköz megfelel a kapcsolódó irányelvek lényeges követelményeinek és egyéb vonatkozó rendelkezéseinek. Az EU megfélelősegi nyilatkozat teljes szövege innen letölthető: [www.asus.com/support](http://www.asus.com/support)

**Latviski** ASUSTEK Computer Inc. ar šo paziņo, ka šī ierīce atbilst saistošo Direktīvu būtiskajām prasībām un citiem citiem saistošajiem nosacījumiem. Pilns ES atbilstības paziņojuma teksts pieejams šeit: [www.asus.com/support](http://www.asus.com/support)

**Lietuvai** „ASUSTEK Computer Inc.“ šiuo tvirtina, kad šis įrenginys atitinka pagrindinius reikalavimus ir kitas svarbias susijusių direktyvų nuostatas. Visą ES atitikties deklaracijos tekstą galima rasti: [www.asus.com/support](http://www.asus.com/support)

**Norsk** ASUSTEK Computer Inc. erklærer herved at denne enheten er i samsvar med hovedsaklige krav og andre relevante forskrifter i relaterte direktiver. Fullstendig tekst for EU-samsvarserklæringen finnes på: [www.asus.com/support](http://www.asus.com/support)

**Polski** Firma ASUSTEK Computer Inc. niniejszym oświadcza, że urządzenie to jest zgodne z zasadniczymi wymogami i innymi właściwymi postanowieniami powiązanych dyrektyw. Pełny tekst deklaracji zgodności UE jest dostępny pod adresem: [www.asus.com/support](http://www.asus.com/support)

**Português** A ASUSTEK Computer Inc. declara que este dispositivo está em conformidade com os requisitos essenciais e outras disposições relevantes das Diretivas relacionadas. Texto integral da declaração da UE disponível em: [www.asus.com/support](http://www.asus.com/support)

**Română** ASUSTEK Computer Inc. declară că acest dispozitiv se conformează cerințelor esențiale și altor prevederi relevante ale directivelor conexe. Textul complet al declarației de conformitate a Uniunii Europene se găsește la: [www.asus.com/support](http://www.asus.com/support)

**Srpski** ASUSTEK Computer Inc. ovim izjavljuje da je ovaj uređaj u saglasnosti sa osnovnim zahtevima i drugim relevantnijim odredbama povezanih Direktiva. Pun tekst EU deklaracije o usaglasjenosti je dostupan da adres: [www.asus.com/support](http://www.asus.com/support)

**Slovensky** Spoločnosť ASUSTEK Computer Inc. týmto vyhlasuje, že toto zariadenie vyhovuje základným požiadavkám a ostatým príslušným ustanoveniam príslušných smerníc. Celý text vyhlásenia o zhode pre štáty EÚ je dostupný na adrese: [www.asus.com/support](http://www.asus.com/support)

**Slovenščina** ASUSTEK Computer Inc. izjavlja, da je ta naprava skladna z bistvenimi zahtevami in drugimi ustreznimi določbami povezanih direktiv. Celotno besedilo EU-izjave o skladnosti je na voljo na spletnem mestu: [www.asus.com/support](http://www.asus.com/support)

**Español** Por la presente, ASUSTEK Computer Inc. declara que este dispositivo cumple los requisitos básicos y otras disposiciones pertinentes de las directivas relacionadas. El texto completo de la declaración de la UE de conformidad está disponible en: [www.asus.com/support](http://www.asus.com/support)

**Svenska** ASUSTEK Computer Inc. förklarar härmed att denna enhet överensstämmer med de grundläggande kraven och andra relevanta föreskrifter i relaterade direktiv. Fulltext av EU-försäkran om överensstämmelse finns på: [www.asus.com/support](http://www.asus.com/support)

**Українська** ASUSTEK Computer Inc. заявляє, що цей пристрій відповідає основним вимогам та іншим відповідним положенням відповідних Директив. Повний текст декларації відповідності стандартам ЄС доступний на: [www.asus.com/support](http://www.asus.com/support)

**Türkçe** ASUSTEK Computer Inc., bu aygıtın temel gereksinimlerle ve ilişkili Yönergelerin diğer ilgili kullarıyla uyumlu olduğunu beyan eder. AB uyuğunluk bildirimini tam metni şu adreste bulunabilir: [www.asus.com/support](http://www.asus.com/support)

**Bosanski** ASUSTEK Computer Inc. ovim izjavljuje da je ovaj uređaj uskladen sa bitnim zahtjevima i ostalim odgovarajućim odredbama vezanih direktiva. Cijeli tekst EU izjave o uskladenosti dostupan je na: [www.asus.com/support](http://www.asus.com/support)

## ASUS contact information

### ASUSTeK COMPUTER INC.

Address 4F, No. 150, Li-Te Road, Peitou, Taipei 112, Taiwan  
Telephone +886-2-2894-3447  
Fax +886-2-2890-7798  
Web site [www.asus.com](http://www.asus.com)

#### **Technical Support**

Telephone +86-21-38429911  
Fax +86-21-5866-8722, ext. 9101#  
Online support <http://qr.asus.com/techserv>

### ASUS COMPUTER INTERNATIONAL (America)

Address 800 Corporate Way, Fremont, CA 94539, USA  
Telephone +1-510-739-3777  
Fax +1-510-608-4555  
Web site <http://www.asus.com/us/>

#### **Technical Support**

Support fax +1-812-284-0883  
Telephone +1-812-282-2787  
Online support <http://qr.asus.com/techserv>

### ASUS COMPUTER GmbH (Germany and Austria)

Address Harkort Str. 21-23, 40880 Ratingen, Germany  
Fax +49-2102-959931  
Web site <http://www.asus.com/de>  
Online contact <http://eu-rma.asus.com/sales>

#### **Technical Support**

Telephone +49-2102-5789555  
Support Fax +49-2102-959911  
Online support <http://qr.asus.com/techserv>

**DECLARATION OF CONFORMITY**  
**Compliance Information Statement**

Per FCC Part 2 Section 2. 1077(a)



**Responsible Party Name: Asus Computer International**

**Address: 800 Corporate Way, Fremont, CA 94539.**

**Phone/Fax No: (510)739-3777/(510)608-4555**

hereby declares that the product

**Product Name : Motherboard**

**Model Number : TUF X299 Mark 2**

Conforms to the following specifications:

FCC Part 15, Subpart B, Unintentional Radiators

**Supplementary Information:**

This device complies with part 15 of the FCC Rules. Operation is subject to the following two conditions: (1) This device may not cause harmful interference, and (2) this device must accept any interference received, including interference that may cause undesired operation.