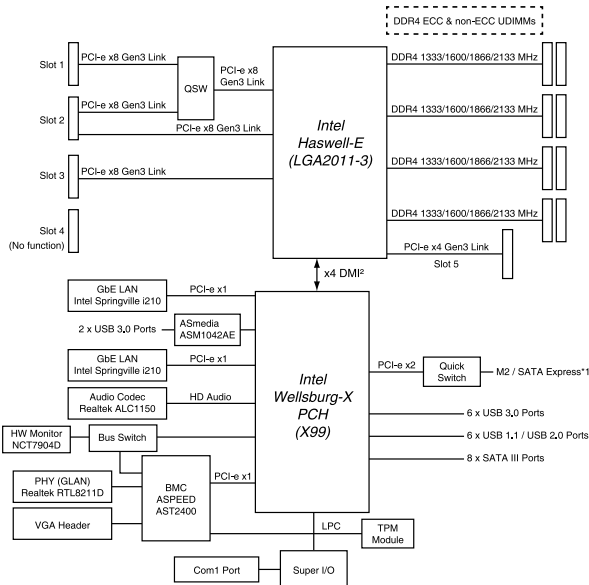


X99-WS/IPMI Technical Updates

This is an information update for the user guide that comes with your motherboard package.

X99-WS/IPMI block diagram

28 LANE CPU



40 LANE CPU

