

1 Accessory Content and Usage

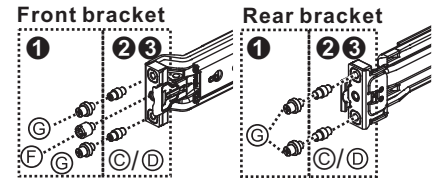
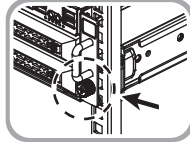
❖ **Make sure the spec of rack hole and find the suitable pins from accessory bag.**

- ❶ The default usage of the rail. When using in 9.5mm square rack hole, install 2 pcs screw G and 1pc screw F on the front bracket, 2 pcs screw G on the rear bracket.
- ❷ When using in $\varnothing 7.1$ round hole rack, please remove all the screws on the front and rear brackets. Replace them by screw C
- ❸ When using in #10-32thread hole rack, please remove all the screws on the front and rear brackets. Replace them by screw D

| Screw Sack | | |
|------------|---------------------------|-----------------|
| ITEM | NAME | SPEC |
| A | Inner rail | M4x4L-P0.7 |
| B | Inner rail | #6-32x4L |
| C | For 7.1 Round Hole | Round Hole pin |
| D | For #10-32 Thread Hole | #10-32x13L |
| E | For Shipping | M5x20-P0.8 |
| F | Extended Nut.For Shipping | M5x13.5L - P0.8 |

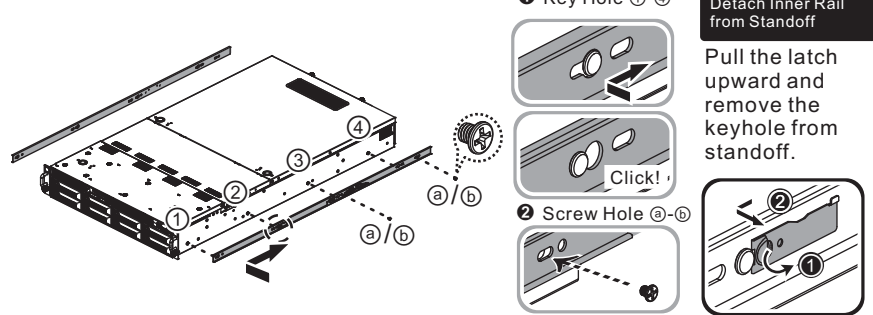
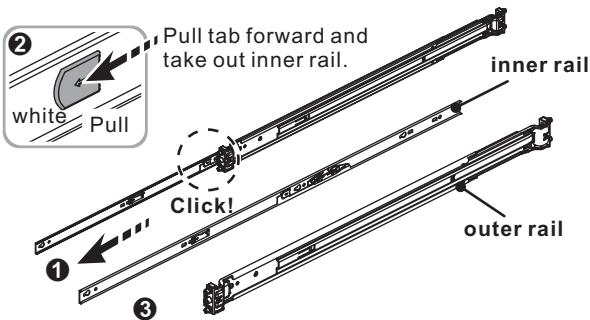
| Pre-installed | | |
|---------------|---------------------|-----------------|
| ITEM | NAME | SPEC |
| G | For 9.5 Square Hole | Square Hole Pin |

❖ **If chassis with thumb screw, please use screw F. If chassis without thumb screw, no need to use screw F.**



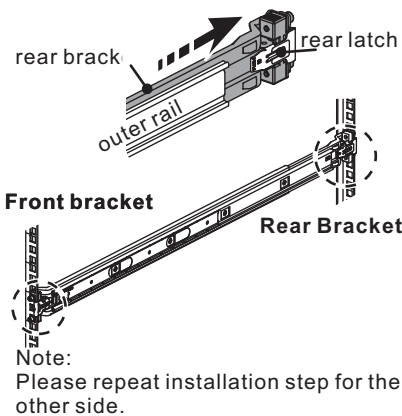
1) Remove the inner rail.

2) Install the inner rail onto the chassis.



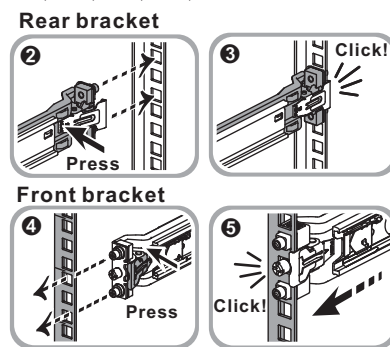
3) Fix the outer rail / bracket assembly to the frame.

❶ Please press the rear bracket before installation.



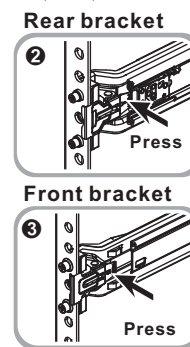
Square Hole

❶ → ❷ → ❸ → ❹ → ❺

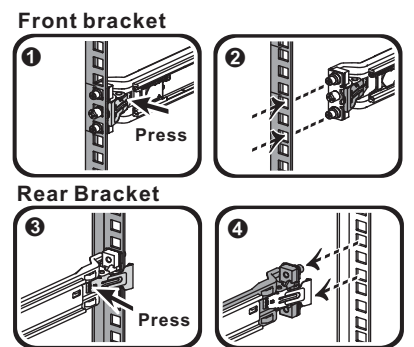


Round Hole

❶ → ❷ → ❸

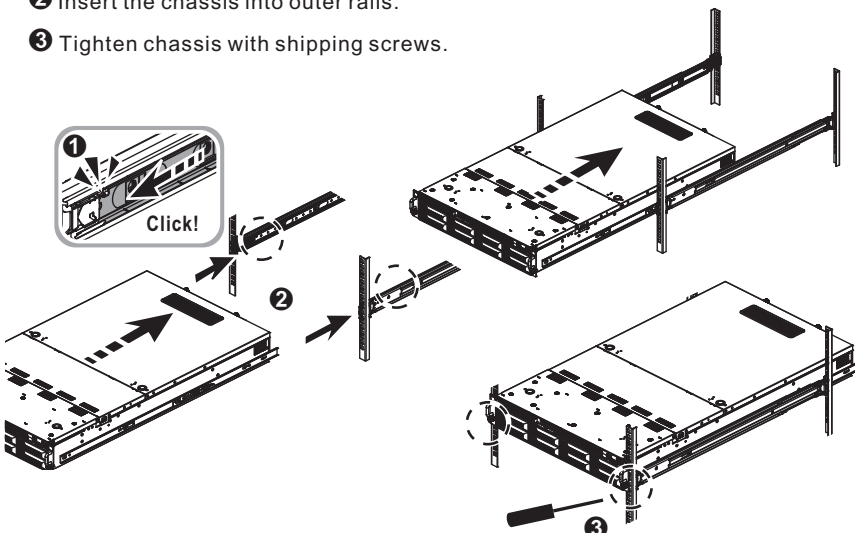


Detach Bracket from Rack Post



4) Insert the chassis to the rack to complete the installation.

- ❶ Ensure ball bearing retainer is located at the front of the outer rail.
- ❷ Insert the chassis into outer rails.
- ❸ Tighten chassis with shipping screws.



Remove the chassis from rack

- ❶ ❷ Loosen shipping screw to pull out chassis.
- ❸ ❹ Press the disconnect tab forward to remove chassis.

