



# ESC8000A-E12

## 4U Rackmount Server

### User Guide



E22384  
Revised Edition V4  
August 2023

**Copyright © 2023 ASUSTeK COMPUTER INC. All Rights Reserved.**

No part of this manual, including the products and software described in it, may be reproduced, transmitted, transcribed, stored in a retrieval system, or translated into any language in any form or by any means, except documentation kept by the purchaser for backup purposes, without the express written permission of ASUSTeK COMPUTER INC. ("ASUS").

ASUS provides this manual "as is" without warranty of any kind, either express or implied, including but not limited to the implied warranties or conditions of merchantability or fitness for a particular purpose. In no event shall ASUS, its directors, officers, employees, or agents be liable for any indirect, special, incidental, or consequential damages (including damages for loss of profits, loss of business, loss of use or data, interruption of business and the like), even if ASUS has been advised of the possibility of such damages arising from any defect or error in this manual or product.

Specifications and information contained in this manual are furnished for informational use only, and are subject to change at any time without notice, and should not be construed as a commitment by ASUS. ASUS assumes no responsibility or liability for any errors or inaccuracies that may appear in this manual, including the products and software described in it.

Product warranty or service will not be extended if: (1) the product is repaired, modified or altered, unless such repair, modification or alteration is authorized in writing by ASUS; or (2) the serial number of the product is defaced or missing.

Products and corporate names appearing in this manual may or may not be registered trademarks or copyrights of their respective companies, and are used only for identification or explanation and to the owners' benefit, without intent to infringe.

# Contents

Safety information.....	vi
About this guide.....	vii

## Chapter 1: Product Introduction

1.1	System package contents.....	1-2
1.2	Serial number label.....	1-3
1.3	System specifications .....	1-4
1.4	Front panel features.....	1-7
1.5	Rear panel features.....	1-7
1.6	Base unit SKU options .....	1-8
1.6.1	Support for 3 PCIe .....	1-8
1.6.2	Support for 2 PCIe + 2 NVMe .....	1-8
1.6.3	Support for 1 PCIe + 1 OCP3.0 + 2 NVMe .....	1-8
1.7	Internal features .....	1-9
1.8	LED information .....	1-10
1.8.1	Front panel LEDs .....	1-10
1.8.2	Rear panel LEDs.....	1-11
1.8.3	LAN (RJ-45) LEDs .....	1-12
1.8.4	Storage device status LEDs.....	1-13

## Chapter 2: Hardware Setup

2.1	Chassis cover.....	2-2
2.2	Air ducts.....	2-7
2.3	Central Processing Unit (CPU) .....	2-9
2.3.1	Installing the CPU and heatsink .....	2-9
2.4	System memory .....	2-13
2.4.1	Overview .....	2-13
2.4.2	Memory configurations.....	2-14
2.4.3	Installing a DIMM .....	2-15
2.4.4	Removing a DIMM .....	2-16
2.5	Storage devices.....	2-16
2.5.1	Installing a 3.5-inch storage device.....	2-17
2.5.2	Installing a 2.5-inch storage device .....	2-19

# Contents

- 2.6 Expansion slots..... 2-20**
  - 2.6.1 Installing an expansion card to the front PCIe expansion card bracket (on select models)..... 2-20
  - 2.6.2 Installing an ASUS PIKE II or RAID card ..... 2-22
  - 2.6.3 Installing the Cache Vault Power Module ..... 2-24
  - 2.6.4 Installing an expansion card to the rear PCIe expansion card slots (on select models) ..... 2-26
  - 2.6.5 Installing an OCP 3.0 card to the rear OCP 3.0 socket board (on select models) ..... 2-27
  - 2.6.6 (optional) Installing the PFR module ..... 2-27
- 2.7 Cable connections ..... 2-29**
  - 2.7.1 NVMe/SATA/SAS backplane ..... 2-29
  - 2.7.2 GPU SKU board..... 2-30
- 2.8 Removable/optional components..... 2-30**
  - 2.8.1 GPU fans..... 2-31
  - 2.8.2 System fans ..... 2-32
  - 2.8.3 Redundant power supply units..... 2-33
  - 2.8.4 GPU cards..... 2-34
  - 2.8.5 GPU bridges..... 2-37
- 2.9 Rail kit options ..... 2-38**

## Chapter 3: Motherboard Information

- 3.1 Motherboard layout..... 3-2**
- 3.2 Central Processing Unit (CPU) ..... 3-4**
- 3.3 Dual Inline Memory Module (DIMM)..... 3-4**
- 3.4 Jumpers ..... 3-5**
- 3.5 Internal connectors ..... 3-6**
- 3.6 Onboard LEDs..... 3-9**

## Chapter 4: BIOS Setup

- 4.1 Managing and updating your BIOS ..... 4-2**
  - 4.1.1 ASUS CrashFree BIOS 3 Utility ..... 4-2
  - 4.1.2 ASUS EZ Flash Utility ..... 4-3
- 4.2 BIOS setup program ..... 4-4**
  - 4.2.1 BIOS menu screen..... 4-5
  - 4.2.2 Menu bar..... 4-5
- 4.3 Main menu ..... 4-7**
- 4.4 Performance Tuning menu..... 4-8**



# Contents

<b>4.5</b>	<b>Advanced menu</b> .....	<b>4-10</b>
4.5.1	Trusted Computing.....	4-10
4.5.2	Redfish Host Interface Settings.....	4-11
4.5.3	AMD CBS.....	4-11
4.5.4	Onboard LAN Configuration .....	4-19
4.5.5	Serial Port Console Redirection.....	4-19
4.5.6	CPU Configuration .....	4-22
4.5.7	PCI Subsystem Settings .....	4-22
4.5.8	USB Configuration .....	4-24
4.5.9	Network Stack Configuration.....	4-25
4.5.10	NVMe Configuration.....	4-25
4.5.11	APM Configuration.....	4-26
4.5.12	AMD Mem Configuration Status.....	4-26
4.5.13	T1s Auth.....	4-27
4.5.14	Driver Health .....	4-27
<b>4.6</b>	<b>Chipset menu</b> .....	<b>4-28</b>
<b>4.7</b>	<b>Security menu</b> .....	<b>4-29</b>
<b>4.8</b>	<b>Boot menu</b> .....	<b>4-31</b>
<b>4.9</b>	<b>Tool menu</b> .....	<b>4-32</b>
<b>4.10</b>	<b>Event Logs menu</b> .....	<b>4-33</b>
4.10.1	Change Smbios Event Log Settings .....	4-33
4.10.2	View Smbios Event Log .....	4-33
<b>4.11</b>	<b>Server Mgmt menu</b> .....	<b>4-34</b>
4.11.1	System Event Log.....	4-35
4.11.2	BMC network configuration.....	4-35
4.11.3	View System Event Log.....	4-35
<b>4.12</b>	<b>Exit menu</b> .....	<b>4-36</b>

## Chapter 5: Driver Installation

<b>5.1</b>	<b>Running the Support DVD</b> .....	<b>5-2</b>
------------	--------------------------------------	------------

## Appendix

Block diagram .....	A-2
Q-Code table.....	A-3
Notices .....	A-8
Service and Support .....	A-11

# Safety information

## Electrical Safety

- Before installing or removing signal cables, ensure that the power cables for the system unit and all attached devices are unplugged.
- To prevent electrical shock hazard, disconnect the power cable from the electrical outlet before relocating the system.
- When adding or removing any additional devices to or from the system, ensure that the power cables for the devices are unplugged before the signal cables are connected. If possible, disconnect all power cables from the existing system before you add a device.
- If the power supply is broken, do not try to fix it by yourself. Contact a qualified service technician or your dealer.

## Operation Safety

- Any mechanical operation on this server must be conducted by certified or experienced engineers.
- Before operating the server, carefully read all the manuals included with the server package.
- Before using the server, ensure all cables are correctly connected and the power cables are not damaged. If any damage is detected, contact your dealer as soon as possible.
- To avoid short circuits, keep paper clips, screws, and staples away from connectors, slots, sockets and circuitry.
- Avoid dust, humidity, and temperature extremes. Place the server on a stable surface.



---

This product is equipped with a three-wire power cable and plug for the user's safety. Use the power cable with a properly grounded electrical outlet to avoid electrical shock.

---

## Restricted Access Location

This product is intended for installation only in a Computer Room where:

- Access can only be gained by **SERVICE PERSONS** or by **USERS** who have been instructed about the reasons for the restrictions applied to the location and about any precautions that shall be taken.
- Access is through the use of a **TOOL**, or other means of security, and is controlled by the authority responsible for the location.

### Heavy System

**CAUTION!** This server system is heavy. Ask for assistance when moving or carrying the system.

# About this guide

## Audience

This user guide is intended for system integrators and experienced users with at least basic knowledge of configuring a server.

## Contents

This guide contains the following parts:

**1. Chapter 1: Product Introduction**

This chapter describes the general features of the server, including sections on front panel and rear panel specifications.

**2. Chapter 2: Hardware Setup**

This chapter lists the hardware setup procedures that you have to perform when installing or removing system components.

**3. Chapter 3: Motherboard Information**

This chapter gives information about the motherboard that comes with the server. This chapter includes the motherboard layout, jumper settings, and connector locations.

**4. Chapter 4: BIOS Setup**

This chapter tells how to change system settings through the BIOS Setup menus and describes the BIOS parameters.

**5. Chapter 5: Driver Installation**

This chapter provides instructions for installing the necessary drivers for different system components.

## Conventions

To ensure that you perform certain tasks properly, take note of the following symbols used throughout this manual.



**DANGER/WARNING:** Information to prevent injury to yourself when trying to complete a task.



**CAUTION:** Information to prevent damage to the components when trying to complete a task.



**IMPORTANT:** Instructions that you **MUST** follow to complete a task.



**NOTE:** Tips and additional information to help you complete a task.

## Typography

### **Bold text**

Indicates a menu or an item to select.

### *Italics*

Used to emphasize a word or a phrase.

### <Key>

Keys enclosed in the less-than and greater-than sign means that you must press the enclosed key.

Example: <Enter> means that you must press the Enter or Return key.

### <Key1>+<Key2>+<Key3>

If you must press two or more keys simultaneously, the key names are linked with a plus sign (+).

Example: <Ctrl>+<Alt>+<Del>

### Command

Means that you must type the command exactly as shown, then supply the required item or value enclosed in brackets.

Example: At the DOS prompt, type the command line: **format A: /S**

## References

Refer to the following sources for additional information, and for product and software updates.

### 1. **ASUS Control Center (ACC) user guide**

This manual tells how to set up and use the proprietary ASUS server management utility.

### 2. **ASUS websites**

The ASUS websites provide updated information for all ASUS hardware and software products. Visit <https://www.asus.com> for more information.

# Product Introduction

# 1

This chapter describes the general features of the server. It includes sections on front panel and rear panel specifications.

# 1.1 System package contents

Check your system package for the following items.

ESC8000A-E12	
Chassis	ASUS 4U Rackmount Chassis
Motherboard	ASUS K14PG-D24 Server Board
Accessory box	1 x ASMB11 Instruction Card 1 x ASUS Control Center Instruction Card 4 x AC Power Cables 16 x GPU Power Cables (6+2-pin) 8 x GPU Power Cables (8-pin) 8 x GPU Air Ducts (for Nvidia/AMD) 2 x CPU Heatsinks
Optional Items	1 x Rail Kit 1 x Broadcom HBA Card Cable Kit 1 x ASUS PIKE Cable Kit 8 x 12VHPWR Power Cables

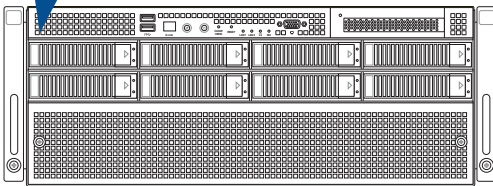


- If any of the above items is damaged or missing, contact your retailer.
- Optional items come bundled if you selected them when purchasing the system and cannot be bought separately.

## 1.2 Serial number label

Before requesting support from the ASUS Technical Support team, you must take note of the product's serial number containing 12 characters, such as xxSxxxxxxxxx. See the figure below.

With the correct serial number of the product, ASUS Technical Support team members can then offer a quicker and satisfying solution to your problems.



---

The serial number is printed on the Asset tag.

---

### 1.3 System specifications

The ASUS ESC8000A-E12 server features the ASUS K14PG-D24 server board. The server supports AMD EPYC™ 9004 Series processors plus other latest technologies through the chipsets onboard.

Model Name		ESC8000A-E12
Motherboard		K14PG-D24
Processor Support		2 x Socket SP5 (LGA 6096) AMD EPYC™ 9004 Series
Core Logic		System on Chip (SoC)
Memory	Total Slots	24 (12-channel per CPU, 12 DIMM per CPU)
	Capacity	Maximum up to 3TB per CPU socket
	Memory Type	DDR5 4800/4400 RDIMM / RDIMM 3DS * Refer to ASUS server AVL for the latest update
	Memory Size	64GB, 32GB, 16GB (RDIMM) 256GB, 128GB (RDIMM 3DS) * Refer to ASUS server AVL for the latest update
Expansion Slots	Total PCI/PCIe Slots	Up to 11 slots
	PCIe Slot Type	<b>Rear:</b> - 8 x PCIe (Gen5 x16 link, FH/FL) for single/dual-slot GPU cards - 1 x PCIe (Gen5 x16 link, FH/FL) for NIC cards - 1 x PCIe (Gen5 x8 link, FH/FL) for NIC cards or x16 OCP3.0 socket <b>Front:</b> - 1 x PCIe (Gen5 x8 link LP/HL) for HBA/RAID cards
	M.2	1 x M.2 socket 3 (Gen3 x4 link, up to 22110)
	MicroSD Card Slot	1 x for BMC log
Storage	SATA Controller	4 x 6Gbps SATA ports * For Windows® based operating systems: Enable IOMMU under NBIO Common Options in the AMD CBS section of the Advanced BIOS settings (enabled by default) * For Linux based operating systems: Disable IOMMU under NBIO Common Options in the AMD CBS section of the Advanced BIOS settings
	SAS Controller	<b>Optional kit(s):</b> - Broadcom MegaRAID card - ASUS PIKE II HBA card
	NVMe Controller	CPU integrated to support 8 NVMe devices

(continued on the next page)



Model Name		ESC8000A-E12	
Storage Bays	Storage Bays	8 x 3.5"/2.5" Front Hot-swap* Storage Bays - Backplane supports up to 8 x NVMe**/SATA/SAS*** * Only NVMe storage devices are hot-swappable ** NVMe support on selected SKUs *** SAS support requires an optional HBA/RAID card	
	Backplane Connectors	8 x MCIO connectors for NVMe 2 x Mini SAS HD for 8 x SATA/SAS	
	Motherboard Connectors	4 x MCIO connectors (x8 link) for PCIe slots or NVMe	
	Default Cables	2 x Backplane MCIO cables	
Networking		1 x Dual Port Intel® I350 1GbE/X710-AT2 10GbE LAN controller 1 x Management Port	
VGA		Aspeed AST2600 64MB	
Graphic		Up to 8 double-deck GPU cards	
Front I/O		2 x USB 3.2 Gen1 ports 1 x VGA port	
Rear I/O		1 x COM port 2 x RJ-45 LAN ports 1 x RJ-45 Management LAN port	
Switch/LED		<b>Front:</b> 1 x Power switch/LED 1 x Location switch/LED 1 x Q-Code/Port 80 LED 1 x Clear CMOS switch 1 x Reset switch 2 x LAN LED 1 x Message LED 1 x M.2 LED	<b>Rear:</b> 1 x Power switch/LED 1 x Location switch/LED
OS Support		Windows® Server, RedHat®, SuSE®, CentOS, Ubuntu, Vmware * Refer to <a href="https://www.asus.com/event/Server/OS_support_list/OS.html">https://www.asus.com/event/Server/OS_support_list/OS.html</a> for the latest supported OS list	
Management Solution	Out of Band Remote Hardware	Onboard ASMB11-iKVM	
	Software	ASUS Control Center	

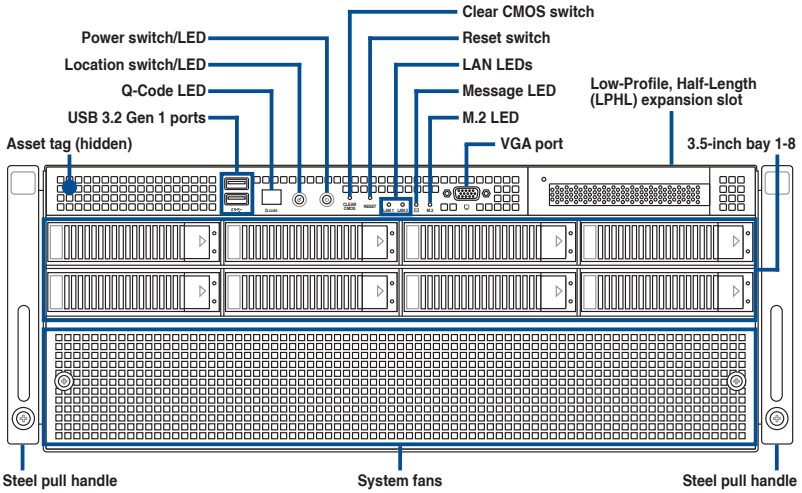
(continued on the next page)

<b>Model Name</b>	<b>ESC8000A-E12</b>
<b>Regulatory Compliance</b>	BSMI, CB, CE, FCC, RCM, KCC (Class A)
<b>Dimensions (HH x WW x DD)</b>	800mm x 440 mm x 174.5 mm (4U)
<b>Net Weight</b>	27kg (excluding CPU, DRAM, and HDD)
<b>Gross Weight</b>	52kg (including packaging, excluding CPU, DRAM, and HDD)
<b>Power Supply / Power Rating</b>	2+2 Redundant 2600W/3000W 80 PLUS Titanium Power Supply 2+1 Redundant 3000W 80 PLUS Titanium Power Supply Rating: 220-240 Vac, 15.5A (x4), 50-60Hz
<b>Environment</b>	Operating temperature: 10°C ~ 35°C Non-operating temperature: -40°C ~ 70°C Non-operating humidity: 20% ~ 90% (Non-condensing)

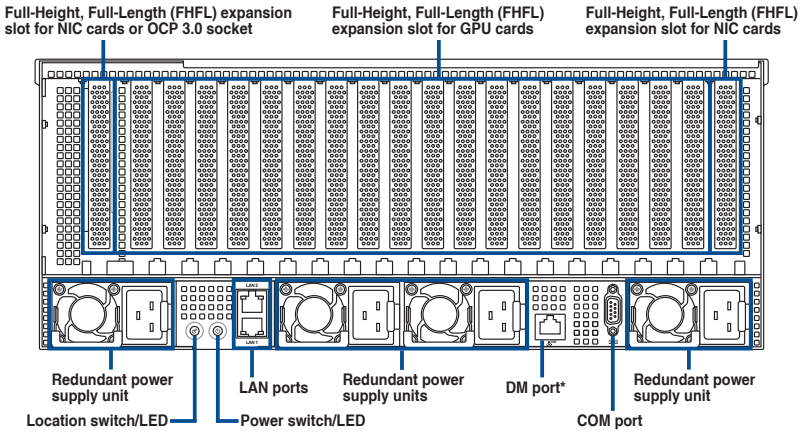


- Specifications are subject to change without notice.
- Refer to [www.asus.com](http://www.asus.com) for the latest OS AVL update.

## 1.4 Front panel features



## 1.5 Rear panel features

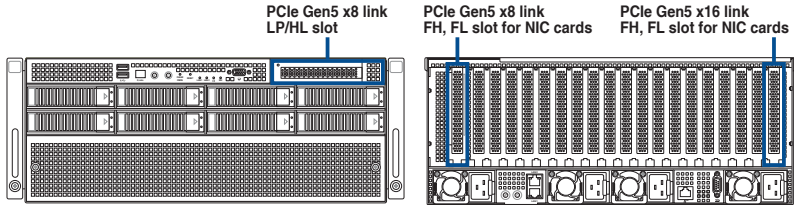


The DM (Dedicated Management) port is for ASUS ASMB11-iKVM only.

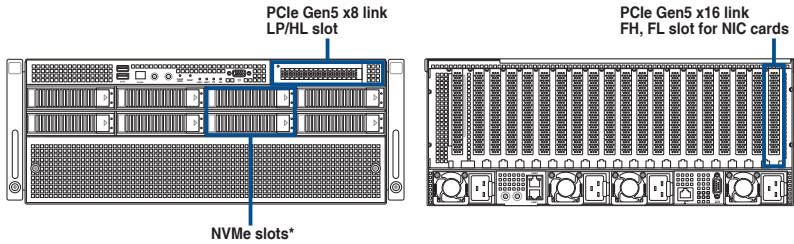
## 1.6 Base unit SKU options

In addition to support for eight dual-slot GPU expansion cards, the server also comes with expansion slots that are configured in different base unit SKUs to meet various expansion requirements.

### 1.6.1 Support for 3 PCIe

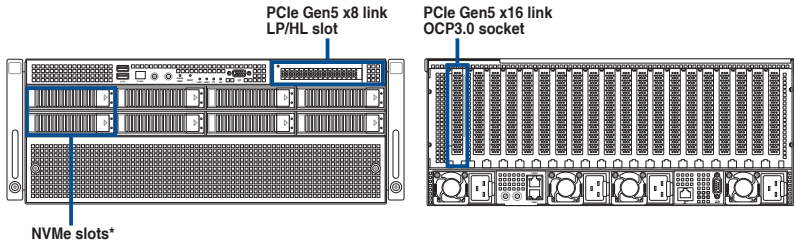


### 1.6.2 Support for 2 PCIe + 2 NVMe



Additional 2 x NVMe support (for a total of 4 x NVMe) will occupy the front x8 PCIe slot.

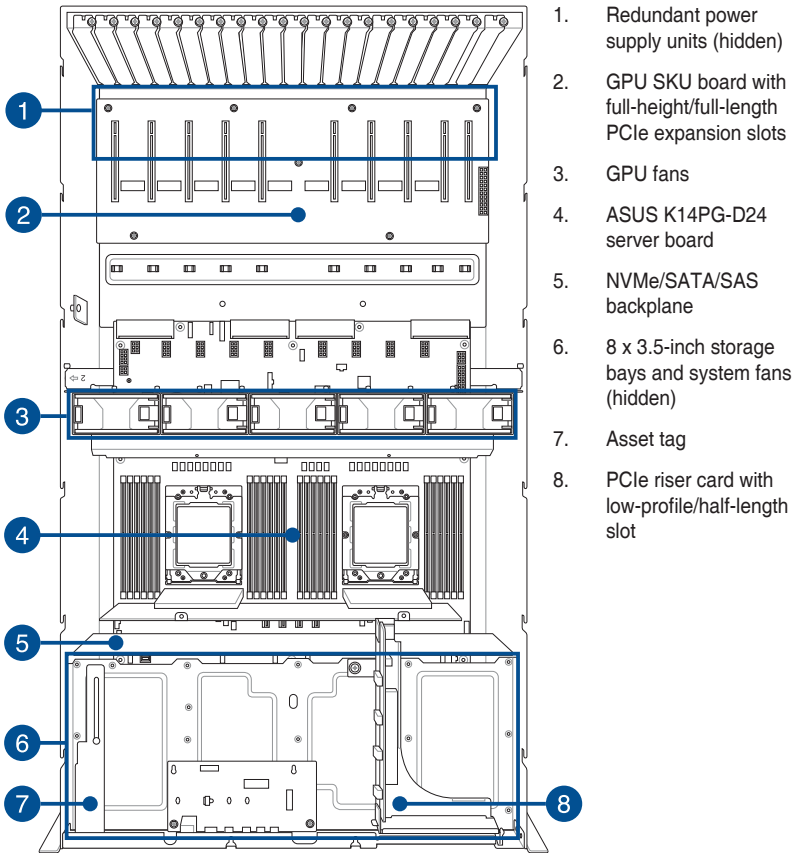
### 1.6.3 Support for 1 PCIe + 1 OCP3.0 + 2 NVMe



Additional 2 x NVMe support (for a total of 4 x NVMe) will occupy the front x8 PCIe slot.

## 1.7 Internal features

The barebone server includes the basic components as shown.



The barebone server does not include a floppy disk drive or an optical drive. Connect a USB floppy disk drive to any of the USB ports on the front or rear panel if you need to use a floppy disk.

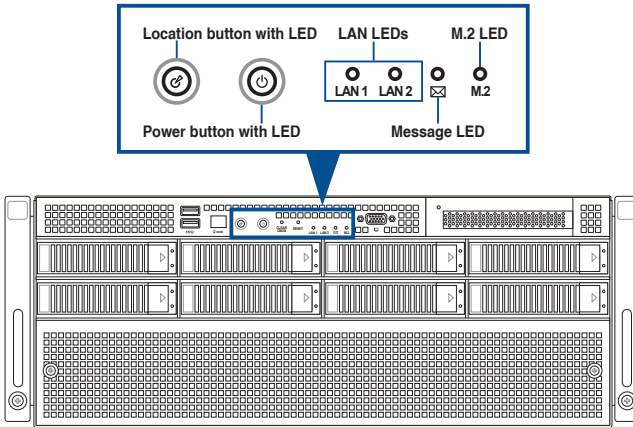


A protection film is pre-attached to the front cover before shipping. Remove the protection film before turning on the system for sufficient heat dissipation.

**WARNING**  
HAZARDOUS MOVING PARTS  
KEEP FINGERS AND OTHER BODY PARTS AWAY

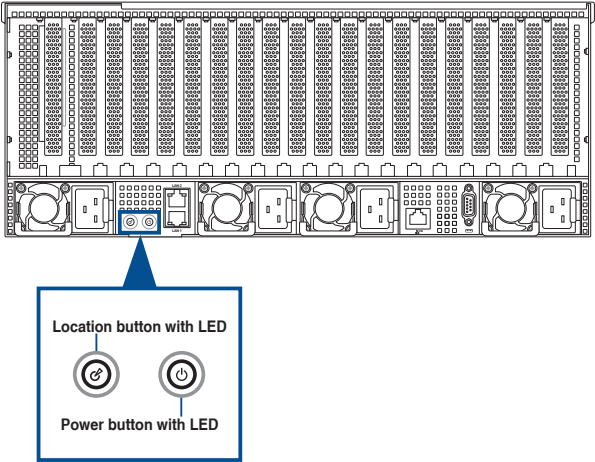
## 1.8 LED information

### 1.8.1 Front panel LEDs



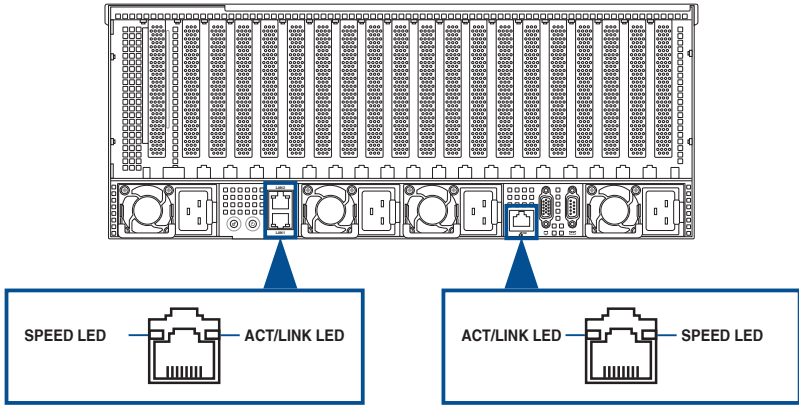
LED	Icon	Display status	Description
Power button with LED		ON	System power on
Location button with LED		ON	Location switch is pressed (Press the location switch again to turn off)
		OFF	Function off
LAN LEDs		ON	LAN connection is present
		Blinking	LAN is transmitting or receiving data
		OFF	No LAN connection
Message LED		ON	A hardware monitor event is indicated
		OFF	System is normal; no incoming event
M.2 LED	<b>M.2</b>	Blinking	M.2 storage device reading or writing data

## 1.8.2 Rear panel LEDs



LED	Icon	Display status	Description
Power button with LED		ON	System power on
Location button with LED		ON	Location switch is pressed (Press the location switch again to turn off)
		OFF	Function off

### 1.8.3 LAN (RJ-45) LEDs



#### Intel® I350-AM4 1GbE LAN port LEDs

SPEED LED		ACT/LINK LED	
Status	Description	Status	Description
OFF	10 Mbps connection	OFF	No link
ORANGE	100 Mbps connection	GREEN	Linked
GREEN	1 Gbps connection	BLINKING	Data activity

#### Intel® X710-AT2 10GbE LAN port LEDs

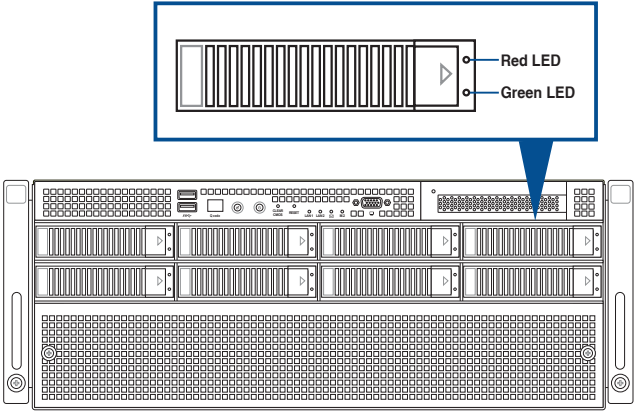
SPEED LED		ACT/LINK LED	
Status	Description	Status	Description
OFF	100 Mbps connection	OFF	No link
ORANGE	1-5 Gbps connection	GREEN	Linked
GREEN	10 Gbps connection	BLINKING	Data activity

#### Dedicated Management LAN port (DM\_LAN1) LED indications

SPEED LED		ACT/LINK LED	
Status	Description	Status	Description
OFF	10 Mbps connection	OFF	No link
ORANGE	100 Mbps connection	GREEN	Linked
GREEN	1 Gbps connection	BLINKING	Data activity



### 1.8.4 Storage device status LEDs



Storage Device LED Description		
Status (RED)	ON	Storage device has failed
	Blinking	RAID rebuilding or locating
Activity (GREEN)	ON	Storage device power ON
	Blinking	SATA/SAS/NVMe storage device reading or writing data
	OFF	Storage device not found



# Hardware Setup

# 2

This chapter lists the hardware setup procedures that you have to perform when installing or removing system components.

## 2.1 Chassis cover

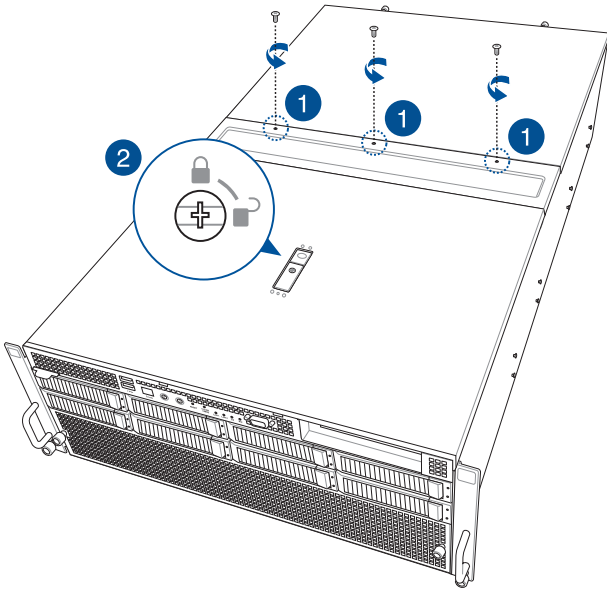
There are two parts of the chassis cover you may remove.



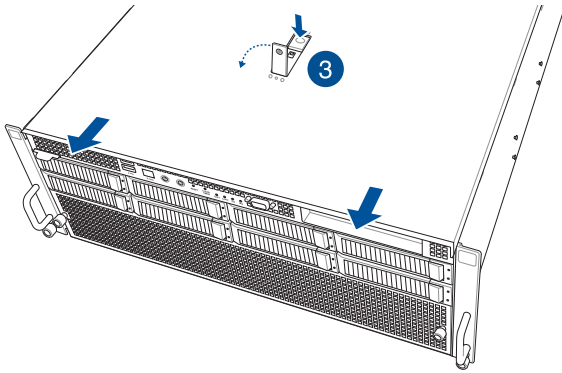
The diagrams in this section are for reference only. The system layout may vary with models, but the installation steps are the same for all models.

To remove the front chassis cover:

1. Remove the three screws on the top of the chassis cover.
2. Turn the screw clockwise to unlock the latch.

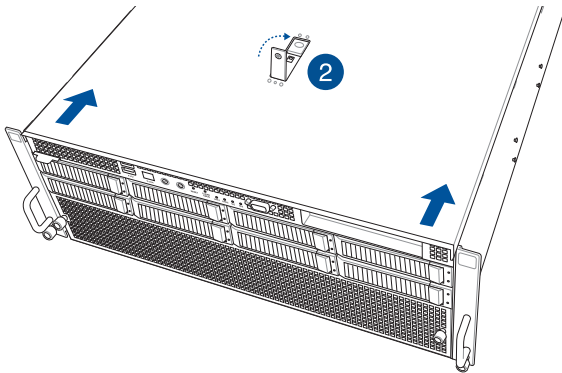


3. Press the spring lock to release the latch, then pull the latch upwards to disengage the chassis cover from the chassis.
4. Slide the chassis cover towards the front, then lift it to remove it from the chassis.

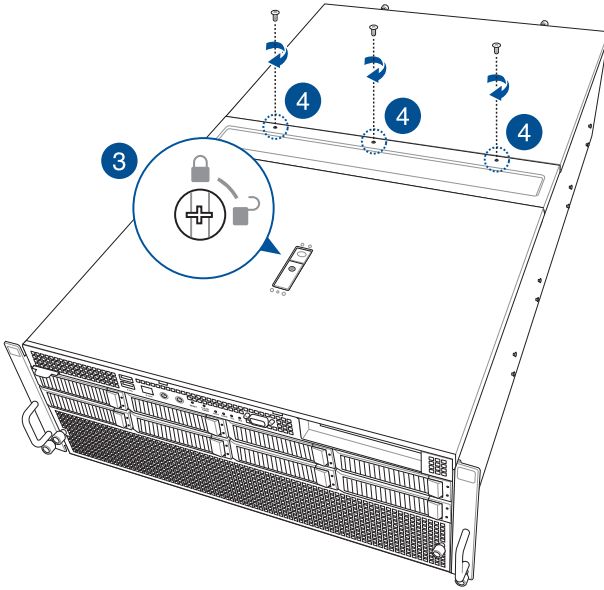


To install the front chassis cover:

1. Pull the latch upwards, then place the chassis cover onto the chassis.
2. Push the latch downwards to lock the chassis cover into place.

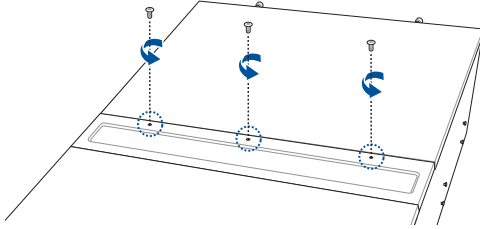


3. Turn the screw counter-clockwise to lock the latch.
4. Secure the chassis cover using the three screws removed earlier.

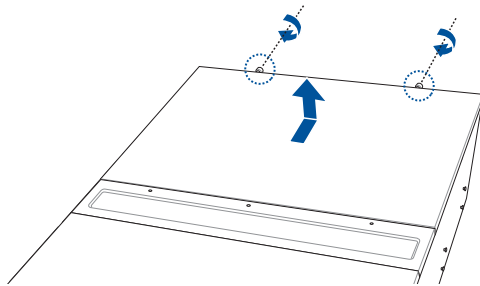


To remove the rear chassis cover:

1. Remove the three screws on the top of the chassis cover.

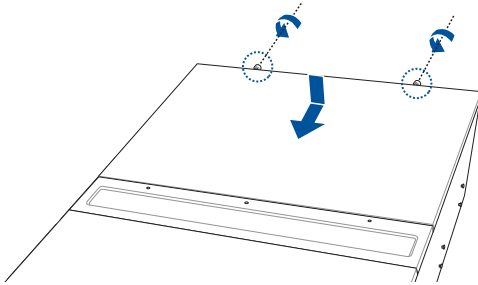


2. Loosen the two thumbscrews on the rear of the chassis.
3. Slide the chassis cover towards the rear, then lift it to remove it from the chassis.

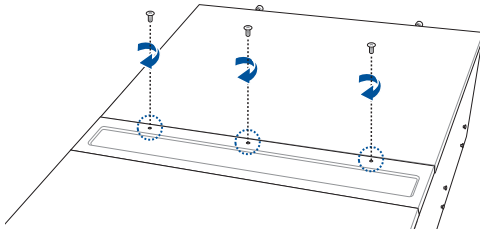


To install the rear chassis cover:

1. Place the chassis cover onto the chassis, then secure it using the two thumbscrews.



2. Secure the chassis cover using the three screws removed earlier.



---

A protection film is pre-attached to the system cover before shipping. Please remove the protection film before turning on the system for proper heat dissipation.

---



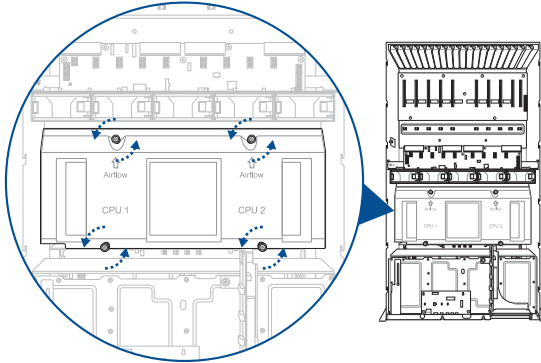
## 2.2 Air ducts



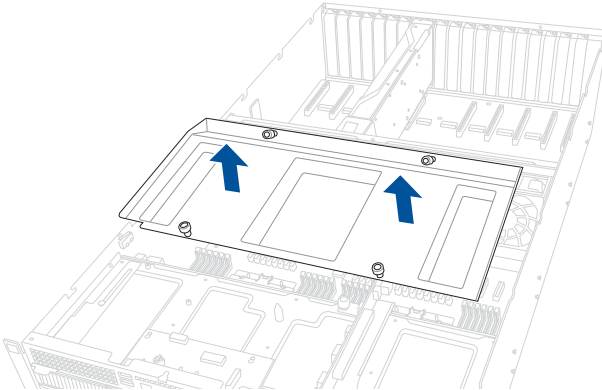
The diagrams in this section are for reference only. The system layout may vary with models, but the installation steps are the same for all models.

To remove the air duct:

1. Loosen the four thumb screws on the air duct.

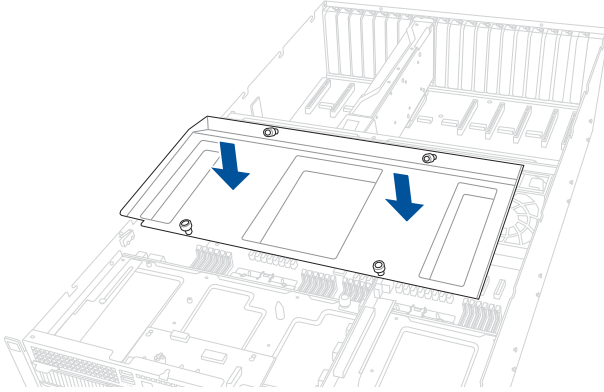


2. Lift the air duct to remove it from the motherboard.

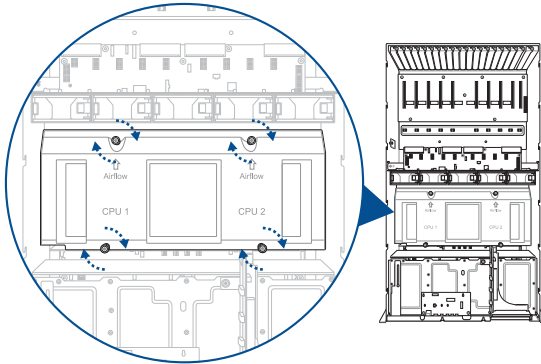


To reinstall the air duct:

1. Align and insert the air duct into the chassis.



2. Tighten the four thumb screws to secure the air duct to the chassis.



## 2.3 Central Processing Unit (CPU)

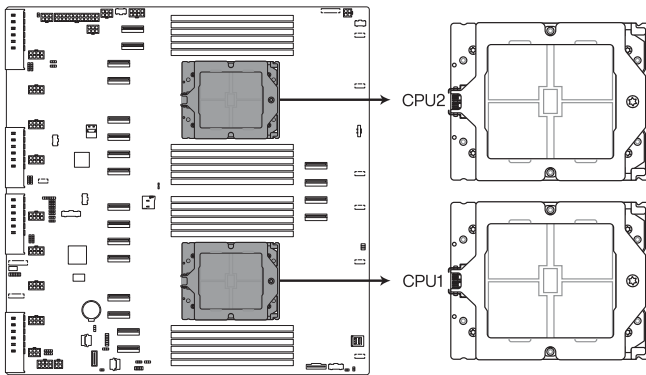
The motherboard comes with two (2) surface mount Socket SP5 sockets designed for AMD EPYC™ 9004 Series CPUs.



- Upon purchase of the motherboard, ensure that the PnP cap is on the socket and the socket contacts are not bent. Contact your retailer immediately if the PnP cap is missing, or if you see any damage to the PnP cap/socket contacts/motherboard components. ASUS will shoulder the cost of repair only if the damage is shipment/transit-related.
- Keep the cap after installing the motherboard. ASUS will process Return Merchandise Authorization (RMA) requests only if the motherboard comes with the cap on the socket.
- The product warranty does not cover damage to the socket contacts resulting from incorrect CPU installation/removal, or misplacement/loss/incorrect removal of the PnP cap.

### 2.3.1 Installing the CPU and heatsink

1. Remove the rear chassis cover. For more information, see the **Chassis cover** section.
2. Remove the air duct. For more information, see the **Air Duct** section.
3. Locate the CPU socket on the motherboard.



K14PG-D24 CPU Socket SP5 LGA 6096

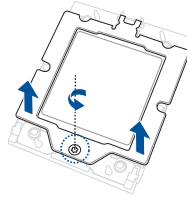
4. Loosen the screw on the socket to open the load plate.



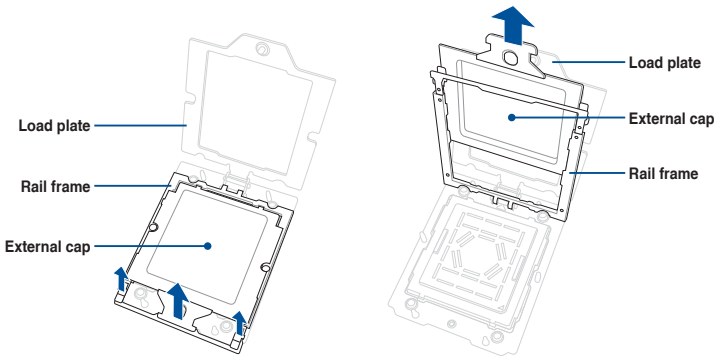
---

A T20 screwdriver with a torque value of  $13.5 \pm 1.0$  kgf-cm is recommended.

---



5. Lift open the rail frame, then slide the external cap out of the rail frame.



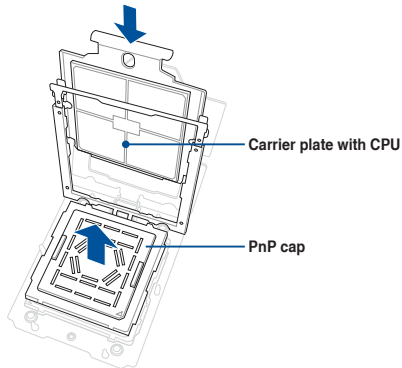
6. Slide the carrier frame with CPU into the rail frame, then remove the PnP cap.



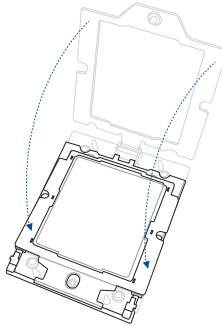
---

The carrier frame with CPU fits in only one correct orientation. DO NOT force the carrier frame with CPU into the rail frame.

---



7. Gently close the rail frame just enough to let it sit on top of the CPU socket.



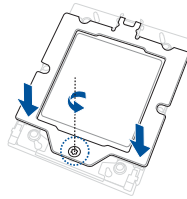
8. Close the load plate just enough to let it sit on top of the CPU, then secure the load plate using the screw on the socket.



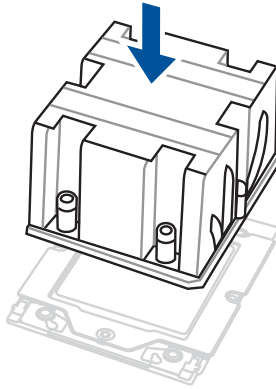
---

A T20 screwdriver with a torque value of  $13.5 \pm 1.0$  kgf-cm is recommended.

---



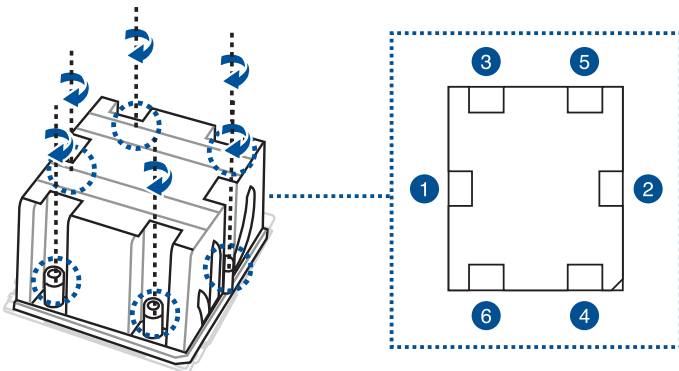
9. Place the heatsink on the CPU socket and make sure the heatsink screws are aligned with the CPU socket.



10. Partially tighten each of the six screws with a screwdriver in the order shown both in the illustration and on the heatsink just enough to attach the heatsink to the motherboard. When the six screws are attached, tighten them one by one in the same order to completely secure the heatsink.



- The heatsink screws are T20 models. A torque value of  $13.5 \pm 1.0 \text{ kg-cm}$  ( $11.7 \pm 0.9 \text{ lbf-in}$ ) is recommended.
- To remove the heatsink, loosen the screws in the reverse order.



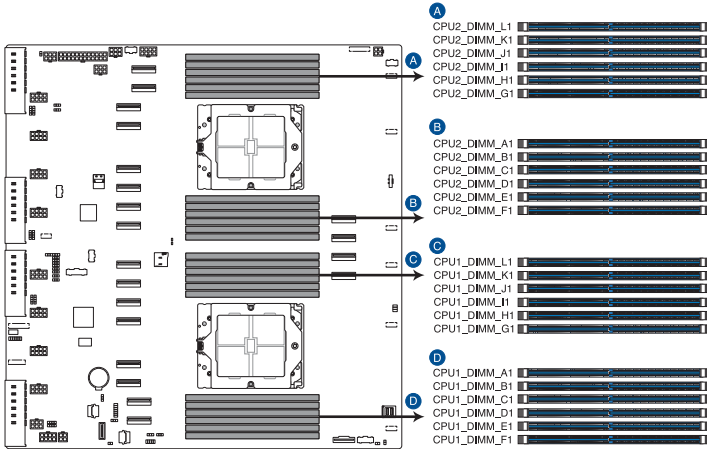
11. Reinstall the air ducts. For more information, refer to the **Air ducts section**.

## 2.4 System memory

### 2.4.1 Overview

The motherboard comes with twenty four (24) Double Data Rate 5 (DDR5) Dual Inline Memory Modules (DIMM) sockets.

The figure illustrates the location of the DDR5 DIMM sockets:



**K14PG-D24 288-pin DDR5 DIMM sockets**

## 2.4.2 Memory configurations

You may install 16GB, 32GB, 64GB, 128GB and 256GB RDIMM/RDIMM 3DS. If you are not sure on which slots to install the DIMMs, you can use the recommended memory configuration in this section for reference.



- Refer to ASUS Server AVL for the updated list of compatible DIMMs.
- Always install DIMMs with the same CAS latency. For optimum compatibility, it is recommended that you obtain memory modules from the same vendor.

Recommended dual CPU configuration							
	2 DIMMs	4 DIMMs	8 DIMMs	12 DIMMs	16 DIMMs	20 DIMMs	24 DIMMs
CPU1_DIMM_A1	•	•	•	•	•	•	•
CPU1_DIMM_B1				•	•	•	•
CPU1_DIMM_C1			•	•	•	•	•
CPU1_DIMM_D1						•	•
CPU1_DIMM_E1					•	•	•
CPU1_DIMM_F1							•
CPU1_DIMM_G1		•	•	•	•	•	•
CPU1_DIMM_H1				•	•	•	•
CPU1_DIMM_I1			•	•	•	•	•
CPU1_DIMM_J1						•	•
CPU1_DIMM_K1					•	•	•
CPU1_DIMM_L1							•
CPU2_DIMM_A1	•	•	•	•	•	•	•
CPU2_DIMM_B1				•	•	•	•
CPU2_DIMM_C1			•	•	•	•	•
CPU2_DIMM_D1						•	•
CPU2_DIMM_E1					•	•	•
CPU2_DIMM_F1							•
CPU2_DIMM_G1		•	•	•	•	•	•
CPU2_DIMM_H1				•	•	•	•
CPU2_DIMM_I1			•	•	•	•	•
CPU2_DIMM_J1						•	•
CPU2_DIMM_K1					•	•	•
CPU2_DIMM_L1							•



## Recommended single CPU configuration

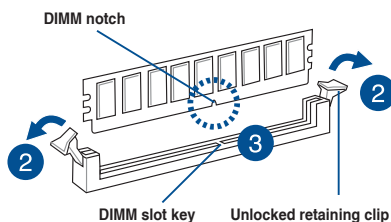
	1 DIMM	2 DIMMs	4 DIMMs	6 DIMMs	8 DIMMs	10 DIMMs	12 DIMMs
CPU1_DIMM_A1	•	•	•	•	•	•	•
CPU1_DIMM_B1				•	•	•	•
CPU1_DIMM_C1			•	•	•	•	•
CPU1_DIMM_D1						•	•
CPU1_DIMM_E1					•	•	•
CPU1_DIMM_F1							•
CPU1_DIMM_G1		•	•	•	•	•	•
CPU1_DIMM_H1				•	•	•	•
CPU1_DIMM_I1			•	•	•	•	•
CPU1_DIMM_J1						•	•
CPU1_DIMM_K1					•	•	•
CPU1_DIMM_L1							•

### 2.4.3 Installing a DIMM



Ensure to unplug the power supply before adding or removing DIMMs or other system components. Failure to do so may cause severe damage to both the motherboard and the components.

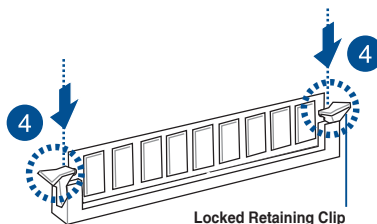
1. Remove the chassis cover. For more information, see the **Chassis cover** section.
2. Unlock a DIMM socket by pressing the retaining clips outward.
3. Align a DIMM on the socket such that the notch on the DIMM matches the DIMM slot key on the socket.



A DIMM is keyed with a notch so that it fits in only one direction. **DO NOT** force a DIMM into a socket in the wrong direction to avoid damaging the DIMM.

4. Hold the DIMM by both of its ends then insert the DIMM vertically into the socket. Apply force to both ends of the DIMM simultaneously until the retaining clips snap back into place.

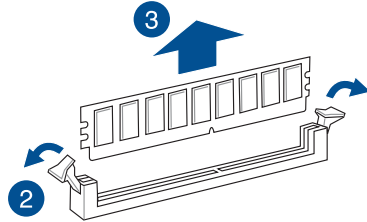
Ensure that the DIMM is sitting firmly in the DIMM slot.



Always insert the DIMM into the socket **VERTICALLY** to prevent DIMM notch damage.

## 2.4.4 Removing a DIMM

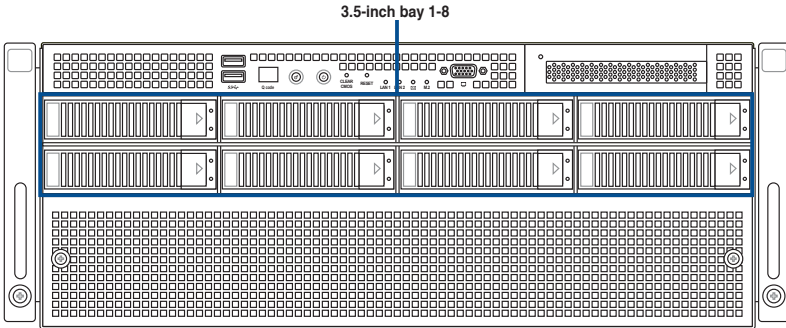
1. Remove the chassis cover. For more information, see the **Chassis cover** section.
2. Simultaneously press the retaining clips outward to unlock the DIMM.
3. Remove the DIMM from the socket.



Support the DIMM lightly with your fingers when pressing the retaining clips. The DIMM might get damaged when it springs out with extra force.

## 2.5 Storage devices

The system supports up to eight (8) 3.5" SATA/SAS storage devices or up to eight (8) 2.5" hot-swap NVMe storage devices. Storage devices installed on storage device trays connect to the motherboard via the NVMe/SATA/SAS backplane (SAS storage devices require an optional HBA/RAID card).

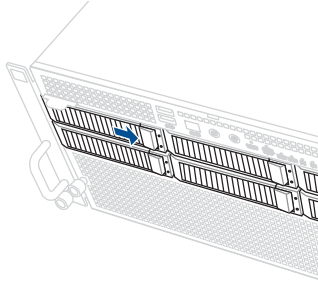


All bays support 3.5"/2.5" drives with trays.

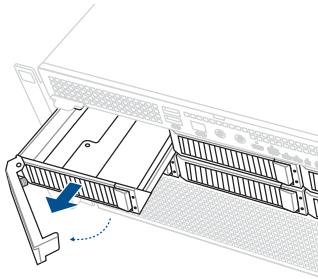
## 2.5.1 Installing a 3.5-inch storage device

To install a 3.5-inch storage device:

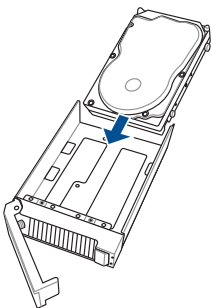
1. Press the spring lock to release the tray lever and to partially eject the tray from the bay.



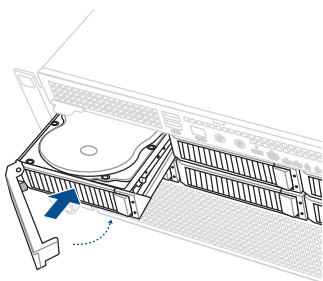
2. Firmly hold the tray lever and pull the storage device out of the bay.



3. Place the storage device tray on a flat and stable surface.
4. Prepare the 3.5" storage device and the bundled set of screws.
5. Place the 3.5" storage device into the tray, then secure it with four screws.



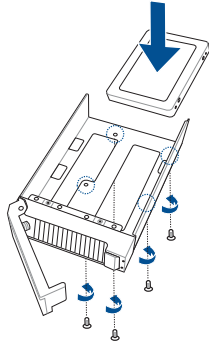
6. Carefully insert the tray and push it all the way into the storage device bay, then lock the tray lever to secure the drive bay in place.



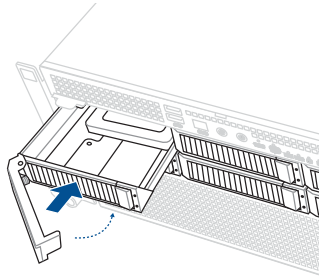
7. Repeat steps 1 to 6 to install additional 3.5" storage devices.

## 2.5.2 Installing a 2.5-inch storage device

1. Follow steps 1 to 3 of the **Installing a 3.5-inch storage device** section to remove the drive tray from the chassis.
2. Prepare the 2.5" storage device and the bundled set of screws.
3. Place the 2.5" storage device into the tray, then secure it with four screws.



4. Carefully insert the tray and push it all the way into the storage device bay, then lock the tray lever to secure the drive bay in place.



5. Repeat steps 1 to 4 to install additional 2.5" storage devices.

## 2.6 Expansion slots



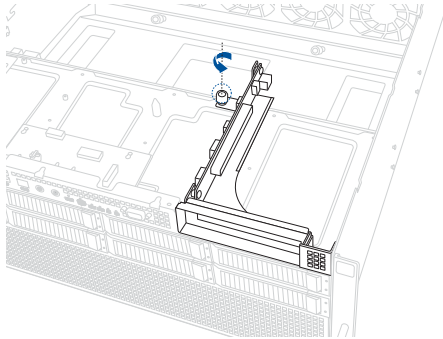
Ensure to unplug the power cord before adding or removing expansion cards. Failure to do so may cause you physical injury and damage motherboard components.

### 2.6.1 Installing an expansion card to the front PCIe expansion card bracket (on select models)

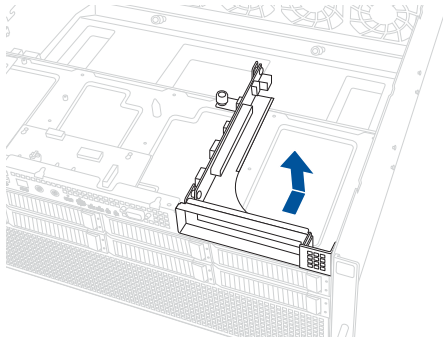
The server system comes pre-installed with a front riser card bracket that supports one x16 slot (Gen5 x16 link) for installing a low-profile, half-length PCIe expansion card.

To install a PCIe expansion card to the front PCIe riser card bracket:

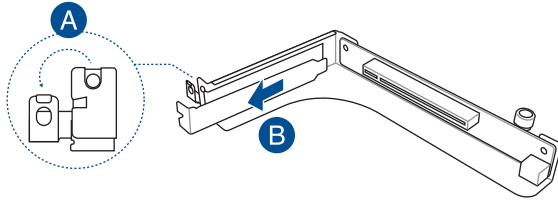
1. Loosen the thumb screw that secures the riser card bracket to the chassis.



2. Firmly hold the riser card bracket, slide it towards the back of the chassis to unlock it, then pull it up to detach it from the chassis.



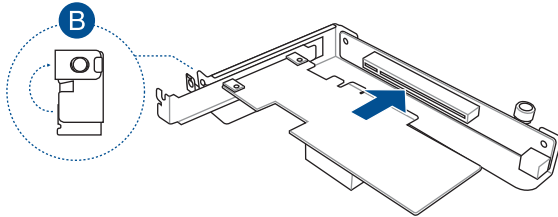
3. Push the metal bracket lock counter clockwise (A) until the metal bracket can be removed, then remove the metal bracket (B).



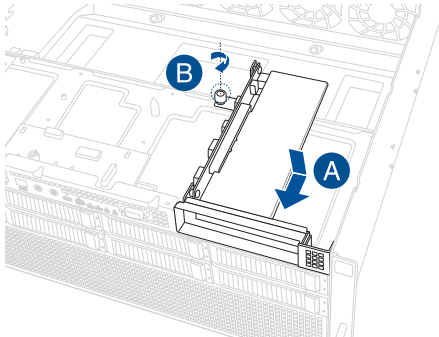
4. Insert the expansion card into the PCIe slot (A). Ensure that the golden fingers are totally inserted into the slot, then push the metal bracket lock clockwise until it locks and secures the expansion card to the riser card bracket (B).



Before installing an expansion card, read the documentation that came with it and ensure that the proper hardware settings are configured.



5. Align and insert the riser card and expansion card assembly into the chassis, then slide it towards the front of the chassis (A). Once in place, tighten the riser thumbscrew (B).

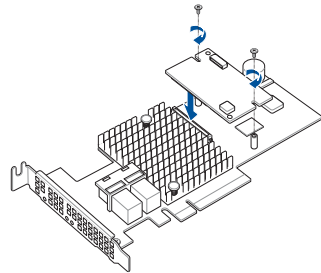
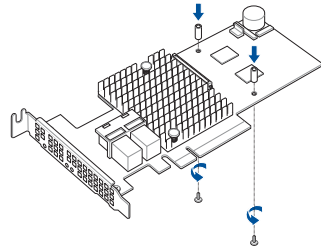


## 2.6.2 Installing an ASUS PIKE II or RAID card

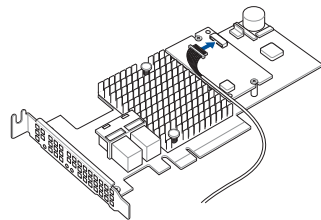
A PIKE II or RAID card can be installed in the internal SAS/HBA/Storage bracket located in the front of the system.

1. Prepare the ASUS PIKE II or RAID card.
2. (Optional) To install an ASUS PIKE II 3108 card and cache vault, follow the below instructions to install the cache vault add-on card:

- a. Align the two spacers with the screw holes on the ASUS PIKE II card, then secure the two spacers with two screws from the bottom of the card.
- b. Align and install the bundled cache vault add-on card onto the connector on the ASUS PIKE II card, then secure it to the two spacers with two screws.



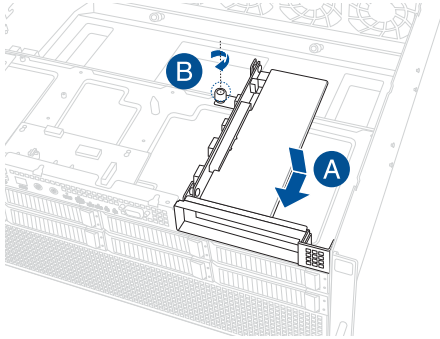
- c. Connect the bundled power cable to the cache vault add-on card.



3. Follow steps 1-4 from the **Installing an expansion card to the front PCIe expansion card bracket** section to install the card to the riser bracket.



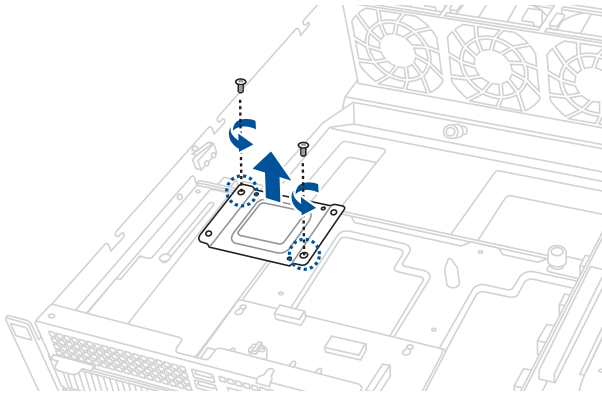
4. Refer to the **NVMe/SATA/SAS backplane** section to connect the PIKE II or RAID card to the backplane.
5. Align and insert the riser card and expansion card assembly into the chassis, then slide it towards the front of the chassis (A). Once in place, tighten the riser thumbscrew (B).



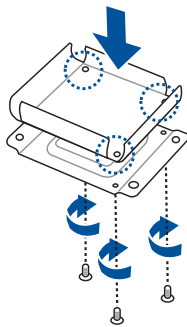
6. (Optional) Refer to the **Installing the Cache Vault Power Module** section to install and connect the Cache Vault Power Module.

## 2.6.3 Installing the Cache Vault Power Module

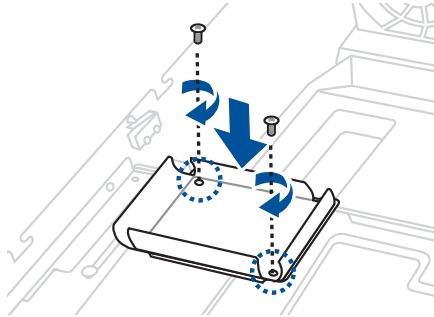
1. Unscrew the two screws securing the Cache Vault bracket to the chassis, then remove the bracket.



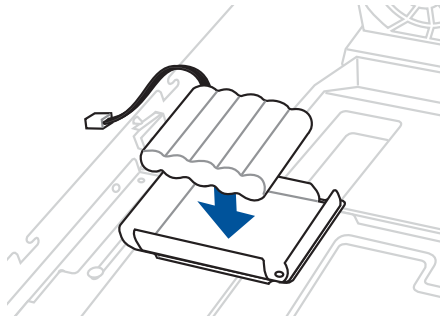
2. Align the three screw holes on the Cache Vault Power Module clip to the three screw holes on the Cache Vault bracket, then secure the clip with the three (3) bundled screws.



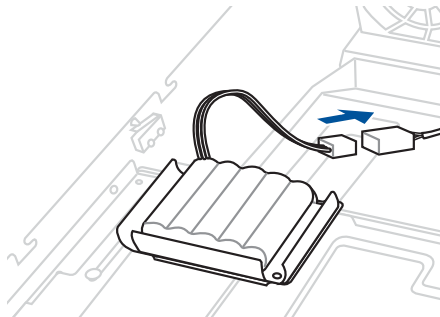
3. Align the screw holes on the Cache Vault bracket with the screw holes on the chassis, then secure the Cache Vault bracket with the two screws removed earlier.



4. Align and install the Cache Vault Power Module into the Cache Vault Power Module clip.

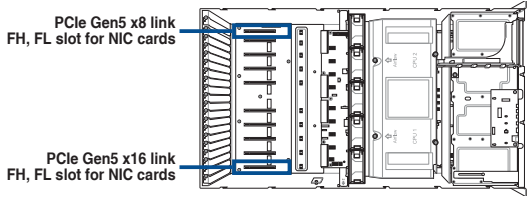


5. Connect the Cache Vault Power Module to the PIKE II card or RAID card.

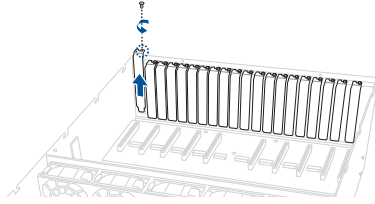


## 2.6.4 Installing an expansion card to the rear PCIe expansion card slots (on select models)

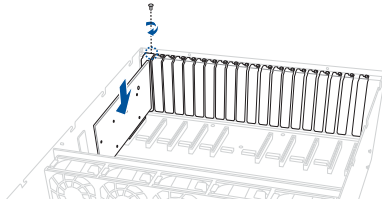
Follow the below instructions to install an expansion card to the rear PCIe expansion card slots.



1. Remove the screws from the metal cover, then remove the metal cover.

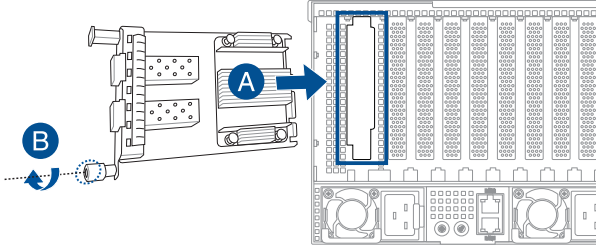


3. Align and insert the golden fingers of the PCIe card into the PCIe slot, then secure it using the screw removed earlier.



## 2.6.5 Installing an OCP 3.0 card to the rear OCP 3.0 socket board (on select models)

Insert and push the OCP 3.0 card all the way into the socket board (A), then secure the card with the thumb screw (B).



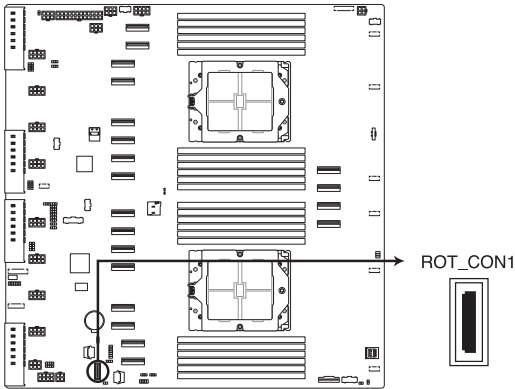
## 2.6.6 (optional) Installing the PFR module

The optional PFR module will come pre-installed on your system and is connected to the PFR module connector on your motherboard.



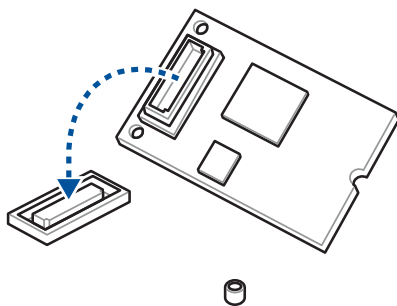
- The illustration below is for reference only.
- For more information or assistance, please refer to [www.asus.com](http://www.asus.com).

1. Locate the PFR module connector on your motherboard.

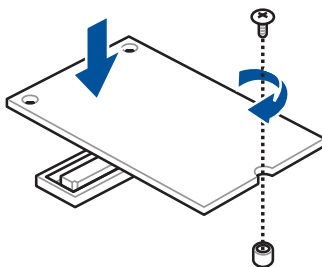


K14PG-D24 PFR module connector

2. Align and connect the PFR module to the PFR module connector.



3. Push the PFR module down so that it is seated securely on the PFR module connector, then secure it using a screw.

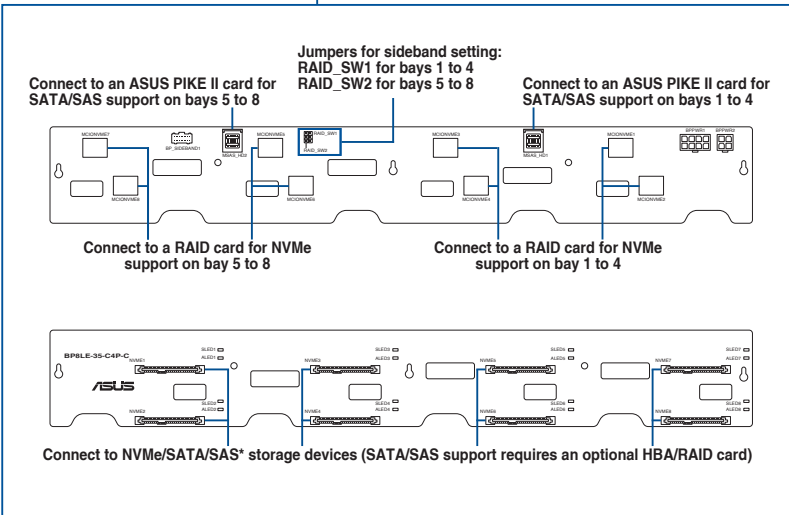
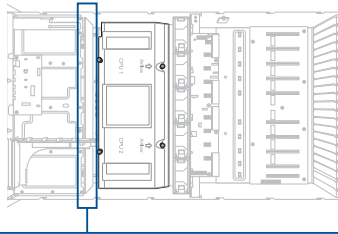


## 2.7 Cable connections

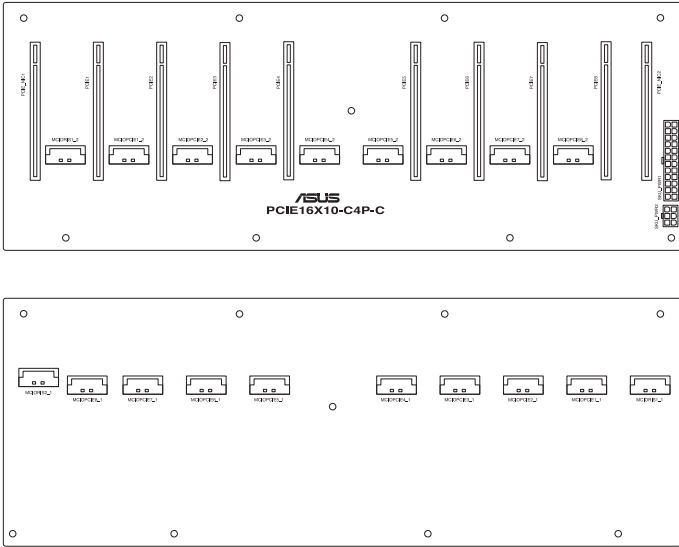


The bundled system cables are pre-connected before shipment. You do not need to disconnect these cables unless you remove the pre-installed components to install additional devices.

### 2.7.1 NVMe/SATA/SAS backplane



## 2.7.2 GPU SKU board



## 2.8 Removable/optional components

The following sections describe installation or removal instructions for the following removable/optional components:

1. GPU fans
2. System fans
3. Redundant power supply units
4. GPU cards
5. GPU bridges



---

Ensure that the system is turned off before removing any components.

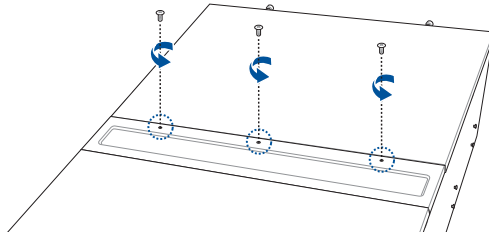
---



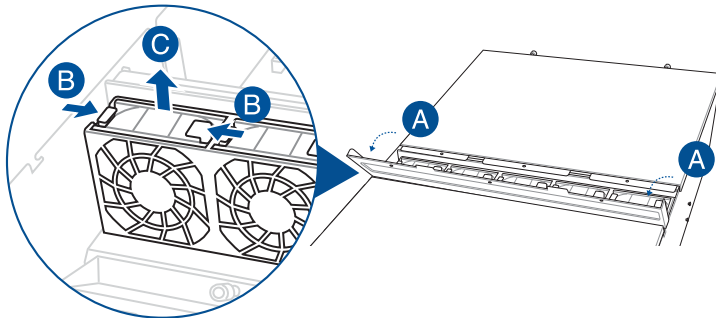
## 2.8.1 GPU fans

To uninstall a GPU fan:

1. Remove the three screws on the top of the chassis cover.

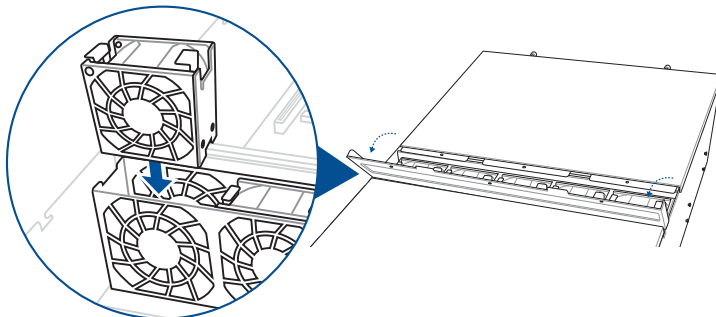


2. Open the GPU fan cover (A), then press the latch inwards to release the fan (B) and lift the fan from the fan cage (C).



To reinstall a GPU fan:

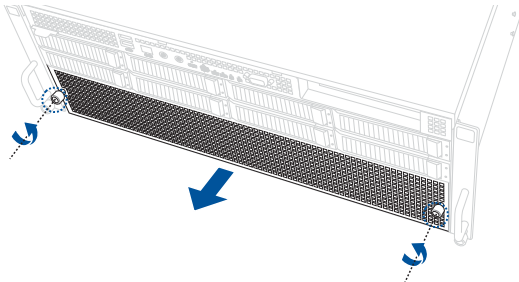
Insert the fan into the fan cage. Ensure the fan connector is seated firmly within the cable holder.



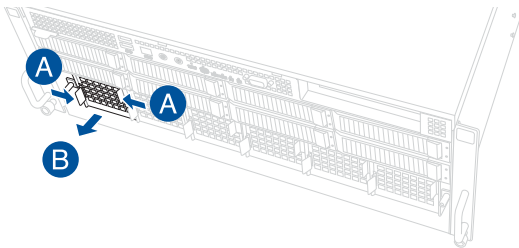
## 2.8.2 System fans

To uninstall a system fan:

1. Loosen the two thumb screws on the front of the chassis, then remove the system fan cover.

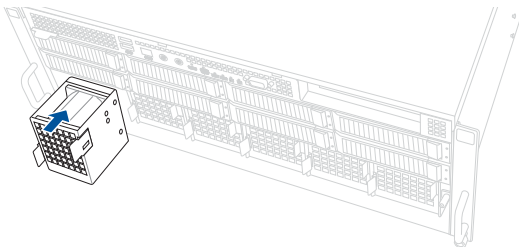


2. Press the latch inwards to release the fan (A), then pull the fan from the fan cage (B).



To reinstall a system fan:

Insert the fan into the fan cage. Ensure the fan connector is seated firmly within the cable holder.



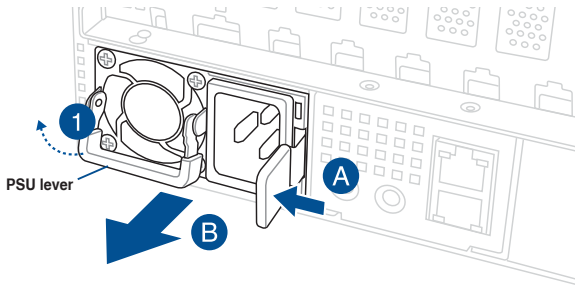
## 2.8.3 Redundant power supply units



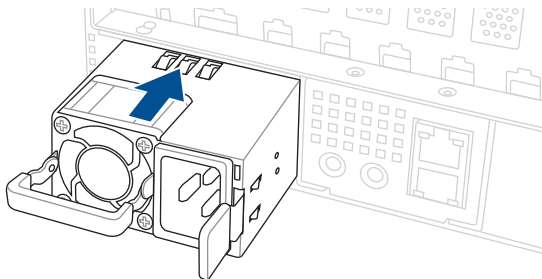
We recommend that you use both of your hands in performing the following steps.

To replace a power supply unit (PSU):

1. Lift up the PSU lever.
2. Hold the PSU lever, press the PSU latch (A), then carefully pull the PSU out of the system chassis (B).



3. Align and insert the replacement PSU into the empty PSU bay until it clicks in place.



- The system automatically combines the two power supply modules as a single one. The combined output power varies with input voltages.
- To enable the hot-swap feature (redundant mode), keep the total power consumption of the system under the maximum output power of an individual power supply module.



- Always use PSUs with the same watt and power rating. Combining PSUs with different wattages may yield unstable results and potential damage to your system.
- At least two working power supply units are required in order for the system to boot normally.
- For a steady power input, use only the power cables that come with the server system package.

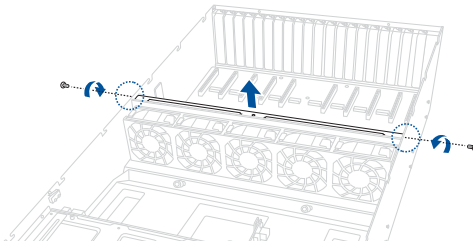
## 2.8.4 GPU cards



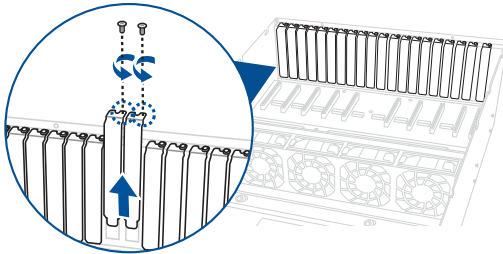
- Use both of your hands in performing the following steps.
- Read the documentation that comes with your GPU card before installing them.
- When installing more than one GPU card, it is recommended to install the cards in the following order: PCIe1 > PCIe2 > PCIe3 > PCIe4 > PCIe5 > PCIe6 > PCIe7 > PCIe8. Refer to the **GPU SKU board** section for location of the PCIe slots.

To install a GPU card to the system:

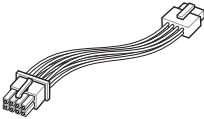
1. Remove the screws on the sides of the chassis, then remove the metal bar as shown in the illustration below.



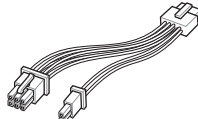
2. Remove the screws from the metal covers, then remove the metal covers.



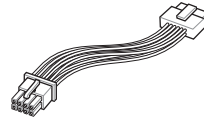
3. Prepare the appropriate GPU power cable depending on the type of GPU card.



Tesla/AMD  
8pin to 8pin power cable

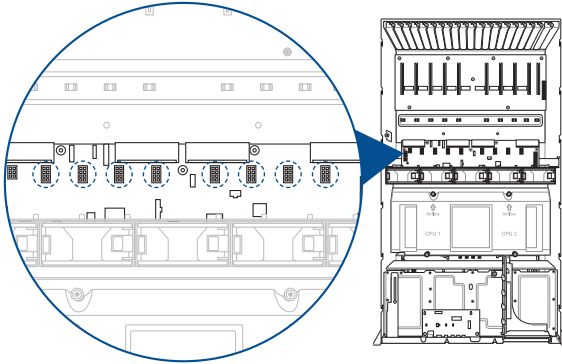


Quadro  
6+2pin to 8pin power cable

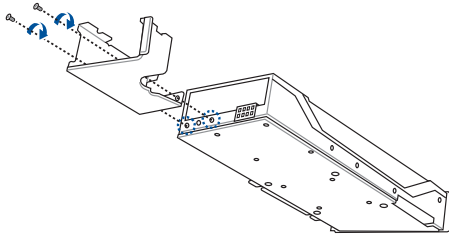


12VHPWR  
8pin to 12+4pin power cable

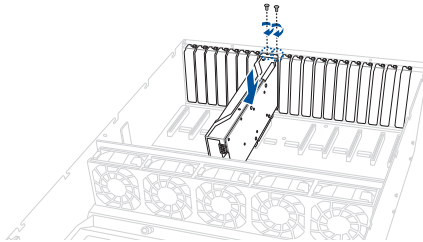
4. Connect the 8-pin end of the power cable to an available power connector in the middle of the server system.



5. Secure the air duct to the GPU card with two screws.



6. Align and insert the golden fingers of the GPU card into the PCIe slot on the PCIe SKU board, then secure it using the two screws removed earlier.



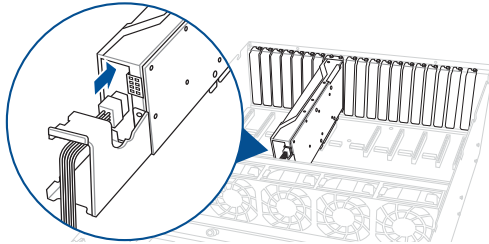
7. Connect the GPU power cable to the connector on the GPU card.



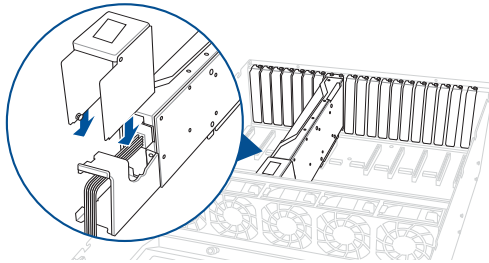
---

Ensure that the GPU power cable is completely inserted into the power connector on the GPU card or serious damage to your system may occur.

---



8. (Optional) For passively-cooled GPUs, install the additional air duct attachment.



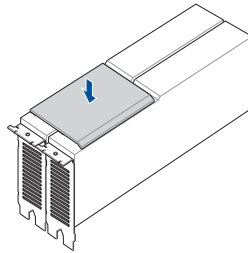
9. Repeat steps 1-8 to install additional GPU cards.

## 2.8.5 GPU bridges

Follow the steps below to install an optional GPU bridge to supported GPU cards.

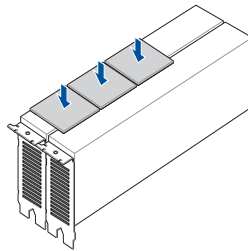
### For AMD GPU cards with GPU bridge support

Align the GPU bridge with the golden finger connectors on the GPU cards, then install the GPU bridge.



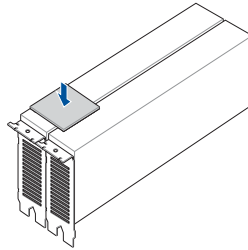
### For NVidia A100 GPU cards

Align the three GPU bridges with the golden finger connectors on the GPU cards, then install the GPU bridges.



### For NVidia RTX A5000 / A6000 GPU cards

Align the GPU bridge with the golden finger connectors on the GPU cards, then install the GPU bridge.



## 2.9 Rail kit options

This server system supports the rail kit options listed below. For more information on rail kit installation, refer to corresponding documentation on the ASUS support site or on the official product site for this server system.



- 
- We strongly recommend that at least two able-bodied persons perform the installation of the rail kit.
  - We recommend the use of an appropriate lifting tool or device, if necessary.
- 
- 2U full extension ball bearing rail kit

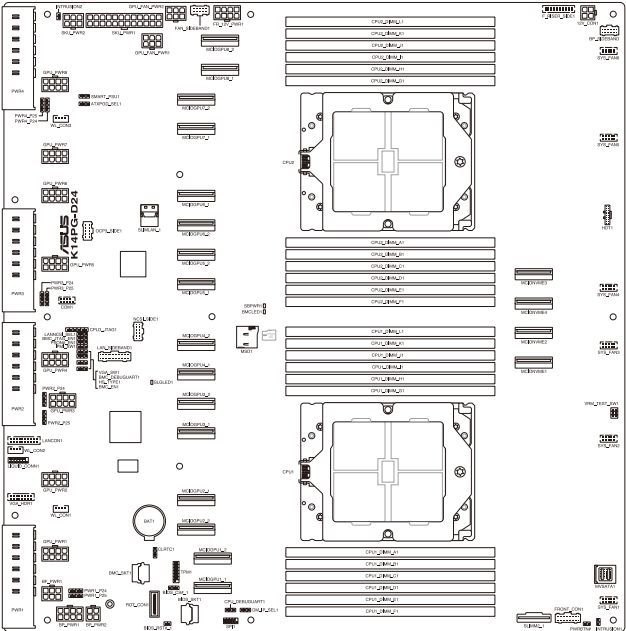


# Motherboard Information

# 3

This chapter gives information about the motherboard that comes with the server. This chapter includes the motherboard layout, jumper settings, and connector locations.

# 3.1 Motherboard layout



## Layout contents

Central Processing Unit (CPU)	Page
1. CPU socket(s)	3-4

Dual Inline Memory Module (DIMM)	Page
1. DIMM sockets	3-4

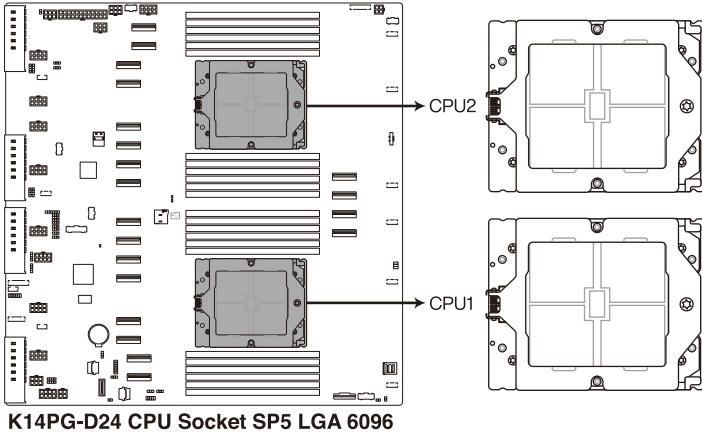
Jumpers	Page
1. DMLAN setting (3-pin DM_IP_SEL1)	3-5
2. VGA Controller setting (3-pin VGA_SW1)	3-5

Internal connectors	Page
1. TPM connector (14-1-pin TPM1)	3-6
2. Platform Firmware Resilience (PFR) module connector (ROT_CON1)	3-6
3. GPU_PWR connectors (8-pin GPU_PWR1-8)	3-7
4. BF Power connector (6-pin BFPWR1)	3-7
5. MicroSD Card slot (MSD1)	3-8

Onboard LEDs	Page
1. Baseboard Management Controller LED (BMCLED1)	3-9

### 3.2 Central Processing Unit (CPU)

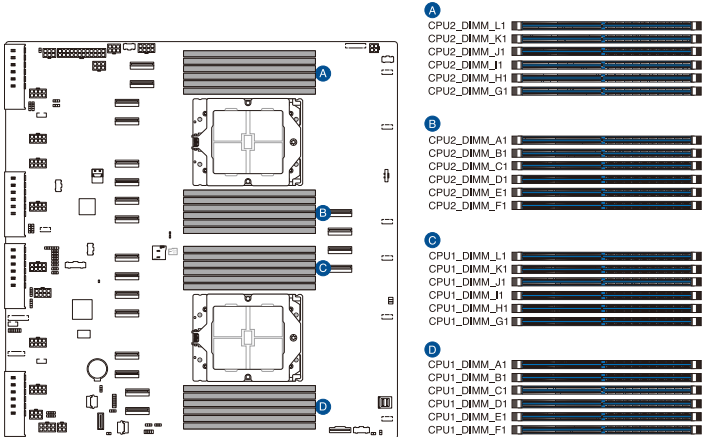
The motherboard comes with two surface mount SP5 sockets designed for the AMD EPYC™ 9004 Series processors.



**K14PG-D24 CPU Socket SP5 LGA 6096**

### 3.3 Dual Inline Memory Module (DIMM)

The motherboard comes with twenty four (24) Double Data Rate 5 (DDR5) Dual Inline Memory Modules (DIMM) sockets.

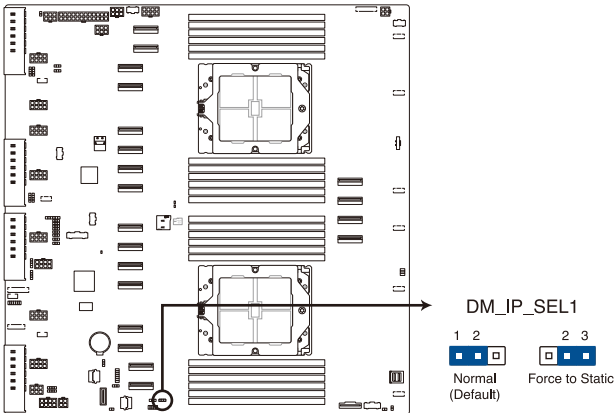


**K14PG-D24 288-pin DDR5 DIMM sockets**

## 3.4 Jumpers

### 1. DMLAN setting (3-pin DM\_IP\_SEL1)

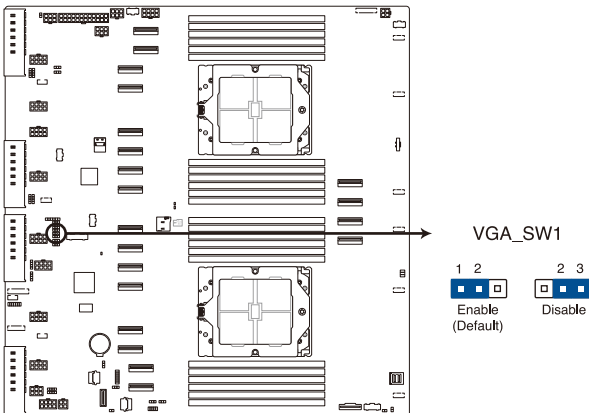
This jumper allows you to select the DMLAN setting. Set to pins 2-3 to force the DMLAN IP to static mode (IP=10.10.10.10, submask=255.255.255.0).



**K14PG-D24 DM\_IP\_SEL1**

### 2. VGA Controller setting (3-pin VGA\_SW1)

This jumper allows you to enable or disable the onboard VGA controller. Set to pins 1-2 to activate the VGA feature.

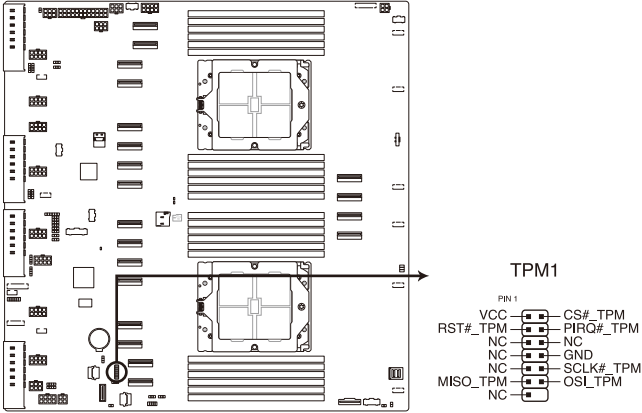


**K14PG-D24 VGA\_SW1**

### 3.5 Internal connectors

#### 1. TPM connector (14-1 pin TPM1)

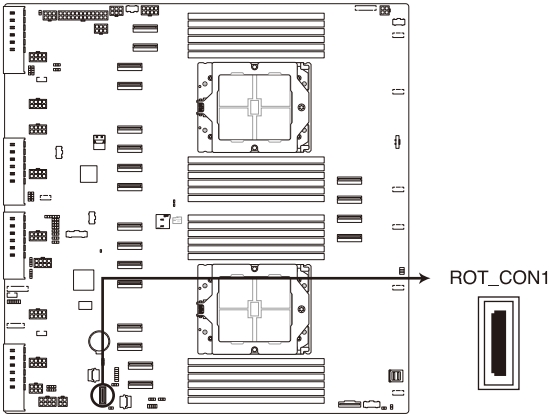
This connector supports a Trusted Platform Module (TPM) system, which can securely store keys, digital certificates, passwords, and data.



K14PG-D24 TPM1

#### 2. Platform Firmware Resilience (PFR) Module connector (ROT\_CON)

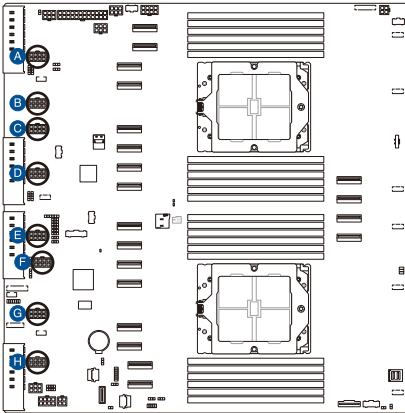
This connector allows you to connect a PFR module to enable platform firmware resilience functions.



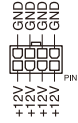
K14PG-D24 ROT\_CON1

### 3. GPU\_PWR connectors (8-pin GPU\_PWR1-8)

This connector supplies power to GPU cards. The 8-pin ATX power supply plug is designed to fit this connector in only one orientation. Find the proper orientation and push down firmly until the connector completely fits.



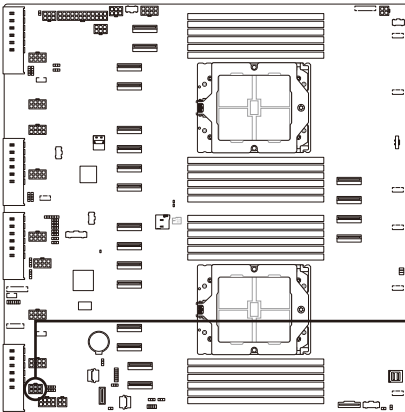
- A GPU\_PWR8
- B GPU\_PWR7
- C GPU\_PWR6
- D GPU\_PWR5
- E GPU\_PWR4
- F GPU\_PWR3
- G GPU\_PWR2
- H GPU\_PWR1



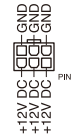
**K14PG-D24 GPU power connectors**

### 4. BF Power connector (6-pin BF\_PWR1)

This connector supplies power to the optional BlueField Ethernet DPU card. The 6-pin ATX power supply plug is designed to fit this connector in only one orientation. Find the proper orientation and push down firmly until the connector completely fits.



**BF\_PWR1**



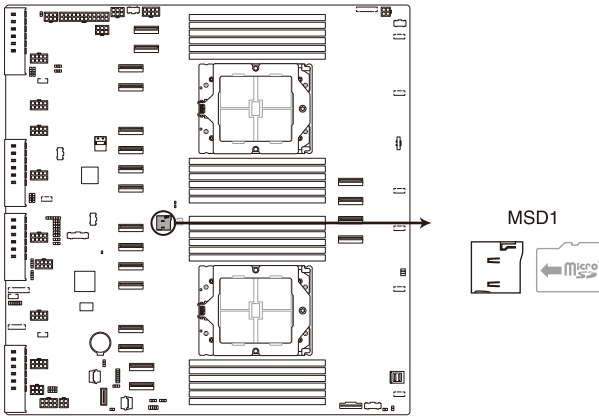
**K14PG-D24 BF power connector**



This power connector supplies a maximum of 150W and is only intended for use with a Bluefield Ethernet DPU card.

### 5. MicroSD Card slot (MSD1)

The microSD card slot allows you to install a microSD memory card v2.00 (SDHC) / v3.00 (SDXC) to log BMC events.



**K14PG-D24 MSD1**



---

Disconnect all power (including redundant PSUs) from the existing system before you add or remove a memory card, then reboot the system to access the memory card.

---



---

Some memory cards may not be compatible with your motherboard. Ensure that you use only compatible memory cards to prevent loss of data, damage to your device or memory card, or both.

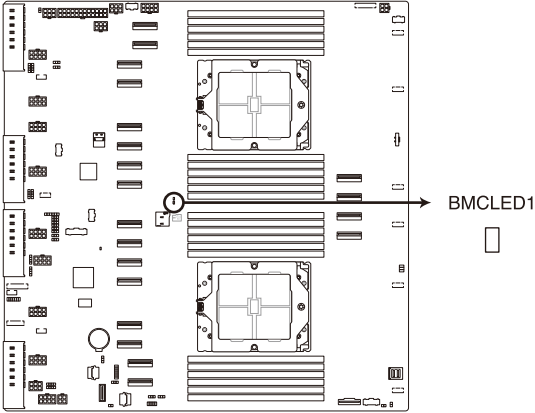
---



## 3.6 Onboard LEDs

### 1. Baseboard Management Controller LED (BMCLED1)

The BMC LED lights up to indicate that the on-board BMC is functional.



**K14PG-D24 BMCLED1**



# **BIOS Setup**

# 4

This chapter tells how to change the system settings through the BIOS Setup menus. Detailed descriptions of the BIOS parameters are also provided.

## 4.1 Managing and updating your BIOS

The following utilities allow you to manage and update the motherboard Basic Input/Output System (BIOS) setup:

### 1. **ASUS CrashFree BIOS 3**

To recover the BIOS using a bootable USB flash disk drive if the BIOS file fails or gets corrupted.

### 2. **ASUS EzFlash**

Updates the BIOS using a USB flash disk.

Refer to the corresponding sections for details on these utilities.

### 4.1.1 **ASUS CrashFree BIOS 3 Utility**

The ASUS CrashFree BIOS 3 is an auto recovery tool that allows you to restore the BIOS file if it fails or gets corrupted during the updating process. You can update a corrupted BIOS file using a USB flash drive that contains the updated BIOS file.



---

Prepare a USB flash drive containing the updated motherboard BIOS before using this utility.

---

### **Recovering the BIOS from a USB flash drive**

To recover the BIOS from a USB flash drive:

1. Insert the USB flash drive with the original or updated BIOS file to one USB port on the system.
2. The utility will automatically recover the BIOS. It resets the system when the BIOS recovery finished.



---

**DO NOT** shut down or reset the system while recovering the BIOS! Doing so would cause system boot failure!

---



---

The recovered BIOS may not be the latest BIOS version for this motherboard. Visit the ASUS website at [www.asus.com](http://www.asus.com) to download the latest BIOS file.

---

## 4.1.2 ASUS EZ Flash Utility

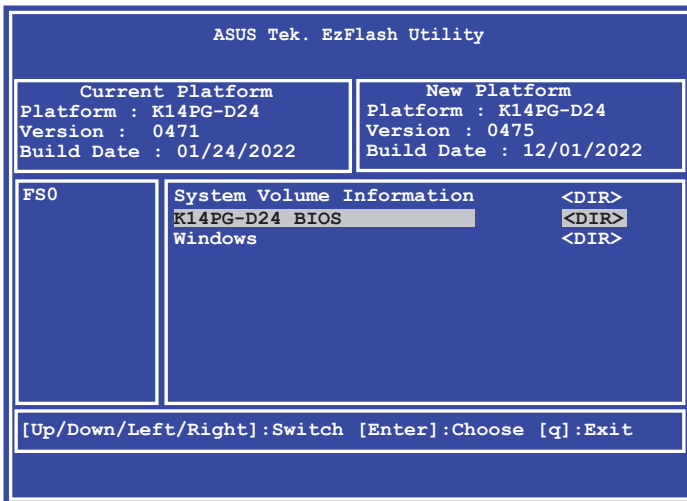
The ASUS EZ Flash Utility feature allows you to update the BIOS without having to use a DOS-based utility.



Before you start using this utility, download the latest BIOS from the ASUS website at [www.asus.com](http://www.asus.com).

To update the BIOS using EZ Flash Utility:

1. Insert the USB flash disk that contains the latest BIOS file into the USB port.
2. Enter the BIOS setup program. Go to the **Tool** menu, then select **Start ASUS EZ Flash**. Press <Enter>.



3. Press the Left/Right arrow keys to switch to the **Drive** field.
4. Press the Up/Down arrow keys to find the USB flash disk that contains the latest BIOS, then press <Enter>.
5. Press Left/Right arrow keys to switch to the **Folder Info** field.
6. Press the Up/Down arrow keys to find the BIOS file, then press <Enter> to perform the BIOS update process. Reboot the system when the update process is done.



- This function can support devices such as a USB flash disk with FAT 32/16 format and single partition only.
- DO NOT shut down or reset the system while updating the BIOS to prevent system boot failure!



Ensure to load the BIOS default settings to ensure system compatibility and stability. Press <F5> and select **Yes** to load the BIOS default settings.

## 4.2 BIOS setup program

This motherboard supports a programmable firmware chip that you can update using the provided utility described in the **Managing and updating your BIOS** section.

Use the BIOS Setup program when you are installing a motherboard, reconfiguring your system, or prompted to “Run Setup.” This section explains how to configure your system using this utility.

Even if you are not prompted to use the Setup program, you can change the configuration of your computer in the future. For example, you can enable the security password feature or change the power management settings. This requires you to reconfigure your system using the BIOS Setup program so that the computer can recognize these changes and record them in the CMOS RAM of the firmware chip.

The firmware chip on the motherboard stores the Setup utility. When you start up the computer, the system provides you with the opportunity to run this program. Press <Del> during the Power-On Self-Test (POST) to enter the Setup utility; otherwise, POST continues with its test routines.

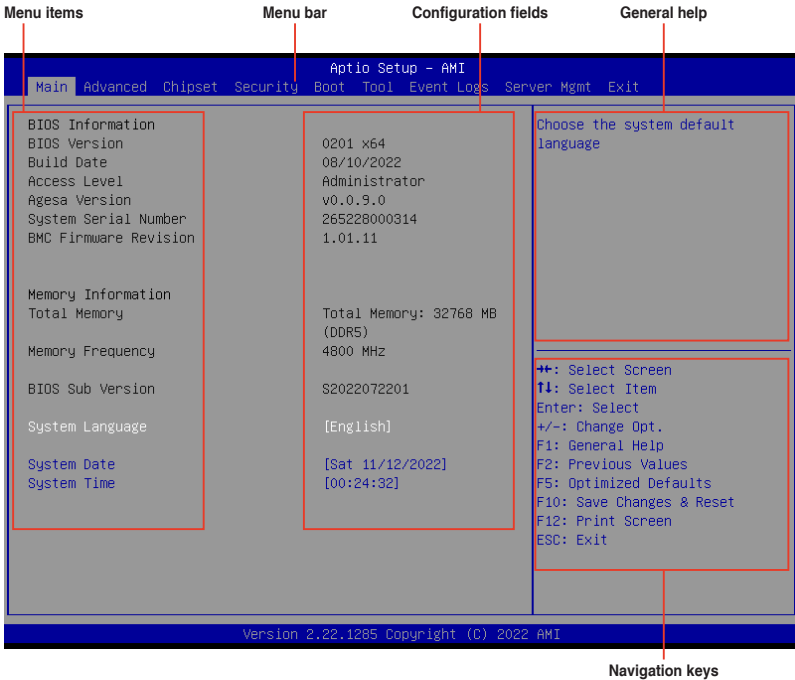
If you wish to enter Setup after POST, restart the system by pressing <Ctrl>+<Alt>+<Delete>, or by pressing the reset button on the system chassis. You can also restart by turning the system off and then back on. Do this last option only if the first two failed.

The Setup program is designed to make it as easy to use as possible. Being a menu-driven program, it lets you scroll through the various sub-menus and make your selections from the available options using the navigation keys.



- 
- The default BIOS settings for this motherboard apply for most conditions to ensure optimum performance. If the system becomes unstable after changing any BIOS settings, load the default settings to ensure system compatibility and stability. Press <F5> and select **Yes** to load the BIOS default settings.
  - The BIOS setup screens shown in this section are for reference purposes only, and may not exactly match what you see on your screen.
  - Visit the ASUS website ([www.asus.com](http://www.asus.com)) to download the latest BIOS file for this motherboard.
-

## 4.2.1 BIOS menu screen



Navigation keys

## 4.2.2 Menu bar

The menu bar on top of the screen has the following main items:

- Main** For changing the basic system configuration
- Advanced** For changing the advanced system settings
- Chipset** For changing the chipset settings
- Security** For changing the security settings
- Boot** For changing the system boot configuration
- Tool** For configuring options for special functions
- Event Logs** For changing the event log settings
- Server Mgmt** For changing the Server Mgmt settings
- Exit** For selecting the exit options

To select an item on the menu bar, press the right or left arrow key on the keyboard until the desired item is highlighted.

## Menu items

The highlighted item on the menu bar displays the specific items for that menu. For example, selecting **Main** shows the Main menu items.

The other items (such as **Advanced**) on the menu bar have their respective menu items.

## Submenu items

A solid triangle before each item on any menu screen means that the item has a submenu. To display the submenu, select the item then press <Enter>.

## Navigation keys

At the bottom right corner of a menu screen are the navigation keys for the BIOS setup program. Use the navigation keys to select items in the menu and change the settings.

## General help

At the top right corner of the menu screen is a brief description of the selected item.

## Configuration fields

These fields show the values for the menu items. If an item is user-configurable, you can change the value of the field opposite the item. You cannot select an item that is not user-configurable.

A configurable field is enclosed in brackets, and is highlighted when selected. To change the value of a field, select it and press <Enter> to display a list of options.

## Pop-up window

Select a menu item and press <Enter> to display a pop-up window with the configuration options for that item.

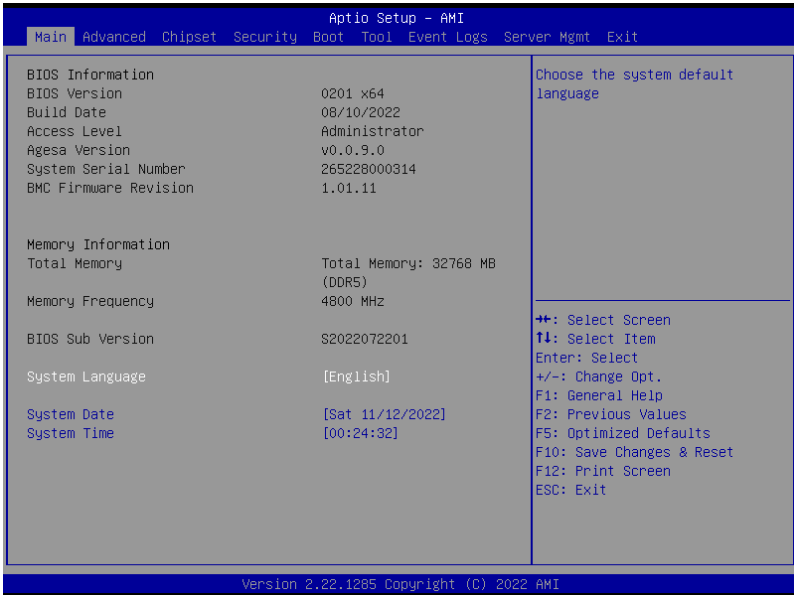
## Scroll bar

A scroll bar appears on the right side of a menu screen when there are items that do not fit on the screen. Press the Up/Down arrow keys or <Page Up> / <Page Down> keys to display the other items on the screen.



## 4.3 Main menu

When you enter the BIOS Setup program, the Main menu screen appears. The Main menu provides you an overview of the basic system information, and allows you to set the system date, time, and language settings.



### System Language

Allows you to set the system language.

### System Date [MM/DD/YYYY]

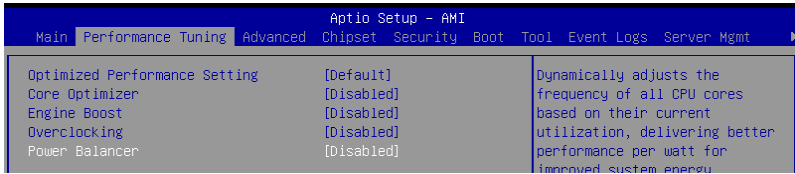
Allows you to set the system date.

### System Time [HH:MM:SS]

Allows you to set the system time.

## 4.4 Performance Tuning menu

The Performance Tuning menu items allow you to change performance related settings for different scenarios.



### Optimized Performance Setting [Default]

Allows you to select performance settings for different scenarios.

[Default] Default settings.

[By Benchmark] Optimize for different kinds of benchmarks. Select this option, then select a benchmark type from the >> list.

[By Workload] Optimize for different kinds of workloads. Select this option, then select a workload type from the >> list.



---

This function will reset some BIOS settings that you have changed back to their default values. Please check your BIOS settings again.

---



---

The following item appears only when **Power Balancer** is set to **[Disabled]**, or if Optimized Performance Setting is set to **[Default]** or **[By Benchmark]**.

---

### Core Optimizer [Disabled]

Allows you to keep the processor operating at the turbo highest frequency for the maximum performance.

Configuration options: [Disabled] [Auto] [Manual]



---

The following item appears only when you set **Core Optimizer** to **[Manual]**.

---

### CPU Max frequency [XXXX]

The default value for this option will be the maximum supported frequency of the CPU installed and may vary between different CPUs.



---

The following item appears only when **Optimized Performance Setting** is set to **[Default]** or **[By Benchmark]**.

---

### Engine Boost [Disabled]

Enable this item to boost the CPU's frequency. Recommended operation at an ambient temperature of 25°C or below for optimized performance.

Configuration options: [Disabled] [Normal] [Aggressive]



---

Operate with an ambient temperature of 25°C or lower for optimized performance.

---

## Overclocking [Disabled]

Enable this item to increase the CPU's clock. Please use an external PCIe storage controller for your hard drives when enabling this feature.

Configuration options: [Disabled] [Enabled]



---

Please note that overclocking might cause component damage or system crashes, which may reduce the lifespan of the system and the CPU. Use this tool at your own risk.

---



---

The following item appears only when **Core Optimizer** is set to **[Disabled]**, or if **Optimized Performance Setting** is set to **[Default]** or **[By Benchmark]**.

---

## Power Balancer [Disabled]

Allows you to dynamically adjust the frequency of all CPU cores based on their current utilization, delivering better performance per watt for improved system energy efficiency.

Configuration options: [Disabled] [Enabled by ACC]



---

When setting **Power Balancer** to **[Enabled by ACC]**, make sure that you have the latest ASUS Control Center software installed to support Power Balancer. Please see below for recommended software versions:

- **ACC**: 1.4.3.5 version or above.

---



---

The following item appears only when **Power Balancer** is set to **[Enabled by ACC]**.

---

### **Policy [Auto]**

Configuration options: [Auto] [Manual]

---



---

The following item appears only when set **Policy** is set to **[Manual]**.

---

### **CPU Max frequency [XXXX]**

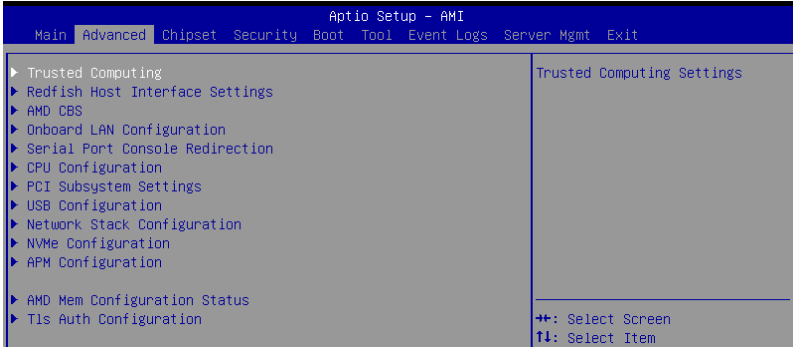
The default value for this option will be the maximum supported frequency of the CPU installed and may vary between different CPUs.

## 4.5 Advanced menu

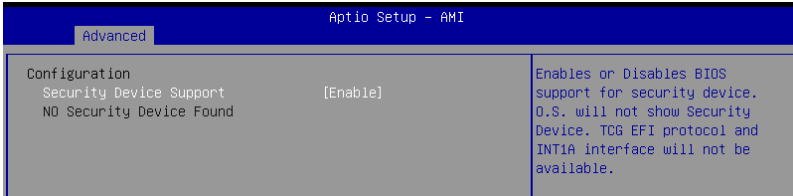
The Advanced menu items allow you to change the settings for the CPU and other system devices.



Take caution when changing the settings of the Advanced menu items. Incorrect field values can cause the system to malfunction.



### 4.5.1 Trusted Computing

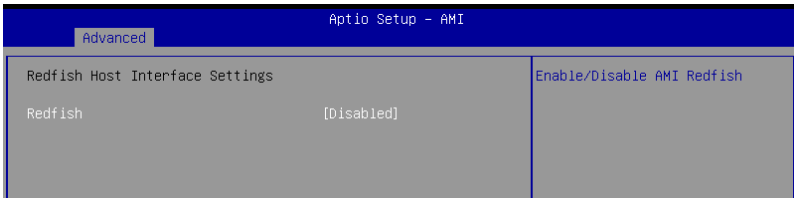


#### Security Device Support [Enabled]

Allows you to enable or disable the BIOS support for security device.

Configuration options: [Disabled] [Enabled]

## 4.5.2 Redfish Host Interface Settings



### Redfish [Disabled]

Allows you to enable or disable AMI Redfish.  
Configuration options: [Disabled] [Enabled]



The following items appear only when **Redfish** is set to **[Enabled]**.

#### **Authentication Mode [Basic Authentication]**

Configuration options: [Basic Authentication] [Session Authentication]

#### **IP Address**

Allows you to set the IP address

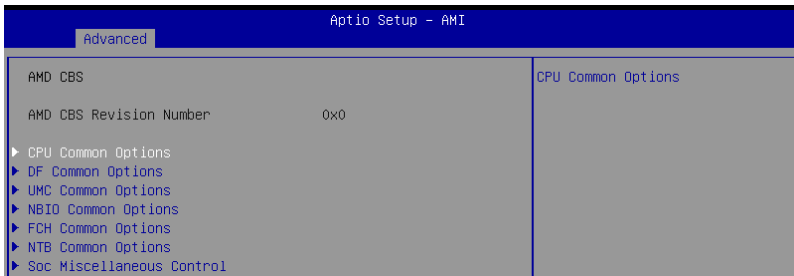
#### **IP Mask Address**

Allows you to set the IP mask address

#### **IP Port**

Allows you to set the IP port

## 4.5.3 AMD CBS



## CPU Common Options

### Performance

Allows you to configure performance options.

#### REP-MOV/STOS Streaming [Enabled]

Allows you to enable or disable the use of non-caching streaming stores for large sizes.

Configuration options: [Disabled] [Enabled]

### Prefetcher Settings

Allows you to configure prefetcher options.

### Core Watchdog

Allows you to configure core watchdog options.

#### RedirectForReturnDis [Auto]

Allows you to set RedirectForReturnDis to 0, 1, or Auto as a workaround for GCC/C000005 issue for XV Core on CZ A0.

Configuration options: [Auto] [1] [0]

#### Platform First Error Handling [Auto]

Allows you to enable or disable PFEH, cloak individual banks, and mask deferred error interrupts from each bank.

Configuration options: [Disabled] [Enabled] [Auto]

#### Core Performance Boost [Auto]

Configuration options: [Disabled] [Auto]

#### Global C-State Control [Auto]

Configuration options: [Disabled] [Enabled] [Auto]

#### Power Supply Idle Control [Auto]

Configuration options: [Low Current Idle] [Typical Current Idle] [Auto]

#### SEV-ES ASID Space Limit Control [Auto]

Configuration options: [Auto] [Manual]

#### SEV-ES ASID Space Limit [1]

Allows you to set the SEV-ES ASID Space Limit.

#### SEV Control [Enabled]

Configuration options: [Disabled] [Enabled]

#### Streaming Stores Control [Auto]

Configuration options: [Disabled] [Enabled] [Auto]

#### Local APIC Mode [Auto]

Configuration options: [Compatibility] [xAPIC] [x2APIC] [Auto]

#### ACPI \_CST C1 Declaration [Auto]

Configuration options: [Disabled] [Enabled] [Auto]

**MCA Error Threshold Enable [Auto]**

Configuration options: [False] [True] [Auto]

**MCA FruText [True]**

Configuration options: [False] [True]

**SMU and PSP Debug Mode [Auto]**

If this option is enabled, uncorrected errors detected by the PSP FW or SMU FW will hang and not reset the system instead of causing a cold reset.

Configuration options: [Disabled] [Enabled] [Auto]

**PPIN Opt-in [Auto]**

Configuration options: [Disabled] [Enabled] [Auto]

**SNP Memory (RMP Table) Coverage [Auto]**

Configuration options: [Disabled] [Enabled] [Custom] [Auto]



---

The following item appears only when **SNP Memory (RMP Table) Coverage** is set to **[Custom]**.

---

***Amount of Memory to Cover [0]***

Allows you to set the amount of system memory (MB) to be covered in hex.

**SMEE [Auto]**

Configuration options: [Disabled] [Enabled] [Auto]

**Action on BIST Failure [Auto]**

Allows you to configure what action is taken when a CCD BIST failure is detected.

Configuration options: [Do nothing] [Down-CCD] [Auto]

**Enhanced Short REP MOVSB/STOSB (ESRM) [Auto]**

Configuration options: [Disabled] [Enabled] [Auto]

**Log Transparent Errors [Auto]**

Configuration options: [Disabled] [Enabled] [Auto]

**AVX512 [Auto]**

Configuration options: [Disabled] [Enabled] [Auto]

**MONITOR and MWAIT Disable [Auto]**

When this option is enabled, MONITOR, MWAIT, MONITORX, and MWAITX opcodes become invalid.

Configuration options: [Disabled] [Enabled] [Auto]

**Small Hammer Configuration [Auto]**

Configuration options: [Disabled] [Enabled] [Auto]

**Corrector Branch Predictor [Disabled]**

Configuration options: [Disabled] [Enabled]

**CPU Speculative Store Modes [Auto]**

Configuration options: [Balanced] [More Speculative] [Less Speculative] [Auto]

### **PAUSE Delay [Auto]**

Configuration options: [Auto] [Disabled] [16 cycles] [32 cycles] [64 cycles] [128 cycles]

## **DF Common Options**

### **Memory Addressing**

Allows you to configure memory addressing options.

### **ACPI**

Allows you to configure ACPI options.

### **Link**

Allows you to configure Link options.

### **SDCI**

Allows you to configure SDCI options.

### **DF Watchdog Timer Interval [Auto]**

Configuration options: [Auto] [41ms] [166ms] [334ms] [669ms] [1.34 seconds] [2.68 seconds] [5.36 seconds]

### **Disable DF to external IP Sync Flood Propagation [Auto]**

Configuration options: [Sync flood disabled] [Sync flood enabled] [Auto]

### **Sync Flood Propagation to DF Components [Auto]**

Configuration options: [Sync flood disabled] [Sync flood enabled] [Auto]

### **Freeze DF Module Queues on Error [Auto]**

Configuration options: [Disabled] [Enabled] [Auto]

### **CC6 Memory Region Encryption [Auto]**

Configuration options: [Disabled] [Enabled] [Auto]

### **CC6 B/W Balance Throttle Level [Auto]**

Configuration options: [Auto] [Level 0] [Level 1] [Level 2] [Level 3] [Level 4]

## **UMC Common Options**

### **DDR Addressing Options**

Allows you to configure DDR addressing options.

### **DDR Controller Configuration**

Allows you to configure DDR controller options.

### **DDR MBIST Options**

Allows you to configure DDR MBIST options.

### **DDR RAS**

Allows you to configure DDR RAS options.

### **DDR Bus Configuration**

Allows you to configure DDR Bus options.



### **DDR Timing Configuration**

Allows you to configure DDR Timing options.

### **DDR Training Options**

Allows you to configure DDR Training options.

### **DDR Security**

Allows you to configure DDR Security options.

### **DDR PMIC Configuration**

Allows you to configure DDR PMIC options.

### **DDR Miscellaneous**

Allows you to configure DDR Miscellaneous options.

## **NBIO Common Options**

### **IOMMU [Auto]**

Configuration options: [Disabled] [Enabled] [Auto]

### **DMAr Support [Auto]**

Configuration options: [Disabled] [Enabled] [Auto]

### **DMA Protection [Auto]**

Configuration options: [Disabled] [Enabled] [Auto]

### **DRTM Virtual Device Support [Auto]**

Configuration options: [Disabled] [Enabled] [Auto]

### **DRTM Memory Reservation [Auto]**

Allows you to enable or disable reservation of 128MB memory below Bottom IO for DRTM. This option is required for Secured-Core Server functionality.

Configuration options: [Disabled] [Enabled] [Auto]

### **ACS Enable [Auto]**

Configuration options: [Disabled] [Enabled] [Auto]

### **PCIe ARI Support [Auto]**

Configuration options: [Disabled] [Enabled] [Auto]

### **PCIe ARI Enumeration [Auto]**

Configuration options: [Disabled] [Enabled] [Auto]

### **PCIe Ten Bit Tag Support [Auto]**

Allows you to enable PCIe ten bit tags for supported devices. Support is disabled if this option is enabled.

Configuration options: [Disabled] [Enabled] [Auto]

### **SMU Common Options**

Allows you to configure SMU Common options.

### **NBIO RAS Common Options**

Allows you to configure NBIO RAS Common options.

**Enable AER Cap [Auto]**

Configuration options: [Disabled] [Enabled] [Auto]

**Early Link Speed [Auto]**

Configuration options: [Gen1] [Gen2] [Auto]

**Hot Plug Handling Mode [Auto]**

Configuration options: [OS First] [Firmware First] [System Firmware Intermediary] [Auto]

**Hot Plug Allow FF in Synchronous [Disabled]**

Configuration options: [Disabled] [Enabled]

**Presence Detect Select Mode [Auto]**

Configuration options: [OR] [AND] [Auto]

**Data Link Feature Cap [Auto]**

Configuration options: [Disabled] [Enabled] [Auto]

**CV Test [Auto]**

Allows you to enable or disable support for PCIECV tool. Hardware defaults are preserved if this option is set to Auto.

Configuration options: [Disabled] [Enabled] [Auto]

**SEV-SNP Support [Disabled]**

Configuration options: [Disabled] [Enabled] [Auto]

**Allow Compliance [Auto]**

Allows you to enable or disable PCIe RP entering the polling compliance state.

**SRIS [Auto]**

Configuration options: [Disabled] [Enabled] [Auto]

**Multi Upstream Auto Speed Change [Auto]**

Configuration options: [Disabled] [Enabled] [Auto]

**Multi Auto Speed Change on Last Rate [Auto]**

Configuration options: [Disabled] [Enabled] [Auto]

**PCIe Link Speed Capability [Gen5]**

Configuration options: [Maximum speed] [Gen1] [Gen2] [Gen3] [Gen4] [Gen5] [Auto]

**RTM Margining Support [Auto]**

Configuration options: [Disabled] [Enabled] [Auto]

**Advertise EQ To High Rate Support [Auto]**

Configuration options: [Disabled] [Enabled] [Auto]

**nBif Common Options**

Allows you to configure nBif Common options.

## FCH Common Options

### I3C/I2C Configuration Options

Allows you to configure I3C/I2C options.

### USB Configuration Options

Allows you to configure USB options.

### AC Power Loss Options

Allows you to configure AC power loss options.

### UART Configuration Options

Allows you to configure UART options.

### ESPI Configuration Options

Allows you to configure ESPI options.

### FCH RAS Options

Allows you to configure FCH RAS options.

### Miscellaneous Options

Allows you to configure miscellaneous FCH options.

## NTB Common Options

### Socket-0 P0/Socket-0 P2/Socket-0 G0/Socket-0 G2

#### NTB Enable [Auto]

Configuration options: [Disabled] [Enabled] [Auto]



---

The following items appear only when **NTB Enable** is set to **[Enabled]**.

---

#### ***Start Lane***

Allows you to set the NTB start lane.

#### ***End Lane***

Allows you to set the NTB end lane.

## SOC Miscellaneous Control

### ABL Console Out Control [Auto]

Configuration options: [Disabled] [Enabled] [Auto]



---

The following items appear only when **ABL Console Out Control** is set to **[Enabled]**.

---

#### **ABL Console Out Serial Port [Auto]**

Configuration options: [eSPI UART] [SOC UART0] [SOC UART1] [Auto]

#### **ABL Console Out Serial Port IO [Auto]**

Configuration options: [0x3F8] [0x2F8] [0x3E8] [0x2E8] [Auto]

#### **ABL Basic Console Out Control [Auto]**

Configuration options: [Disabled] [Enabled] [Auto]

#### **ABL PMU Message Control [Auto]**

Allows you to control the number of PMU debug messages.

Configuration options: [Detailed debug messages] [Coarse debug messages] [Stage completion] [Assertion messages] [Firmware completion messages only] [Auto]

#### **ABL Memory Population Message Control [Warning Message]**

Configuration options: [Warning Message] [Fatal Error]

#### **PSP Error Injection Support [False]**

Configuration options: [False] [True]

#### **Firmware Anti-rollback (FAR)**

Allows you to configure Firmware Anti-Rollback (FAR) options.

## Workload Tuning

### **Workload Profile [Auto]**

Allows you to set the workload profile.

Configuration options: [Disabled] [CPU Intensive] [Java Throughput] [Java Latency] [Power Efficiency] [Memory Throughput Intensive] [Storage IO Intensive] [NIC Throughput Intensive] [NIC Latency Sensitive] [Accelerator Throughput] [VMware vSphere Optimized] [Linux KVM Optimized] [Container Optimized] [RDBMS Optimized] [Big Data Analytics Optimized] [IOT Gateway] [HPC Optimized] [OpenStack NFV] [OpenStack for RealTime Kernel] [Auto]

### **Performance Tracing [Auto]**

Configuration options: [Disabled] [Enabled] [Auto]

## CXL Common Options

### **CXL Control [Auto]**

Configuration options: [Disabled] [Enabled] [Auto]

### **CXL SPM [Auto]**

Configuration options: [Disabled] [Enabled] [Auto]

### **CXL ASPM [Auto]**

Configuration options: [Disabled] [Enabled] [Auto]

### **CXL vLSM Power Management**

Allows you to configure vLSM Power Management options.

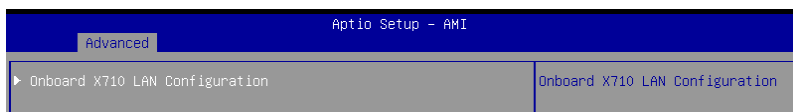
### **CXL Encryption [Disabled]**

Configuration options: [Disabled] [Enabled]

### **Temp Gen5 Advertisement [Auto]**

Configuration options: [Disabled] [Enabled] [Auto]

## **4.5.4 Onboard LAN Configuration**



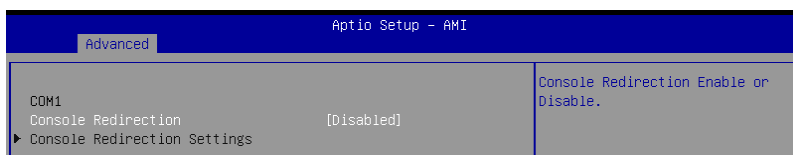
### **Onboard X710 LAN Configuration**

#### **LAN1/LAN2**

#### **LAN Enable [Enabled]**

Configuration options: [Disabled] [Enabled]

## **4.5.5 Serial Port Console Redirection**



### **COM1/COM2**

#### **Console Redirection [Disabled]**

Allows you to enable or disable the console redirection feature.

Configuration options: [Disabled] [Enabled]



The following items appear only when **Console Redirection** is set to **[Enabled]**.

#### **Terminal Type [ANSI]**

Allows you to set the terminal type.

[VT100] ASCII char set.

[VT100Plus] Extends VT100 to support color, function keys, etc.

[VT-UTF8] Uses UTF8 encoding to map Unicode chars onto 1 or more bytes.

[ANSI] Extended ASCII char set.

**Bits per second [115200]**

Selects serial port transmission speed. The speed must be matched on the other side. Long or noisy lines may require lower speeds.

Configuration options: [9600] [19200] [38400] [57600] [115200]

**Data Bits [8]**

Configuration options: [7] [8]

**Parity [None]**

A parity bit can be sent with the data bits to detect some transmission errors. [Mark] and [Space] parity do not allow for error detection.

[None] None

[Even] parity bit is 0 if the num of 1's in the data bits is even

[Odd] parity bit is 0 if num of 1's in the data bits is odd

[Mark] parity bit is always 1

[Space] parity bit is always 0

**Stop Bits [1]**

Stop bits indicate the end of a serial data packet. (A start bit indicates the beginning.) The standard setting is 1 stop bit. Communication with slow devices may require more than 1 stop bit.

Configuration options: [1] [2]

**Flow Control [None]**

Flow control can prevent data loss from buffer overflow. When sending data, if the receiving buffers are full, a "stop" signal can be sent to stop the data flow. Once the buffers are empty, a "start" signal can be sent to re-start the flow. Hardware flow control uses two wires to send start/stop signals.

Configuration options: [None] [Hardware RTS/CTS]

**VT-UTF8 Combo Key Support [Enabled]**

This allows you to enable the VT-UTF8 Combination Key Support for ANSI/VT100 terminals.

Configuration options: [Disabled] [Enabled]

**Recorder Mode [Disabled]**

With this mode enabled only text will be sent. This is to capture Terminal data.

Configuration options: [Disabled] [Enabled]

**Resolution 100x31 [Enabled]**

This allows you to set the number of rows and columns supported on the Legacy OS.

Configuration options: [Disabled] [Enabled]

**Putty Keypad [VT100]**

This allows you to select the FunctionKey and Keypad on Putty.

Configuration options: [VT100] [LINUX] [XTERMR6] [SCO] [ESCN] [VT400]

## Serial Port for Out-of-Band Management/Windows Emergency Management Services (EMS)

### Console Redirection EMS [Disabled]

Allows you to enable or disable the console redirection feature.  
Configuration options: [Disabled] [Enabled]



---

The following items appear only when **Console Redirection EMS** is set to **[Enabled]**.

---

#### Console Redirection Settings

##### Out-of-Band Mgmt Port [COM1]

Microsoft Windows Emergency Management Services (EMS) allow for remote management of a Windows Server OS through a serial port.  
Configuration options: [COM1] [COM2]

##### Terminal Type EMS [VT-UTF8]

Microsoft Windows Emergency Management Services (EMS) allow for remote management of a Windows Server OS through a serial port.  
Configuration options: [VT100] [VT100Plus] [VT-UTF8] [ANSI]

##### Bits per second EMS [115200]

Microsoft Windows Emergency Management Services (EMS) allow for remote management of a Windows Server OS through a serial port.  
Configuration options: [9600] [19200] [57600] [115200]

##### Flow Control EMS [None]

Microsoft Windows Emergency Management Services (EMS) allow for remote management of a Windows Server OS through a serial port.  
Configuration options: [None] [Hardware RTS/CTS] [Software Xon/Xoff]

## 4.5.6 CPU Configuration



### SVM Mode [Enable]

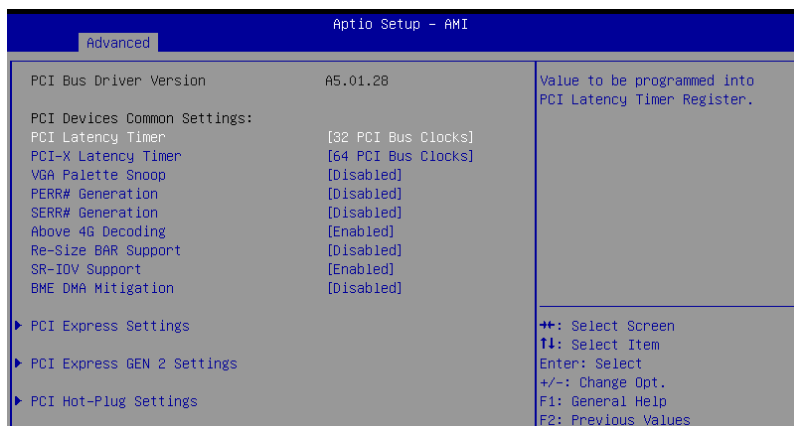
This item allows you enable or disable CPU Virtualization.

Configuration options: [Disabled] [Enable]

### Node Information

This item allows you to view memory information related to the selected node.

## 4.5.7 PCI Subsystem Settings



### PCI Latency Timer [32 PCI Bus Clocks]

Configuration options: [32 PCI Bus Clocks] [64 PCI Bus Clocks] [96 PCI Bus Clocks] [128 PCI Bus Clocks] [160 PCI Bus Clocks] [192 PCI Bus Clocks] [224 PCI Bus Clocks] [248 PCI Bus Clocks]

### PCI-X Latency Timer [64 PCI Bus Clocks]

Configuration options: [32 PCI Bus Clocks] [64 PCI Bus Clocks] [96 PCI Bus Clocks] [128 PCI Bus Clocks] [160 PCI Bus Clocks] [192 PCI Bus Clocks] [224 PCI Bus Clocks] [248 PCI Bus Clocks]



**VGA Palette Snoop [Disabled]**

Configuration options: [Disabled] [Enabled]

**PERR# Generation [Disabled]**

Configuration options: [Disabled] [Enabled]

**SERR# Generation [Disabled]**

Configuration options: [Disabled] [Enabled]

**Above 4G Decoding [Enabled]**

Configuration options: [Disabled] [Enabled]

**Re-Size BAR Support [Disabled]**

Configuration options: [Disabled] [Auto]

**SR-IOV Support [Enabled]**

Configuration options: [Disabled] [Enabled]

**BME DMA Mitigation [Disabled]**

Configuration options: [Disabled] [Enabled]

**PCI Express Settings**

Allows you to configure PCI Express options.

**PCI Express GEN 2 Settings**

Allows you to configure PCI Express GEN 2 options.

**PCI Hot-Plug Settings**

Allows you to configure PCI Hot-Plug options.

## 4.5.8 USB Configuration

Advanced		Aptio Setup - AMI	
USB Configuration		[Enabled]: Enables the Legacy USB support.	
USB Module Version	29	[Auto]: Automatically disables the Legacy USB support if USB devices are not connected.	
USB Controllers: 2 XHCIs		[Disabled]: USB devices are available only for EFI applications.	
USB Devices: 3 Drives, 2 Keyboards, 1 Mouse, 1 Hub			
Legacy USB Support	[Enabled]		
XHCI Hand-off	[Enabled]		
USB Mass Storage Driver Support	[Enabled]		
USB Keyboard and Mouse Simulator	[Enabled]		
USB hardware delays and time-outs:		++: Select Screen	
USB transfer time-out	[20 sec]	↑↓: Select Item	
Device reset time-out	[20 sec]	Enter: Select	
Device power-up delay	[Auto]	+/-: Change Opt.	
Mass Storage Devices:		F1: General Help	
AMI Virtual CDROM 1.00	[Auto]	F2: Previous Values	
AMI Virtual HDisk 1.00	[Auto]	F5: Optimized Defaults	
JetFlashTranscend 4GB 8.07	[Auto]	F10: Save Changes & Reset	
		F12: Print Screen	
		ESC: Exit	

### Legacy USB Support [Enabled]

Configuration options: [Enabled] [Disabled] [Auto]

### XHCI Hand-off [Enabled]

Configuration options: [Enabled] [Disabled]

### USB Mass Storage Driver Support [Enabled]

Configuration options: [Disabled] [Enabled]

### USB Keyboard and Mouse Simulator [Enabled]

Configuration options: [Disabled] [Enabled]

### USB Transfer Time-out [20 sec]

Configuration options: [1 sec] [5 sec] [10 sec] [20 sec]

### Device Reset Time-out [20 sec]

Configuration options: [10 sec] [20 sec] [30 sec] [40 sec]

### Device Power-up Delay [Auto]

Configuration options: [Auto] [Manual]

### Mass Storage Devices

Allows you to select the mass storage device emulation type for devices connected.

Configuration options: [Auto] [Floppy] [Forced FDD] [Hard Disk] [CD-ROM]

## 4.5.9 Network Stack Configuration

Aptio Setup - AMI		
Advanced		
Network Stack	[Enabled]	Enable/Disable UEFI Network Stack
IPv4 PXE Support	[Disabled]	
IPv4 HTTP Support	[Disabled]	
IPv6 PXE Support	[Disabled]	
IPv6 HTTP Support	[Disabled]	
PXE boot wait time	0	
Media detect count	1	

### Network Stack [Enabled]

Configuration options: [Disabled] [Enabled]



The following items appear only when **Network Stack** is set to **[Enabled]**.

#### IPv4 PXE Support [Disabled]

Configuration options: [Disabled] [Enabled]

#### IPv4 HTTP Support [Disabled]

Configuration options: [Disabled] [Enabled]

#### IPv6 PXE Support [Disabled]

Configuration options: [Disabled] [Enabled]

#### IPv6 HTTP Support [Disabled]

Configuration options: [Disabled] [Enabled]

#### PXE boot wait time [0]

Wait time to press ESC key to abort the PXE boot.

#### Media detect count [1]

Wait time (in seconds) to detect media.

## 4.5.10 NVMe Configuration

This page will display the NVMe controller and drive information.

Aptio Setup - AMI	
Advanced	
NVMe Configuration	
No NVMe Device Found	

## 4.5.11 APM Configuration

Allows you to configure the Advance Power Management (APM) settings.

Aptio Setup - AMI		
Advanced		
Restore AC Power Loss	[Last State]	Select AC power state when power is re-applied after a power failure.
Power On By PCI-E	[Disabled]	
Power On By RTC	[Disabled]	

### Restore AC Power Loss [Last State]

When set to [Power Off], the system goes into off state after an AC power loss. When set to [Power On], the system will reboot after an AC power loss. When set to [Last State], the system goes into either off or on state, whatever the system state was before the AC power loss.

Configuration options: [Power On] [Power Off] [Last State]

### Power On By PCI-E [Disabled]

[Disabled] Disables the PCIe devices to generate a wake event.

[Enabled] Enables the PCIe devices to generate a wake event.

### Power On By RTC [Disabled]

[Disabled] Disables RTC to generate a wake event.

[Enabled] When set to [Enabled], the items **RTC Alarm Date (Days)** and **Hour/Minute/Second** will become user-configurable with set values.

## 4.5.12 AMD Mem Configuration Status

The items in this menu display the memory configuration (initialized by ABL) status.

Aptio Setup - AMI		
Advanced		
▶ Socket 0		Socket-specific memory configuration status
▶ Socket 1		
Mbist Test Enable	Disabled, 0xC000	
Mbist Aggressor Enable	Disabled, 0xC000	
Mbist Per Bit Slave Die Report	0x00FF, 0xC000	
Dram Temp Controlled Refresh Enable	Disabled, 0xC001	
User Timing Mode	Disabled, 0x0000	
User Timing Value	Disabled, 0x0000	
Mem Bus Freq Limit	Disabled, 0x0000	
Enable Power Down	Disabled, 0xC000	
Dram Double Refresh Rate	Disabled, 0x0000	

## 4.5.13 T1s Auth

Allows you to configure the Server Certificate Authority (CA).



### Server / Client CA Configuration

#### Enroll Cert

Allows you to enroll a certificate using a certificate file or manually input a certificate GUID.

##### ***Enroll Cert Using File***

Allows you to enroll a certificate using a certificate file. You will be prompted to select a storage device and navigate to the location of the certificate file.

##### ***Cert GUID***

Allows you to enroll a certificate by manually inputting the certificate GUID.

##### ***Commit Changes and Exit***

Exit Server CA configuration after saving the changes.

##### ***Discard Changes and Exit***

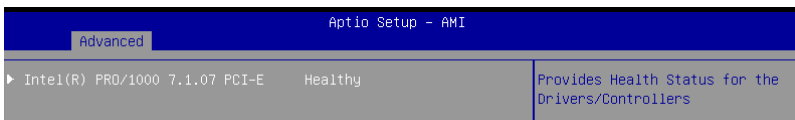
Exit Server CA configuration without saving any changes.

#### Delete Cert

Allows you to delete the certificate.

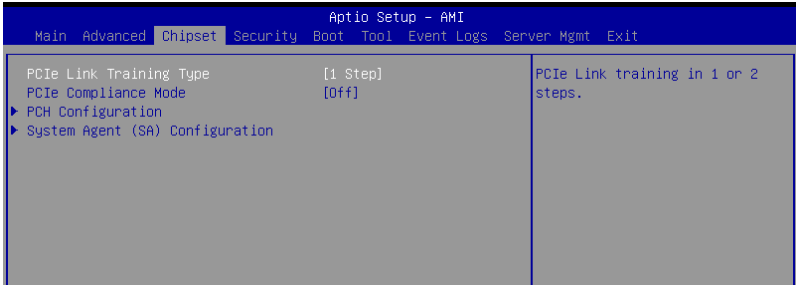
## 4.5.14 Driver Health

This page will display the driver and controller health status.



## 4.6 Chipset menu

The Chipset menu items allow you to change the Chipset settings.



### PCIe Link Training Type [1 Step]

This item allows you to select PCIe Link Training in 1 or 2 steps.

Configuration options: [1 Step] [2 Step]

### PCIe Compliance Mode [Off]

This item allows you to turn the PCIe Compliance Mode on or off.

Configuration options: [Off] [On]

### PCH Configuration

#### SB Debug Configuration

Allows you to configure SB Debug options.

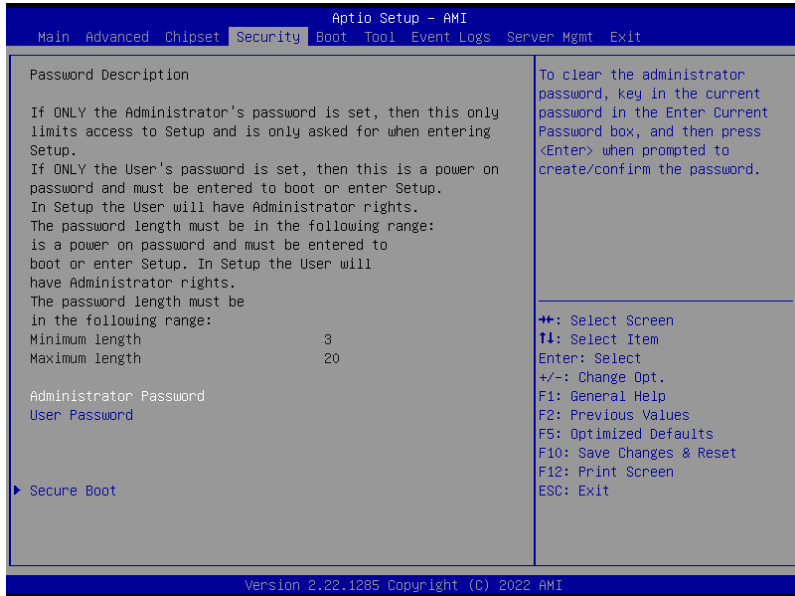
### System Agent (SA) Configuration

#### Socket Information

This item displays the memory information for the selected socket.

## 4.7 Security menu

This menu allows a new password to be created or a current password to be changed. The menu also enables or disables the Secure Boot state and lets the user configure the System Mode state.



### Administrator Password

To set an administrator password:

1. Select the Administrator Password item and press <Enter>.
2. From the Create New Password box, key in a password, then press <Enter>.
3. Confirm the password when prompted.

To change an administrator password:

1. Select the Administrator Password item and press <Enter>.
2. From the Enter Current Password box, key in the current password, then press <Enter>.
3. From the Create New Password box, key in a new password, then press <Enter>.
4. Confirm the password when prompted.



To clear the administrator password, follow the same steps as in changing an administrator password, but press <Enter> when prompted to create/confirm the password.

## User Password

To set a user password:

1. Select the User Password item and press <Enter>.
2. From the Create New Password box, key in a password, then press <Enter>.
3. Confirm the password when prompted.

To change a user password:

1. Select the User Password item and press <Enter>.
2. From the Enter Current Password box, key in the current password, then press <Enter>.
3. From the Create New Password box, key in a new password, then press <Enter>.
4. Confirm the password when prompted.



---

To clear the user password, follow the same steps as in changing a user password, but press <Enter> when prompted to create/confirm the password.

---

## Secure Boot

### Secure Boot [Disabled]

Secure Boot can be enabled if the system is running in User mode with enrolled platform Key (EPK) or if the CSM function is disabled.

Configuration options: [Disabled] [Enabled]

### Secure Boot Mode [Custom]

Allows you to set the Secure Boot selector.

Configuration options: [Standard] [Custom]

### Install Default Secure Boot Keys

Allows you to load the default secure boot keys.

### Clear Secure Boot Keys

Allows you to delete all previously applied secure boot keys.

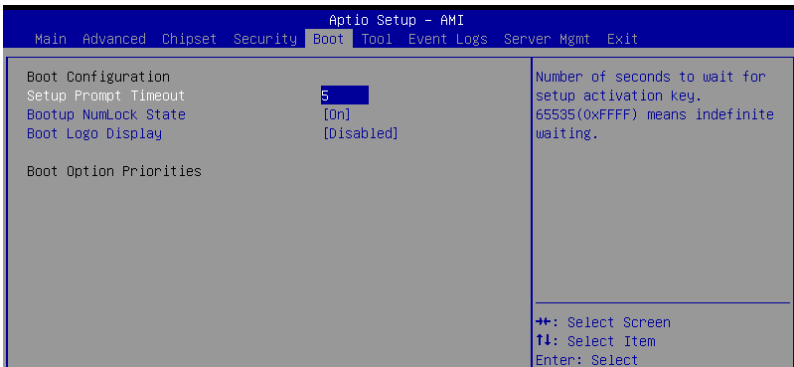
### Key Management

Allows you to configure Key Management options.



## 4.8 Boot menu

The Boot menu items allow you to change the system boot options.



### Setup Prompt Timeout [5]

Allows you to set the number of seconds that the firmware waits before initiating the original default boot selection. 65535(0xFFFF) means indefinite waiting. Use the <+> or <-> to adjust the value.

### Bootup NumLock State [On]

Allows you to select the power-on state for the NumLock.

Configuration options: [On] [Off]

### Boot Logo Display [Disabled]

Allows you to enable or disable Quiet Boot option.

Configuration options: [Disabled] [Enabled]

### Boot Option Priorities

These items specify the boot device priority sequence from the available devices. The number of device items that appears on the screen depends on the number of devices installed in the system.



- To select the boot device during system startup, press <F8> when ASUS Logo appears.
- To access Windows OS in Safe Mode, please press <F8> after POST.

### POST Report [5 sec]

Allows you to set the desired POST Report waiting time from 1 to 10 seconds.

Configuration options: [1 sec] - [10 sec] [Until Press ESC]

### Hard Drive BBS Priorities

These items appear only when you connect a network cable or SATA ODD to the SATA port, and allows you to set the booting order of the Network / SATA devices.

## 4.9 Tool menu

The Tool menu items allow you to configure options for special functions. Select an item and press <Enter> to display the submenu.



### Start ASUS EzFlash

Allows you to run ASUS EZ Flash BIOS ROM Utility. Refer to the ASUS EZ Flash Utility section for details.

### IPMI Hardware Monitor

Allows you to run the IPMI hardware monitor.

### ASUS SMBIOS Viewer

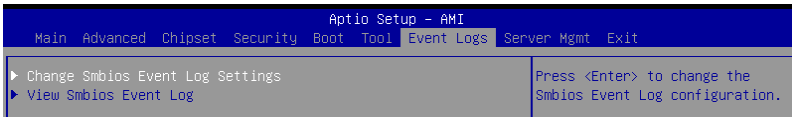
Allows you to run ASUS SMBIOS Viewer.

### ASUS Storage Viewer

Allows you to run ASUS Storage Viewer.

## 4.10 Event Logs menu

The Event Logs menu items allow you to change the event log settings and view the system event logs.



### 4.10.1 Change Smbios Event Log Settings

Press <Enter> to change the Smbios Event Log configuration.



---

All values changed here do not take effect until computer is restarted.

---

#### Smbios Event Log [Enabled]

Change this to enable or disable all features of Smbios Event Logging during boot.

Configuration options: [Disabled] [Enabled]



---

The following item appears only when **Smbios Event Log** is set to [Enabled].

---

#### Erase Event Log [No]

Choose options for erasing Smbios Event Log. Erasing is done prior to any logging activation during reset.

Configuration options: [No] [Yes, Next reset] [Yes, Every reset]

#### When Log is Full [Do Nothing]

Choose options for reactions to a full Smbios Event Log.

Configuration options: [Do Nothing] [Erase Immediately]

#### Log EFI Status Code [Enabled]

This option allows you to enable or disable logging of the EFI Status Codes.

Configuration options: [Disabled] [Enabled]



---

The following item appears only when **Log EFI Status Code** is set to [Enabled].

---

#### **Convert EFI Status Codes to Standard Smbios Type [Disabled]**

This option allows you to enable or disable converting of EFI Status Codes to Standard Smbios Type (Not all may be translated).

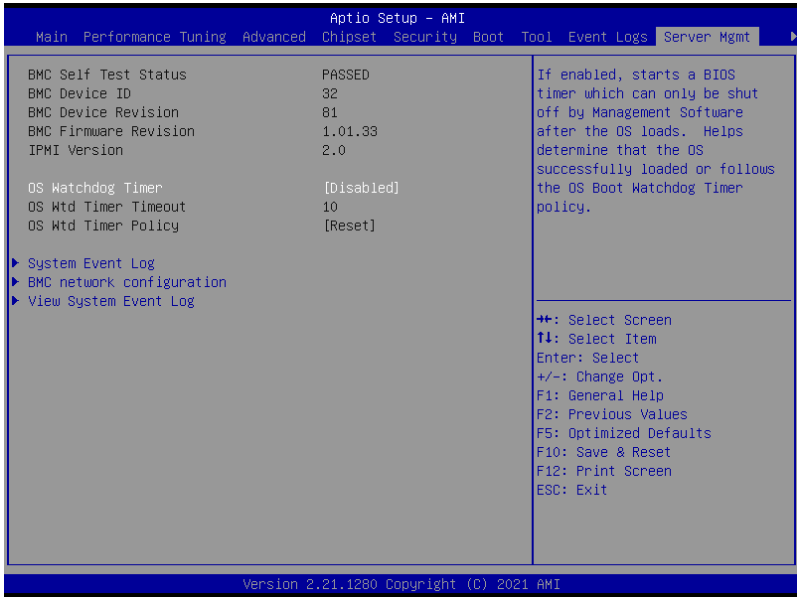
Configuration options: [Disabled] [Enabled]

### 4.10.2 View Smbios Event Log

Press <Enter> to view all smbios event logs.

# 4.11 Server Mgmt menu

The Server Management menu displays the server management status and allows you to change the settings.



## OS Watchdog Timer [Disabled]

This item allows you to start a BIOS timer which can only be shut off by Intel Management Software after the OS loads.

Configuration options: [Enabled] [Disabled]



The following items appear only when **OS Watchdog Timer** is set to **[Enabled]**.

### OS Wtd Timer Timeout [10]

Enter the value between 1 to 30 minutes to configure the length for the OS Boot Watchdog Timer.

### OS Wtd Timer Policy [Reset]

This item allows you to configure how the system should respond if the OS Boot Watch Timer expires.

Configuration options: [Do Nothing] [Reset] [Power Down] [Power Cycle]

### 4.11.1 System Event Log

Allows you to change the SEL event log configuration.

#### Erase SEL [No]

Allows you to choose options for erasing SEL.

Configuration options: [No] [Yes, On next reset] [Yes, On every reset]

### 4.11.2 BMC network configuration

The sub-items in this configuration allow you to configure the BMC network parameters.

#### DM\_LAN/Shared LAN

##### Configuration Address source [Previous State]

Configuration options: [Previous State] [Static] [DynamicBmcDhcp]

##### IPv6 Support [Enabled]

Configuration options: [Enabled] [Disabled]



---

The following items appear only when **IPv6 Support** is set to **[Enabled]**.

---

##### Configuration Address source [Previous State]

Configuration options: [Previous State] [Static] [DynamicBmcDhcp]

##### Configuration Router Lan1/Lan2 Address source [Previous State]

Configuration options: [Previous State] [Static] [DynamicBmcDhcp]

##### VLAN Support [Previous State]

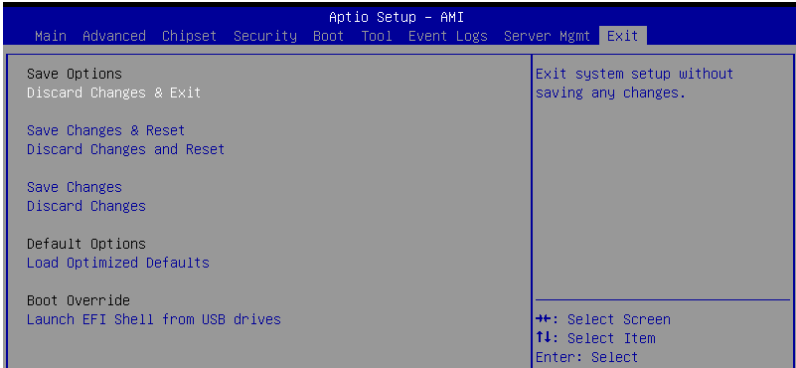
Configuration options: [Previous State] [Enabled] [Disabled]

### 4.11.3 View System Event Log

This item allows you to view the system event log records.

## 4.12 Exit menu

The Exit menu items allow you to save or discard your changes to the BIOS items.



### Discard Changes and Exit

Exit system setup without saving any changes.

### Save Changes and Reset

Reset the system after saving the changes.

### Discard Changes and Reset

Reset system setup without saving any changes.

### Save Changes

Save changes done so far to any of the setup options.

### Discard Changes

Discard changes done so far to any of the setup options.

### Load Optimized Defaults

Restore/load default values for all the setup options.

### Boot Override

These items displays the available devices. The device items that appears on the screen depends on the number of devices installed in the system. Click an item to start booting from the selected device.

### Launch EFI Shell from filesystem device

This item allows you to attempt to launch the EFI Shell application (shellx64.efi) from one of the available filesystem devices.

# Driver Installation

# 5

This chapter provides instructions for installing the necessary drivers for different system components.

## 5.1 Running the Support DVD

The support DVD that is bundled with your motherboard contains drivers, management applications, and utilities that you can install to maximize the features of your motherboard.



---

The contents of the support DVD are subject to change at any time without notice. Visit [www.asus.com](http://www.asus.com) for the latest updates on software and utilities.

---

The main screen of the Support DVD contains the following tabs:

1. Drivers - Shows the available device drivers that the system detects.
2. Utilities - Displays the software applications and utilities that the motherboard supports.
3. Manual - Provides the link to the user guide(s).



---

You need an internet browser installed in your OS to view the User Guide.

---

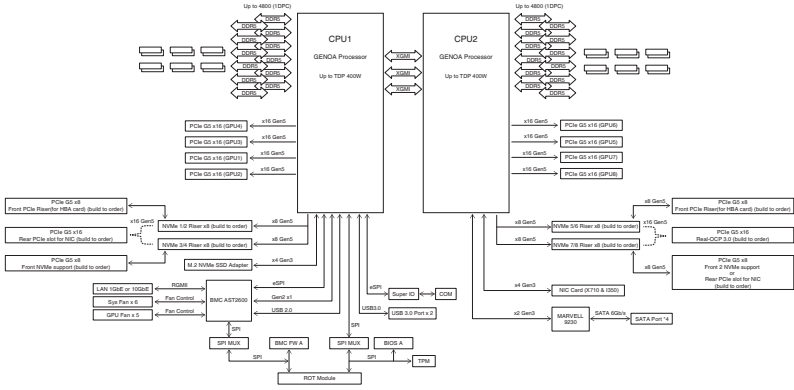
4. Contact - Displays the ASUS contact information, e-mail addresses, and useful links if you need more information or technical support for your motherboard.



# Appendix

This appendix includes additional information that you may refer to when configuring the motherboard.

# Block diagram



## Q-Code table

ACTION	PHASE	POST CODE	TYPE	DESCRIPTION
SEC Start up	Security Phase	0x01	Progress	First post code
		0x02	Progress	Load BSP microcode
		0x03	Progress	Perform early platform Initialization
		0x04	Progress	Set cache as ram for PEI phase
		0x05	Progress	Establish Stack
		0x06	Progress	CPU Early Initialization
PSP Boot	PSP Boot Loader phase (Error Post Codes)	0x00	error	General - Success
		0x01	error	Generic Error Code
		0x02	error	Generic Memory Error
		0x03	error	Buffer Overflow
		0x04	error	Invalid Parameter(s)
		0x05	error	Invalid Data Length
		0x06	error	Data Alignment Error
		0x07	error	Null Pointer Error
		0x08	error	Unsupported Function
		0x09	error	Invalid Service ID
		0x0A	error	Invalid Address
		0x0B	error	Out of Resource Error
		0x0C	error	Timeout
		0x0D	error	Data abort exception
		0x0E	error	Prefetch abort exception
		0x0F	error	Out of Boundary Condition Reached
		0x10	error	Data corruption
		0x11	error	Invalid command
		0x12	error	The package type provided by BR is incorrect
		0x13	error	Failed to retrieve FW header during FW validation
		0x14	error	Key size not supported
		0x15	error	Agesa0 verification error
		0x16	error	SMU FW verification error
		0x17	error	OEM SINGING KEY verification error
		0x18	error	Generic FW Validation error
		0x19	error	RSA operation fail - bootloader
		0x1A	error	CCP Passthrough operation failed - internal status
		0x1B	error	AES operation fail
		0x1C	error	CCP state save failed
		0x1D	error	CCP state restore failed
		0x1E	error	SHA256/384 operation fail - internal status
		0x1F	error	ZLib Decompression operation fail
		0x20	error	HMAC-SHA256/384 operation fail - internal status
		0x21	error	Booted from boot source not recognized by PSP
		0x22	error	PSP directory entry not found
		0x23	error	PSP failed to set the write enable latch
		0x24	error	PSP timed out because spirom took too long
		0x25	error	Cannot find BIOS directory
		0x26	error	SpiRom is not valid
		0x27	error	Slave die has different security state from master
		0x28	error	SMI interface init failure
		0x29	error	SMI interface generic error
0x2A	error	Invalid die ID executes MCM related function		
0x2B	error	Invalid MCM configuration table read from bootrom		
0x2C	error	Valid boot mode wasn't detected		
0x2D	error	NVStorage init failure		
0x2E	error	NVStorage generic error		
0x2F	error	MCM 'error' to indicate slave has more data to send		
0x30	error	MCM error if data size exceeds 32B		
0x31	error	Invalid client id for SVC MCM call		
0x32	error	MCM slave status register contains bad bits		
0x33	error	MCM call was made in a single die environment		
0x34	error	PSP secure mapped to invalid segment (should be 0x400_0000)		
0x35	error	No physical x86 cores were found on die		
0x36	error	Insufficient space for secure OS (range of free SRAM to SVC stack base)		
0x37	error	SYSHUB mapping memory target type is not supported		
0x38	error	Attempt to unmap permanently mapped TLB to PSP secure region		
0x39	error	Unable to map an SMN address to AXI space		
0x3A	error	Unable to map a SYSHUB address to AXI space		

(continued on the next page)

ACTION	PHASE	POST CODE	TYPE	DESCRIPTION
PSP Boot	PSP Boot Loader phase (Error Post Codes)	0x3B	error	The count of CCXs or cores provided by bootrom is not consistent
		0x3C	error	Uncompressed image size doesn't match value in compressed header
		0x3D	error	Compressed option used in case where not supported
		0x3E	error	Fuse info on all dies don't match
		0x3F	error	PSP sent message to SMU; SMU reported an error
		0x40	error	Function RunPostX86ReleaseUnitTests failed in memcmp()
		0x41	error	Interface between PSP to SMU not available.
		0x42	error	Timer wait parameter too large
		0x43	error	Test harness module reported an error
		0x44	error	x86 wrote C2PMSG_0 interrupting PSP, but the command has an invalid format
		0x45	error	Failed to read from SPI the Bios Directory or Bios Combo Directory
		0x46	error	Failed to find FW entry in SPL Table
		0x47	error	Failed to read the combo bios header
		0x48	error	SPL version mismatch
		0x49	error	Error in Validate and Loading AGESA APOB SVC call
		0x4A	error	Correct fuse bits for DIAG_BL loading not set
		0x4B	error	The UmcProgramKeys() function was not called by AGESA
		0x4C	error	Unconditional Unlock based on serial numbers failure
		0x4D	error	Syshub register programming mismatch during readback
		0x4E	error	Family ID in MP0_SFUSE_SEC[7:3] not correct
		0x4F	error	An operation was invoked that can only be performed by the GM
		0x50	error	Failed to acquire host controller semaphore to claim ownership of SMB
		0x51	error	Timed out waiting for host to complete pending transactions
		0x52	error	Timed out waiting for slave to complete pending transactions
		0x53	error	Unable to kill current transaction on host, to force idle
		0x54	error	One of: Illegal command, Unclaimed cycle, or Host time out
		0x55	error	An smbus transaction collision detected, operation restarted
		0x56	error	Transaction failed to be started or processed by host, or not completed
		0x57	error	An unsolicited smbus interrupt was received
		0x58	error	An attempt to send an unsupported PSP-SMU message was made
		0x59	error	An error/data corruption detected on response from SMU for sent msg
		0x5A	error	MCM Steady-state unit test failed
		0x5B	error	S3 Enter failed
		0x5C	error	AGESA BL did not set PSP SMU reserved addresses via SVC call
		0x5D	error	Reserved PSP/SMU memory region is invalid
		0x5E	error	CcxSecBisiEn not set in fuse RAM
		0x5F	error	RECEIVED an unexpected result
		0x60	error	VMG Storage Init failed
		0x61	error	Failure in mbedTLS user app
		0x62	error	An error occurred whilst attempting to SMN map a fuse register
		0x63	error	Fuse burn sequence/operation failed due to internal SOC error
		0x64	error	Fuse sense operation timed out
		0x65	error	Fuse burn sequence/operation timed out waiting for burn done
		0x66	error	The PMU FW Public key certificate loading or authentication fails
		0x67	error	This PSP FW was revoked
		0x68	error	The platform model/vendor id fuse is not matching the BIOS public key token
		0x69	error	The BIOS OEM public key of the BIOS was revoked for this platform
0x6A	error	PSP level 2 directory not match expected value.		
0x6B	error	BIOS level 2 directory not match expected value.		
0x6C	error	Reset image not found		
0x6D	error	Generic error indicating the CCP HAL initialization failed		
0x6E	error	Failure to copy NVRAM to DRAM.		
0x6F	error	Invalid key usage flag		
0x70	error	Unexpected fuse set		
0x71	error	RSMU signaled a security violation		
0x72	error	Error programming the WAFL PCS registers		
0x73	error	Error setting wafl PCS threshold value		
0x74	error	Error loading OEM trustlets		
0x75	error	Recovery mode across all dies is not sync'd		
0x76	error	Uncorrectable WAFL error detected		
0x77	error	Fatal MP1 error detected		
0x78	error	Bootloader failed to find OEM signature		
0x79	error	Error copying BIOS to DRAM		
0x7A	error	Error validating BIOS image signature		
0x7B	error	OEM Key validation failed		
0x7C	error	Platform Vendor ID and/or Model ID binding violation		

(continued on the next page)

ACTION	PHASE	POST CODE	TYPE	DESCRIPTION
PSP Boot	PSP Boot Loader phase (Status Post Codes)	0x7D	error	Bootloader detects BIOS request boot from SPI-ROM, which is unsupported for PSB.
		0x7E	error	Requested fuse is already blown, reblow will cause ASIC malfunction
		0x7F	error	Error with actual fusing operation
		0x80	error	(Local Master PSP on P1 socket) Error reading fuse info
		0x81	error	(Local Master PSP on P1 socket) Platform Vendor ID and/or Model ID binding violation
		0x82	error	(Local Master PSP on P1 socket) Requested fuse is already blown, reblow will cause ASIC malfunction
		0x83	error	(Local Master PSP on P1 socket) Error with actual fusing operation
		0x84	error	SEV FW Rollback attempt is detected
		0x85	error	SEV download FW command fail to broadcast and clear the IsInSRAM field on slave dies
		0x86	error	Agesa error injection failure
		0x87	error	Uncorrectable TWIX error detected
		0x88	error	Error programming the TWIX PCS registers
		0x89	error	Error setting TWIX PCS threshold value
		0x8A	error	SW CCP queue is full, cannot add more entries
		0x8B	error	CCP command description syntax error detected from input
		0x8C	error	Return value stating that the command has not yet be scheduled
		0x8D	error	The command is scheduled and being worked on
		0x8E	error	The DXIO PHY SRAM Public key certificate loading or authentication fails
		0x8F	error	TPM binary size exceeds limit allocated in Private DRAM, need to increase the limit
		0x90	error	The TWIX link for a particular CCD is not trained Fatal error
		0x91	error	Security check failed (not all dies are in same security state)
		0x92	error	FW type mismatch between the requested FW type and the FW type embedded in the FW binary header
		0x93	error	SVC call input parameter address violation
		0x94	error	Firmware Compatibility Level mismatch
		0x95	error	Bad status returned by I2CKnollCheck
		0x96	error	NACK to general call (no device on Knoll I2C bus)
		0x97	error	Null pointer passed to I2CKnollCheck
		0x98	error	Invalid device-ID found during Knoll authentication
		0x99	error	Error during Knoll/Prom key derivation
		0x9A	error	Null pointer passed to Crypto function
		0x9B	error	Error in checksum from wrapped Knoll/Prom keys
		0x9C	error	Knoll returned an invalid response to a command
		0x9D	error	Bootloader failed in Knoll Send Command function
		0x9E	error	No Knoll device found by verifying MAC
		0x9F	error	The maximum allowable error post code
		0xA0	error	Bootloader successfully entered C Main
		0xA1	error	Master initialized C2P / slave waited for master to init C2P
		0xA2	error	HMAC key successfully derived
		0xA3	error	Master got Boot Mode and sent boot mode to all slaves
		0xA4	error	SpiRom successfully initialized
		0xA5	error	BIOS Directory successfully read from SPI to SRAM
		0xA6	error	Early unlock check
		0xA7	error	Inline Aes key successfully derived
		0xA8	error	Inline-AES key programming is done
		0xA9	error	Inline-AES key wrapper derivation is done
		0xAA	error	Bootloader successfully loaded HW IP configuration values
		0xAB	error	Bootloader successfully programmed MBAT table
		0xAC	error	Bootloader successfully loaded SMU FW
		0xAD	error	Progress code is available
		0xAE	error	User mode test Uapp completed successfully
		0xAF	error	Bootloader loaded Agesa0 from SpiRom
		0xB0	error	AGESA phase has completed
		0xB1	error	RunPostDramTrainingTests() completed successfully
		0xB2	error	SMU FW Successfully loaded to SMU Secure DRAM
0xB3	error	Sent all required boot time messages to SMU		
0xB4	error	Validated and ran Security Gasket binary		
0xB5	error	UMC Keys generated and programmed		
0xB6	error	Inline AES key wrapper stored in DRAM		
0xB7	error	Completed FW Validation step		
0xB8	error	Completed FW Validation step		
0xB9	error	BIOS copy from SPI to DRAM complete		
0xBA	error	Completed FW Validation step		

(continued on the next page)

ACTION	PHASE	POST CODE	TYPE	DESCRIPTION
PSP Boot	PSP Boot Loader phase (Status Post Codes)	0xBB	error	BIOS load process fully complete
		0xBC	error	Bootloader successfully release x86
		0xBD	error	Early Secure Debug completed
		0xBE	error	GetFWVersion command received from BIOS is completed
		0xBF	error	SMInfo command received from BIOS is completed
		0xC0	error	Successfully entered WarmBootResume()
		0xC1	error	Successfully copied SecureOS image to SRAM
		0xC2	error	Successfully copied trustlets to PSP Secure Memory
		0xC3	error	About to jump to Secure OS (SBL about to copy and jump)
		0xC4	error	Successfully restored CCP and UMC state on S3 resume
		0xC5	error	PSP SRAM HMAC validated by Mini BL
		0xC6	error	About to jump to <t-base in Mini BL
		0xC7	error	VMG ECDH unit test started
		0xC8	error	VMG ECDH unit test passed
		0xC9	error	VMG ECC CDH primitive unit test started
		0xCA	error	VMG ECC CDH primitive unit test passed
		0xCB	error	VMG SP800-108 KDF-CTR HMAC unit test started
		0xCC	error	VMG SP800-108 KDF-CTR HMAC unit test passed
		0xCD	error	VMG LAUNCH_* test started
		0xCE	error	VMG LAUNCH_* test passed
		0xCF	error	MP1 has been taken out of reset, and executing SMUFW
		0xD0	error	PSP and SMU Reserved Addresses correct
		0xD1	error	Reached Naples steady-state WFI loop
		0xD2	error	Knoll device successfully initialized
		0xD3	error	32-byte RandOut successfully returned from Knoll
		0xD4	error	32-byte MAC successfully received from Knoll.
		0xD5	error	Knoll device verified successfully
		0xD6	error	CNLI Keys generated and programmed
		0xD7	error	Enter recovery mode due to trustlet validation fail.
		0xD8	error	Enter recovery mode due to OS validation fail.
		0xD9	error	Enter recovery mode due to OEM public key not found.
		0xDA	error	Enter recovery mode with header corruption
		0xDB	error	We should not treat this error as blocking
		0xDC	error	When same fw image type is already loaded in SRAM
		0xDD	error	0xE2 progress codes are available
		0xE0	error	Unlock return
		0xE2	error	Token expiration reset triggered
0xE3	error	Completed DXIO PHY SRAM FW key Validation step		
0xE4	error	MP1 firmware load to SRAM success		
0xE5	error	Bootloader read the MP1 SRAM successfully		
0xE6	error	Bootloader successfully reset MP1		
0xE7	error	DF init successfully done (in absence of AGESA)		
0xE8	error	UMC init successfully done (in absence of AGESA)		
0xE9	error	LX6 Boot ROM code ready		
0xEA	error	Bootloader successfully asserted LX6 reset		
0xEB	error	LX6 load to SRAM success		
0xEC	error	Bootloader successfully set LX6 reset vector to SRAM		
0xED	error	Bootloader successfully de-asserted LX6 reset		
0xEE	error	LX6 firmware is running and ready		
0xEF	error	Loading of S3 image done successfully		
0xF0	error	Bootloader successfully verify signed image using 4K/2K key		
0xF1	error	Bootloader identified as running on SP32P or multi-socket boot		
0xF2	error	Security Policy check successful (only in secure boot)		
0xF3	error	Bootloader successfully loaded SS3		
0xF4	error	Bootloader successfully load ITPM Driver		
0xF5	error	Bootloader successfully loaded sys_drv		
0xF6	error	Bootloader successfully loaded secure OS		
0xF7	error	Bootloader about to transfer control to secureOS		
0xFF	error	Bootloader sequence finished		
Quick VGA	PEI(Pre-EFI Initialization) phase	0x10	Progress	PEI Core Entry
		0x11	Progress	PEI cache as ram CPU initial
		0x15	Progress	NB Initialization before installed memory
		0x19	Progress	SB Initialization before installed memory

(continued on the next page)

ACTION	PHASE	POST CODE	TYPE	DESCRIPTION	
Quick VGA	DXE(Driver Execution Environment) phase	0x32	Progress	CPU POST-Memory Initialization	
		0x33	Progress	CPU Cache Initialization	
		0x34	Progress	Application Processor(s) (AP) Initialization	
		0x35	Progress	BSP Selection	
		0x36	Progress	CPU Initialization	
		0x37	Progress	Pre-memory NB Initialization	
		0x3B	Progress	Pre-memory SB Initialization	
		0x4F	Progress	DXE Initial Program Load(IPL)	
		0x60	Progress	DXE Core Started	
		0x61	Progress	DXE NVRAM Initialization	
		0x62	Progress	SB run-time Initialization	
		0x63	Progress	CPU DXE Initialization	
		0x68	Progress	PCI HB Initialization	
		0x69	Progress	NB DXE Initialization	
		0x6A	Progress	NB DXE SMM Initialization	
		0x70	Progress	SB DXE Initialization	
		0x71	Progress	SB DXE SMM Initialization	
		0x72	Progress	SB DEVICES Initialization	
		0x78	Progress	ACPI Module Initialization	
		0xD0	Progress	CPU PM Structure Initialization	
Normal boot	BDS(Boot Device Selection) phase	0x90	Progress	BDS started	
		0x91	Progress	Connect device event	
		0x92	Progress	PCI Bus Enumeration	
		0x93	Progress	PCI Bus Enumeration	
		0x94	Progress	PCI Bus Enumeration	
		0x95	Progress	PCI Bus Enumeration	
		0x96	Progress	PCI Bus Enumeration	
		0x97	Progress	Console output connect event	
		0x98	Progress	Console input connect event	
		0x99	Progress	AMI Super IO start	
		0x9A	Progress	AMI USB Driver Initialization	
		0x9B	Progress	AMI USB Driver Initialization	
		0x9C	Progress	AMI USB Driver Initialization	
		0x9D	Progress	AMI USB Driver Initialization	
		0xb3	Progress	Reset system	
		0xb4	Progress	USB hotplug	
		0xb6	Progress	NVRAM clean up	
		0xb7	Progress	NVRAM configuration reset	
		0xA0	Progress	IDE, AHCI Initialization	
		0xA1	Progress	IDE, AHCI Initialization	
		0xA2	Progress	IDE, AHCI Initialization	
		0xA3	Progress	IDE, AHCI Initialization	
		0x00-0xFF	Progress	Wait BMC ready	
		0xA8	Progress	BIOS Setup Utility password verify	
		0xA9	Progress	BIOS Setup Utility start	
		0xAB	Progress	BIOS Setup Utility input wait	
		0xAD	Progress	Ready to boot event	
		Operating system phase	0xAA	Progress	APIC mode
			0xAC	Progress	PIC mode

## Notices

### Federal Communications Commission Statement

This device complies with Part 15 of the FCC Rules. Operation is subject to the following two conditions:

- This device may not cause harmful interference.
- This device must accept any interference received including interference that may cause undesired operation.

This equipment has been tested and found to comply with the limits for a Class A digital device, pursuant to part 15 of the FCC Rules. These limits are designed to provide reasonable protection against harmful interference when the equipment is operated in a commercial environment. This equipment generates, uses, and can radiate radio frequency energy and, if not installed and used in accordance with the instruction manual, may cause harmful interference to radio communications. Operation of this equipment in a residential area is likely to cause harmful interference in which case the user will be required to correct the interference at his own expense.



---

The use of shielded cables for connection of the monitor to the graphics card is required to assure compliance with FCC regulations. Changes or modifications to this unit not expressly approved by the party responsible for compliance could void the user's authority to operate this equipment.

---

### Compliance Statement of Innovation, Science and Economic Development Canada (ISED)

This device complies with Innovation, Science and Economic Development Canada licence exempt RSS standard(s). Operation is subject to the following two conditions: (1) this device may not cause interference, and (2) this device must accept any interference, including interference that may cause undesired operation of the device.

CAN ICES-003(A)/NMB-003(A)

### Déclaration de conformité de Innovation, Sciences et Développement économique Canada (ISED)

Le présent appareil est conforme aux CNR d'Innovation, Sciences et Développement économique Canada applicables aux appareils radio exempts de licence. L'exploitation est autorisée aux deux conditions suivantes : (1) l'appareil ne doit pas produire de brouillage, et (2) l'utilisateur de l'appareil doit accepter tout brouillage radioélectrique subi, même si le brouillage est susceptible d'en compromettre le fonctionnement.

CAN ICES-003(A)/NMB-003(A)



## Australia statement notice

From 1 January 2012 updated warranties apply to all ASUS products, consistent with the Australian Consumer Law. For the latest product warranty details please visit <https://www.asus.com/support/>. Our goods come with guarantees that cannot be excluded under the Australian Consumer Law. You are entitled to a replacement or refund for a major failure and compensation for any other reasonably foreseeable loss or damage. You are also entitled to have the goods repaired or replaced if the goods fail to be of acceptable quality and the failure does not amount to a major failure.

If you require assistance please call ASUS Customer Service 1300 2787 88 or visit us at <https://www.asus.com/support/>.



---

DO NOT throw the motherboard in municipal waste. This product has been designed to enable proper reuse of parts and recycling. This symbol of the crossed out wheeled bin indicates that the product (electrical and electronic equipment) should not be placed in municipal waste. Check local regulations for disposal of electronic products.

---



---

DO NOT throw the mercury-containing button cell battery in municipal waste. This symbol of the crossed out wheeled bin indicates that the battery should not be placed in municipal waste.

---

## Japan JATE

本製品は電気通信事業者（移動通信会社、固定通信会社、インターネットプロバイダ等）の通信回線（公衆無線LANを含む）に直接接続することができません。本製品をインターネットに接続する場合は、必ずルーター等を経由し接続してください。

## Japan statement notice

This product cannot be directly connected to the Internet (including public wireless LAN) of a telecom carrier (mobile network companies, landline network companies, Internet providers, etc.). When connecting this product to the Internet, be sure to connect it through a router or switch.

## Declaration of compliance for product environmental regulation

ASUS follows the green design concept to design and manufacture our products, and makes sure that each stage of the product life cycle of ASUS product is in line with global environmental regulations. In addition, ASUS disclose the relevant information based on regulation requirements.

Please refer to <http://csr.asus.com/Compliance.htm> for information disclosure based on regulation requirements ASUS is complied with:

### EU REACH and Article 33

Complying with the REACH (Registration, Evaluation, Authorization, and Restriction of Chemicals) regulatory framework, we publish the chemical substances in our products at ASUS REACH website at <http://csr.asus.com/english/REACH.htm>.

## EU RoHS

This product complies with the EU RoHS Directive. For more details, see <http://csr.asus.com/english/article.aspx?id=35>

## Japan JIS-C-0950 Material Declarations

Information on Japan RoHS (JIS-C-0950) chemical disclosures is available on <http://csr.asus.com/english/article.aspx?id=19>

## India RoHS

This product complies with the “India E-Waste (Management) Rules, 2016” and prohibits use of lead, mercury, hexavalent chromium, polybrominated biphenyls (PBBs) and polybrominated diphenyl ethers (PBDEs) in concentrations exceeding 0.1% by weight in homogenous materials and 0.01% by weight in homogenous materials for cadmium, except for the exemptions listed in Schedule II of the Rule.

## Vietnam RoHS

ASUS products sold in Vietnam, on or after September 23, 2011, meet the requirements of the Vietnam Circular 30/2011/TT-BCT.

Các sản phẩm ASUS bán tại Việt Nam, vào ngày 23 tháng 9 năm 2011 trở về sau, đều phải đáp ứng các yêu cầu của Thông tư 30/2011/TT-BCT của Việt Nam.

## Türkiye RoHS

AEEEE Yönetmeliğine Uygundur

## ASUS Recycling/Takeback Services

ASUS recycling and takeback programs come from our commitment to the highest standards for protecting our environment. We believe in providing solutions for you to be able to responsibly recycle our products, batteries, other components as well as the packaging materials. Please go to <http://csr.asus.com/english/Takeback.htm> for detailed recycling information in different regions.

## Ecodesign Directive

European Union announced a framework for the setting of ecodesign requirements for energy-related products (2009/125/EC). Specific Implementing Measures are aimed at improving environmental performance of specific products or across multiple product types. ASUS provides product information on the CSR website. The further information could be found at <https://csr.asus.com/english/article.aspx?id=1555>.

## KC: Korea Warning Statement



R-R-MSO-ESC8000A-E12

이 기기는 업무용 환경에서 사용할 목적으로 적합성평가를 받은 기기로서 가정용 환경에서 사용하는 경우 전과간섭의 우려가 있습니다.

## Safety Precautions

Accessories that came with this product have been designed and verified for the use in connection with this product. Never use accessories for other products to prevent the risk of electric shock or fire.

### 安全上のご注意

付属品は当該専用品です。他の機器には使用しないでください。機器の破損もしくは、火災や感電の原因となることがあります。

## Service and Support

Visit our multi-language website at <https://www.asus.com/support>.



