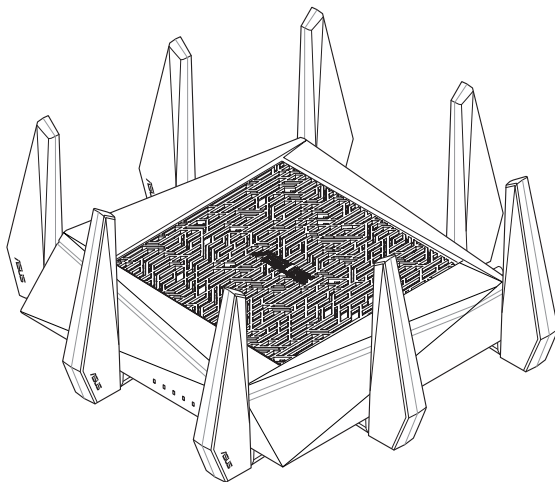




RT-AC5300

Wireless-AC5300 Tri-band Gigabit Router



Quick Start Manual / Kullanım Klavuzu

WEU15857 / Third Edition / August 2019

Table of contents

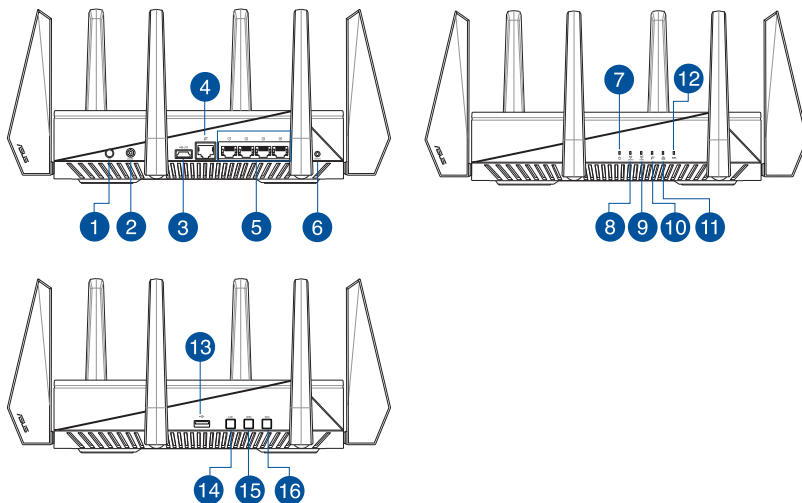
| | |
|------------------|-----|
| English..... | 4 |
| Dansk..... | 17 |
| Nederlands | 30 |
| Français | 43 |
| Suomi..... | 56 |
| Deutsch..... | 69 |
| Ελληνικά..... | 82 |
| Italiano | 95 |
| Norsk..... | 108 |
| Português..... | 121 |
| Español..... | 134 |
| Svenska | 147 |



NOTE

- For more details, refer to the user manual included in the support CD.
 - For yderligere oplysninger herom, bedes du venligst se i brugervejledningen på den medfulgte cd.
 - Voor meer details raadpleegt u de handleiding bij de ondersteunings-cd.
 - Katso lisätietoja tuki-CD-levyllä olevasta käyttöoppaasta.
 - Pour plus de détails, consultez le manuel de l'utilisateur contenu dans le CD de support.
 - Für weitere Details beziehen Sie sich auf das Handbuch auf der Support-CD.
 - Για περισσότερες λεπτομέρειες, ανατρέξτε στο εγχειρίδιο χρήστη που περιλαμβάνεται στο CD υποστήριξης.
 - Per approfondimenti. consultare il manuale utente nel CD di supporto.
 - For mer detaljert informasjon, se brukerveiledningen som fulgte med på støtte CD-en.
 - Para mais detalhes, consulte o manual do utilizador incluído no CD de suporte.
 - Para obtener más detalles, consulte el manual del usuario incluído en el CD de soporte.
 - För ytterligare detaljer, se bruksanvisningen på support-CD:n.
-

A quick look



| | |
|-----------------------|-------------------------------------------------------------------------------------------------------------------------------------------|
| 1 Power button | 9 5GHz LED |
| 2 Power (DC-IN) port | WAN (Internet) LED 10 Red: No IP or no physical connection. On: Has physical connection to a wide area network (WAN). |
| 3 USB 3.0 port | 11 LAN LED |
| 4 WAN (Internet) port | 12 WPS LED |
| 5 LAN 1~4 ports | 13 USB 2.0 port |
| 6 Reset button | 14 LED On/Off button |
| 7 Power LED | 15 WPS button |
| 8 2.4GHz LED | 16 Wi-Fi On/Off button |

Package contents

- | | |
|---------------------------------------------------------------|-------------------------------------------------------|
| <input checked="" type="checkbox"/> RT-AC5300 Wireless Router | <input checked="" type="checkbox"/> AC adapter |
| <input checked="" type="checkbox"/> Network cable (RJ-45) | <input checked="" type="checkbox"/> Quick Start Guide |
| <input checked="" type="checkbox"/> Support CD (User Manual) | |



NOTES:

- If any of the items is damaged or missing, contact your retailer.
 - **USB External HDD/Flash disk:**
 - The wireless router works with most USB HDDs/Flash disks up to 4TB and supports read-write access for FAT16, FAT32, NTFS, and HFS+.
 - To safely remove the USB disk, launch the web GUI (<http://router.asus.com>), then in the **Network Map** page's upper right corner, click the USB icon and click **Eject USB 3.0 / USB 2.0**.
 - Incorrect removal of the USB disk may cause data corruption.
 - For the list of file system and hard disk partitions that the wireless router supports, visit <http://event.asus.com/networks/disksupport>
 - For the list of printers that the wireless router supports, visit <http://event.asus.com/networks/printersupport>
-

Installing your router

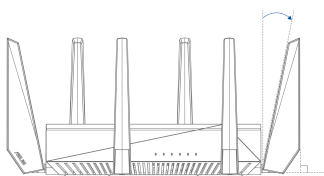
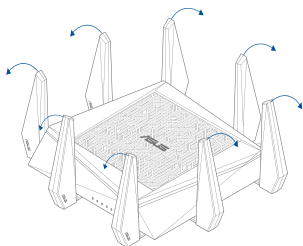


IMPORTANT: Before installing the router, ensure that Internet connection is available.

1. Position your wireless router.

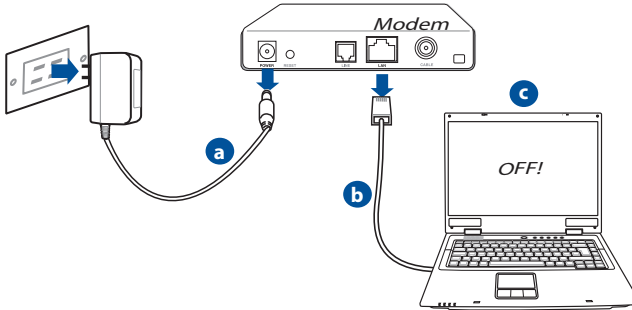
For optimal wireless transmission between the wireless router and connected wireless devices, ensure that you:

- Place the wireless router in a centralized area for a maximum wireless coverage for the network devices.
- Keep the wireless router away from metal obstructions and away from direct sunlight.
- Keep the wireless router away from 802.11g or 20MHz only Wi-Fi devices, 2.4GHz computer peripherals, Bluetooth devices, cordless phones, transformers, heavy-duty motors, fluorescent lights, microwave ovens, refrigerators, and other industrial equipment to prevent signal interference or loss.
- Always update to the latest firmware. Visit the ASUS website at <http://www.asus.com> to get the latest firmware updates.
- To ensure the best wireless signal, orient the eight detachable antennas as shown in the drawing below.



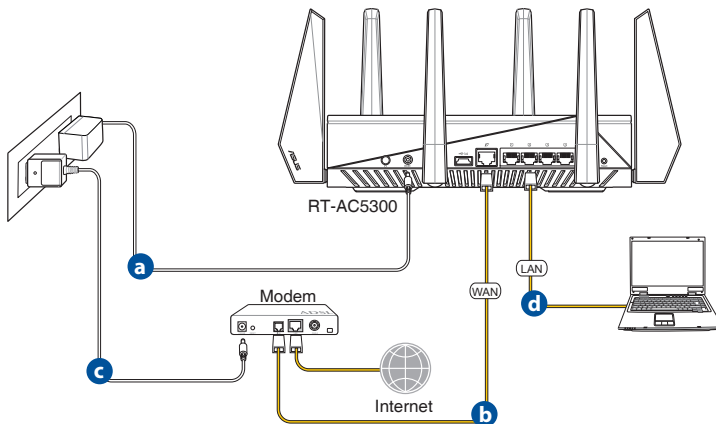
2. Prepare your modem.

- Unplug the AC adapter from the power outlet and disconnect it from your cable/ADSL modem.
- Disconnect the network cable from your cable/ADSL modem.
- Reboot your computer (recommended).



WARNING! Before disconnecting the wires/cables, ensure that your cable/ADSL modem has been turned off for at least two minutes. If your modem has a backup battery, remove it as well.

3. Set up your wireless environment.



- Insert your wireless router's AC adapter to the DC-IN port and plug it to a power outlet.
- Using another network cable, connect your modem to your wireless router's WAN port.
- Insert your modem's AC adapter to the the DC-IN port and plug it to a power outlet.
- Using the bundled network cable, connect your computer to your wireless router's LAN port. Ensure that the WAN and LAN LEDs are blinking.

4. Disable some settings on your computer.

- Disable the proxy server, if enabled.
- Set the TCP/IP settings to automatically obtain an IP address.
- Disable the dial-up connection, if enabled.



NOTE: For more details on disabling your computer settings, refer to **Frequently Asked Questions (FAQs)**.

Quick Internet Setup (QIS) with Auto-detection

The Quick Internet Setup (QIS) function guides you in quickly setting up your Internet connection.



NOTE: When setting the Internet connection for the first time, press the Reset button on your wireless router to reset it to its factory default settings.

To use QIS with auto-detection:

1. Log into the Web GUI. The QIS page launches automatically.



NOTES:

- By default, the login username and password for your wireless router's Web GUI is **admin**.
- The wireless router's login username and password is different from the 2.4GHz/5GHz network name (SSID) and security key. The wireless router's login username and password allows you to log into your wireless router's Web GUI to configure your wireless router's settings. The 2.4GHz/5GHz network name (SSID) and security key allows Wi-Fi devices to log in and connect to your 2.4GHz/5GHz network.

2. The wireless router automatically detects if your ISP connection type is **Dynamic IP, PPPoE, PPTP** and **L2TP**. Key in the necessary information for your ISP connection type.



IMPORTANT! Obtain the necessary information from your ISP about the Internet connection type.

for Automatic IP (DHCP)

ASUS

Skip Setup Wizard

Quick Internet Setup

Check Connection

Internet Setup

Router Setup

Automatic IP connection setup

Host Name(optional):

MAC Address(optional)

MAC Clone

MAC (Media Access Control) address is a unique identifier that identifies your computer or device in the network. ISPs monitor the MAC addresses of devices that connect to their services, and would disallow Internet connection for new MAC addresses. To fix this issue, you can do either of the following:

- Contact your ISP and request to update the MAC address associated with your ISP subscription. Once this is done, you can run the router's setup wizard again.
- Clone or change the MAC address of the new device to match the MAC address of the original device. If you just replaced an old router, you will find the old router's MAC address from its label. If you previously connected your computer to the modem, you will need to enter your computer's MAC address or click "MAC Clone" to clone your computer's MAC address.

Previous Next

for PPPoE, PPTP and L2TP

ASUS

Skip Setup Wizard

Quick Internet Setup

Check Connection

Internet Setup

Router Setup

Account Setting

Please enter your username and password

User Name

Password

Show password

MAC Address(optional)

MAC Clone

Enable VPN client

Special Requirement from ISP

Previous Next

Internet Connection Information

Enter the account name and password for your Internet service provider.

Account Name

Password

User Name

Password

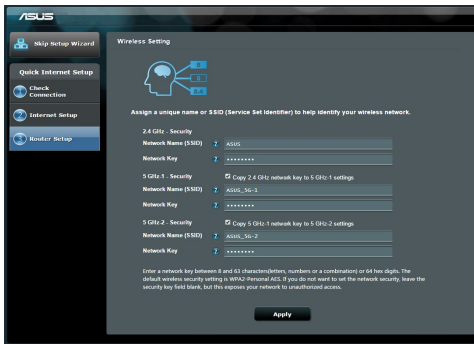
Enter the user name and password for your Internet connection information. These settings were given by your Internet Service Provider (ISP).



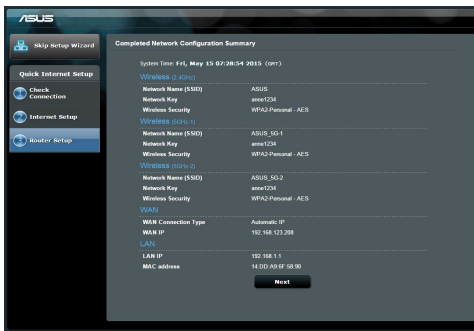
NOTES:

- The auto-detection of your ISP connection type takes place when you configure the wireless router for the first time or when your wireless router is reset to its default settings.
- If QIS failed to detect your Internet connection type, click **Skip to manual setting** and manually configure your connection settings.

3. Assign the wireless network name (SSID) and security key for your 2.4GHz and 5 GHz wireless connection. Click **Apply** when done.



4. Your Internet and wireless settings are displayed. Click **Next** to continue.
5. Read the wireless network connection tutorial. When done, click **Finish**.



Connect to the wireless network

There are two ways for your wireless clients (notebook, tablet PC, smartphone and so on) to connect to RT-AC5300's wireless network.

Connect to the wireless network manually

To connect to the wireless network manually:

1. Enable the Wi-Fi function on your wireless client to scan for available wireless networks.
2. Select the SSID or network name that you assigned to your RT-AC5300's network.
3. Enter the password and click **Connect**.

Connect to the wireless network through WPS

RT-AC5300 has a WPS (Wi-Fi Protected Setup) button for you to connect your wireless client to RT-AC5300's network without entering password.

To connect to the wireless network through WPS:

1. Press the WPS button at the left side of RT-AC5300. Refer to the section **A quick look** for the location of the WPS button).
2. Press the WPS button of your wireless client within two minutes or follow the WPS instructions that came with the wireless client. When connecting via WPS, the WPS LED on your router blinks fast.
3. Wait until your router's WPS LED turns into a solid light indicating a successfully connection between your router and your wireless client.

Managing the router via the ASUSWRT web GUI

Your wireless router comes with the intuitive ASUSWRT web graphical user interface. ASUSWRT allows you to easily configure its various features through a web browser such as Internet Explorer, Firefox, Safari, or Google Chrome.



NOTE: Use the search bar on the bottom of the interface to get more information from ASUS technical support site <http://support.asus.com>.



IMPORTANT:

- For more details on using your router's Web GUI, refer to the user manual.
- Always check and upgrade firmware to the latest version for better experience.
- Visit ASUS Networking video channel for tutorial videos on featured functions.



AiCloud

ASUS AiCloud app provides you with access to your data wherever and whenever you have an Internet connection. It also allows you to access your ASUS WebStorage account via the AiCloud mobile app on your iOS or Android device, or via a web browser.

To install AiCloud:

1. Ensure that your router's firmware version is the latest one and supports AiCloud.
2. Download AiCloud app from Google Play or App Store.
3. Install your USB storage device to your router. Refer to section **A quick look** for the location of the USB ports.
4. Connect your iOS or Android devices to the router through Wi-Fi. The AiCloud app will automatically guide you through the setup process.
5. You can now access, stream and share to all files in your USB storage. Search ASUS AiCloud for more information. Watch tutorial videos for step-by-step guide.



Google Play



App Store

Frequently Asked Questions (FAQs)

After following the steps, I still cannot access the wireless router's web graphics user interface (web GUI) to configure the wireless router settings.

Ensure that your PC's proxy settings are disabled and your PC'S IP address is obtained from the DHCP server automatically. for details on disabling the proxy settings, visit the ASUS Support site at <http://support.asus.com>. For details on using the DHCP server to obtain IP addresses automatically, refer to your Windows® or Mac operating system's help feature.

The client cannot establish a wireless connection with the router.

Out of Range:

- Put the router closer to the wireless client.
- Try to change the channel settings.

Authentication:

- Use wired connection to connect to the router.
- Check the wireless security settings.
- Press the Reset button at the rear panel for more than five seconds.

Cannot find the router:

- Press the Reset button at the rear panel for more than five seconds.
- Check the setting in the wireless adapter such as SSID and encryption settings.

Cannot access the Internet via wireless LAN adapter.

- Move the router closer to the wireless client.
- Check whether the wireless adapter is connected to the correct wireless router.
- Check whether the wireless channel in use conforms to the channels available in your country/area.
- Check the encryption settings.

- Check if the ADSL or Cable connection is correct.
- Retry using another Ethernet cable.

If the ADSL “LINK” light blinks continuously or stays off, Internet access is not possible - the Router is unable to establish a connection with the ADSL network.

- Ensure that all your cables are all properly connected .
- Disconnect the power cord from the ADSL or cable modem, wait a few minutes, then reconnect the cord.
- If the ADSL light continues to blink or stays OFF, contact your ADSL service provider.

Network name or encryption keys are forgotten.

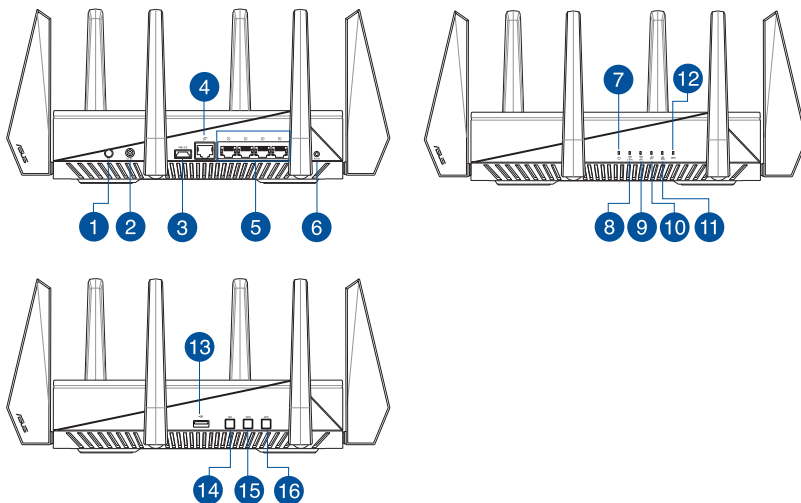
- Try setting up the wired connection and configuring the wireless encryption again.
- Press the Reset button of the wireless router for more than five seconds.
- Factory default settings:

| | | | | |
|-----------------------------------------------|-----------------------------------------------------------------------------------|--------------------------------------|-------------------------------------------|-------------------------------------------|
| User name / Password: admin / admin | IP address: http://router.asus.com | 2.4 GHz network SSID: ASUS | 5 GHz-1 network SSID: ASUS_5G-1 | 5 GHz-2 network SSID: ASUS_5G-2 |
|-----------------------------------------------|-----------------------------------------------------------------------------------|--------------------------------------|-------------------------------------------|-------------------------------------------|

Where can I find more information about the wireless router?

- User Manual in the support CD
- Online FAQ site: <http://support.asus.com/faq>
- Technical Support site: <http://support.asus.com>
- Customer Hotline: Refer to the Support Hotline in this Quick Start Guide

Et hurtigt kik på din RT-AC5300



| | |
|------------------------|-------------------------------------------------------------------------------------------------------------------------------------------------|
| 1 Afbryderknappen | 9 5GHz LED |
| 2 Strøm (DC-IN) port | 10 WAN (Internet) LED Rød: Ingen IP-adresse eller fysisk forbindelse. Hvid: Har en fysisk forbindelse til et netværk (WAN). |
| 3 USB 3.0 port | 11 LAN LED |
| 4 WAN (Internet) porte | 12 WPS LED |
| 5 LAN 1 ~ 4 porte | 13 USB 2.0 port |
| 6 Nulstillingsknap | 14 WPS LED tænd/sluk-knap |
| 7 Strøm LED | 15 WPS knap |
| 8 2.4GHz LED | 16 Wi-Fi tænd/sluk-knap |

Pakkens indhold

- RT-AC5300
- AC adapter
- Netværkskabel (RJ-45)
- Kvikstartguide
- Support-cd (med brugervejledning/værktøjer)



BEMÆRINGER:

- Du bedes venligst kontakte din forhandler, hvis nogen af delene mangler eller er beskadiget.
 - **USB ekstern HDD/Flashdrev:**
 - Den trådløse router virker med de fleste USB HDD/Flashdrev (op til 4TB i størrelse), og understøtter læs-skriv adgang på FAT16, FAT32, NTFS og HFS+.
 - For sikker fjernelse af USB-disken, skal du starte internetgrænseflade (<http://router.asus.com>), øverst til højre på siden **Network Map (Netværkskort)**, Klik på USB-ikonet efterfulgt af **Eject USB 3.0/USB 2.0**.
 - Fjernes USB drevet på en forkert måde, kan det medføre ødelæggelse af data.
 - For at se en liste over hvilke filsystemer og hardiskpartitioner, som den trådløse router understøtter, bedes du venligst besøge <http://event.asus.com/networks/disksupport>
 - For at se en liste over hvilke printere, som den trådløse router understøtter, bedes du venligst besøge <http://event.asus.com/networks/printersupport>
-

Installering af din router

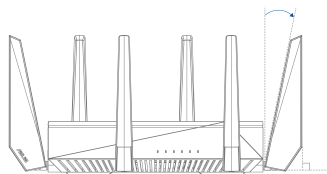
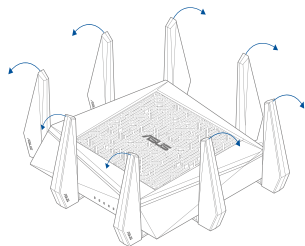


VIGTIGT: Sørg for at du har en internetforbindelse før du installere routeren.

1. Placering af din router.

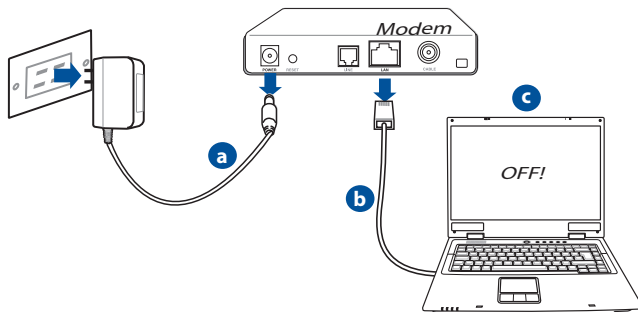
For at opnå den bedste trådløse signaloverførsel mellem den trådløse router og netværksenhederne, som er forbundet til den, skal du sørge for at:

- Stil den trådløse router på et centralt sted for, at få størst trådløs dækning til netværksenhederne.
- Hold enheden væk fra metalforhindringer, og væk fra direkte sollys.
- Hold enheden væk fra Wi-Fi enheder, der kun kører på 802.11g eller 20MHz, 2,4GHz computerudstyr, Bluetooth enheder, trådløse telefoner, transformatorer, kraftige motorer, fluorescerende lys, mikrobølgeovne, køleskab og andet industriudstyr for, at forhindre forstyrrelser eller signaltab.
- Sørg altid for, at opdatere til den nyeste firmware. Besøg ASUS' hjemmeside på <http://www.asus.com> for, at hente de seneste firmwareopdateringer.
- For at sikre det bedst mulige trådløse signal, skal du rette de 8 aftagelige antenner, som vist på tegningen nedenfor.



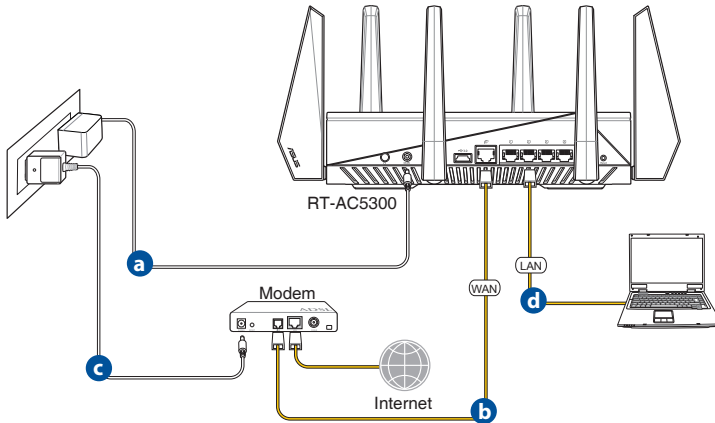
2. Forberedelse af dit modem.

- Træk stikket ud af stikkontakten, og træk stikket ud af dit kabel/ADSL modem.
- Træk netværkskablet ud af dit kabel/ADSL modem.
- Genstart din computer (anbefales).



ADVARSEL! Før du trækker ledningerne/kablerne ud, bedes du sørge for at dit kabel/ADSL modem har været slukket i mindst to minutter. Hvis dit modem har et backup-batteri, bedes du også fjerne dette.

3. Opsætning af dit trådløst miljø.



- Slut den ene ende af el-ledningen til DC-IN stikket, og den anden til en stikkontakt.
- Hvis du bruger en anden netværkskabel, skal du forbinde dit modem til WAN porten på din trådløse router.
- Slut den ene ende af el-ledningen til DC-IN stikket på modemmet, og den anden til en stikkontakt.
- Hvis du bruger en netværkskabel, skal du forbinde din computer til LAN porten på din trådløse router.

4. Deaktiver nogle indstillinger på din computer.

- Deaktiver proxyserveren, hvis den er aktiveret.
- Indstil TCP/IP indstillingerne til at hente en IP-adresse automatisk.
- Deaktiver opkaldsforbindelsen, hvis den er aktiveret.



BEMÆRK: For yderligere oplysninger om deaktivering af dine computerindstillinger, bedes du venligst se **Ofte stillede spørgsmål (FAQ)**.

Hurtig internetopsætning (QIS) med automatisk registrering

Den hurtige internetopsætning (QIS) viser dig, hvordan du hurtigt opsætter din internetforbindelse.



BEMÆRK: Når du indstiller internetforbindelsen for første gang, skal du trykke på Nulstil-knappen på din trådløse router, så den nulstilles til fabriksindstillingerne.

Sådan bruger du QIS med automatisk registrering:

1. Log på webgrænsefladen. QIS-siden åbnes automatisk.



BEMÆRKNINGER:

- Som standard er login-brugernavnet og adgangskoden til din trådløse routers webgrænseflade **admin**.
- Den trådløse routers login-brugernavn og adgangskode er forskellige fra 2.4 GHz/5 GHz netværksnavnet (SSID) og sikkerhedsnøglen. Med den trådløse routers login-brugernavn og adgangskode kan du logge på din trådløse routers webgrænseflade, hvor du kan konfigurere indstillingerne for din trådløse router. Med 2.4 GHz/5 GHz netværksnavnet (SSID) og sikkerhedsnøglen, kan andre trådløse enheder logge på og oprette forbindelse til netværket 2.4 GHz/5 GHz.

2. Den trådløse router finder automatisk ud af, om din internetforbindelse er med en **Dynamisk IP, PPPoE, PPTP eller L2TP**. Indtast de nødvendige oplysninger til din internetforbindelse.



VIGTIGT! Du kan få de nødvendige oplysninger fra din internetudbyder om, hvilken slags internetforbindelse du har.

Med automatisk IP (DHCP)

ASUS

Skip Setup Wizard

Quick Internet Setup

Check Connection

Internet Setup

Router Setup

Automatic IP connection setup

Host Name(optional):

MAC Address(optional)

MAC Clone

MAC (Media Access Control) address is a unique identifier that identifies your computer or device in the network. ISPs monitor the MAC addresses of devices that connect to their services, and would disallow Internet connection for new MAC addresses. To fix this issue, you can do either of the following:

- Contact your ISP and request to update the MAC address associated with your ISP subscription. Once this is done, you can run the router's setup wizard again.
- Clone or change the MAC address of the new device to match the MAC address of the original device. If you just replaced an old router, you will find the old router's MAC address from its label. If you previously connected your computer to the modem, you will need to enter your computer's MAC address or click "MAC Clone" to clone your computer's MAC address.

Previous Next

Med PPPoE, PPTP eller L2TP

ASUS

Skip Setup Wizard

Quick Internet Setup

Check Connection

Internet Setup

Router Setup

Account Setting

Please enter your username and password

User Name

Password

Show password

MAC Address(optional)

MAC Clone

Enable VPN client

Special Requirement from ISP

Previous Next

Internet Connection Information

Enter the account name and password for your Internet services provider.

Account Name

Password

User Name

Password

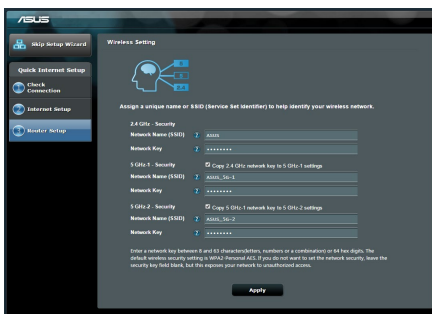
Enter the user name and password for your Internet connection information. These settings were given by your Internet Service Provider (ISP).



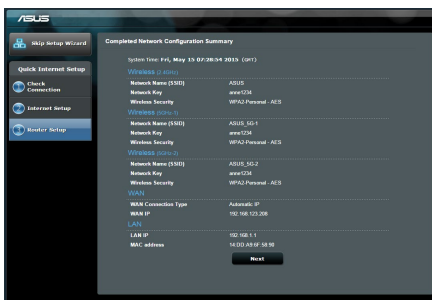
BEMÆRKNINGER:

- Den automatisk registrering af din forbindelsestype starter når du konfigurerer den trådløse router for første gang, eller hvis din trådløse nulstilles til standardindstillingerne.
- Hvis QIS ikke kan finde ud af, hvilken slags internetforbindelse du har, skal du klikke på **Skip to manual setting (Spring til manuel indstilling)**, og konfigurer derefter dine forbindelsesindstillinger manuelt.

3. Indtast et navn (SSID) og en sikkerhedsnøgle til din 2,4 GHz og 5 GHz trådløse forbindelse. Tryk på **Apply (Anvend)**, når du er færdig.



4. Herefter vises dine internet- og trådløse indstillinger. Klik på **Next (Næste)**, for at fortsætte.
5. Læs vejledningen til din trådløs netværksforbindelse. Klik på **Finish (Udfør)**, når du er færdig.



Oprettelse af forbindelse til det trådløse netværk

Dine trådløse klienter (din notebook, tablet-pc, smarttelefon osv.) kan oprette forbindelse til din RT-AC5300's trådløse netværk på to måder.

Manuel oprettelse af forbindelse til det trådløse netværk

Sådan opretter du manuelt forbindelse til det trådløse netværk:

1. Slå Wi-Fi-funktionen til på din trådløse klient, hvorefter den søger efter tilgængelige trådløse netværker.
2. Vælg SSID'et eller netværknavnet, som du gav til din RT-AC5300's netværk.
3. Indtast adgangskoden og klik på **Connect (Forbind)**.

Oprettelse af forbindelse til det trådløse netværk via WPS

Din RT-AC5300 har en WPS-knap (Wi-Fi Protected Setup) så du kan forbinde din trådløse klient til netværket uden en adgangskode:

Sådan opretter du forbindelse til det trådløse netværk via WPS:

1. Tryk på WPS-knappen bag på din RT-AC5300. For at se hvor WPS-knappen sidder, bedes du venligst se afsnittet **Et hurtigt kik på din RT-AC5300**.
2. Tryk på WPS-knappen på din trådløse klient inden for 2 minutter, eller følg WPS-instruktionerne som fulgte med din trådløse klient. Når du opretter forbindelse via WPS, vil Strøm-lampen på din router begynde at blinke hurtigt.
3. Vent indtil Strøm-lampen på routeren begynder at lyse konstant, hvilket betyder at der er oprette forbindelse mellem din router og din trådløse klient.

Styring af din router via ASUSWRT webgrænsefladen

Din trådløse router kommer med en webgrænseflade der hedder ASUSWRT. På ASUSWRT har du mulighed for at konfigurere forskellige funktioner via en internetbrowser, såsom Internet Explorer, Firefox, Safari og Google Chrome.



BEMÆRK: Brug søgelinjen foruden på grænsefladen for at få flere oplysninger fra ASUS' tekniske supportside <http://support.asus.com>.



VIGTIGT:

- For yderligere oplysninger om hvordan du bruger din routers webgrænseflade, bedes du venligst se brugsvejledningen.
- Sørg altid for at kontrollere firmwaret, og sørg for at du har den seneste version.
- Du kan se undervisningsvideoer om de forskellige funktioner på ASUS' netværksvideokanal.



AiCloud

Med ASUS AiCloud-app'en har du altid adgang til dine data hvorend du befinder dig, så længe du har en internetforbindelse. Den giver dig også mulighed for at få adgang til din ASUS WebStorage-konto via AiCloud mobilapp'en på din iOS- eller Android-enhed eller via en internetbrowser.

Sådan installerer du AiCloud:

1. Sørg for at firmwareversionen på din router er opdateret og understøtter AiCloud.
2. Download AiCloud-app'en fra Google Play eller App Store.
3. Installer din USB-lagerenhed på din router. For at se hvor USB-portene sidder, bedes du venligst se afsnittet **Et hurtigt kig på din RT-AC5300**.
4. Forbind din iOS- eller Android-enhed til routeren via Wi-Fi. AiCloud-app'en guider dig automatisk gennem installationen.
5. Du kan nu se, streame og dele alle filerne på din USB-enhed. Søg efter ASUS AiCloud for yderligere oplysninger. Se undervisningsvideoerne for at få en trin-for-trin vejledning.



Google Play



App Store

Ofte stillede spørgsmål (FAQ)

Når jeg har gennemgået trinnene, er det stadig ikke muligt for mig, at åbne internetgrænsefladen (web GUI), hvor jeg kan konfigurere indstillingerne på den trådløse router.

Sørg for at proxyindstillingerne på pc'en er deaktiveret, og at dens IP-adresse automatisk hentes fra DHCP-serveren. For yderligere oplysninger om deaktivering af proxyindstillingerne, bedes du venligst besøge ASUS' supportside på at <http://support.asus.com>. For nærmere oplysninger om hvordan du automatisk får en IP-adresse ved brug af DHCP-serveren, bedes du venligst se hjælpefunktionen i dit Windows® eller Mac operativsystem.

Klienten kan ikke etablere en trådløs forbindelse til routeren.

Udenfor rækkevidde:

- Stil routeren tættere på den trådløse klient.
- Prøv at skifte kanalindstillingerne.

Godkendelse:

- Brug en kabelforbindelse til, at oprette forbindelse til routeren.
- Tjek de trådløse sikkerhedsindstillinger.
- Hold nulstillingsknappen bagpå routeren nede i mere end fem sekunder.

Kan ikke finde routeren:

- Hold nulstillingsknappen bagpå routeren nede i mere end fem sekunder.
- Tjek den trådløse adapters indstilling såsom SSID og kryptering.

Kan ikke få adgang til internettet via den trådløse LAN adapter.

- Flyt routeren tættere på den trådløse klient.
- Tjek om den trådløse adapter er forbundet til den rigtige trådløse router.
- Tjek om den trådløse kanal, som du bruger, stemmer overens med de kanaler, der er tilgængelige i dit land/område.
- Tjek krypteringsindstillingerne.

- Tjek om ADSL eller Kabel-forbindelsen virker korrekt.
- Prøv igen med en anden ethernet-kabel.

Hvis ADSL "LINK" lyset blinker konstant eller er slukket, er internetadgang ikke mulig - routeren kan ikke etablere en forbindelse med ADSL netværket.

- Sørg for, at alle dine kabler er ordentligt tilsluttet.
- Træk stikket til ADSL- eller kabelmodemmet ud af stikkontakten, vent i et par minutter, og sæt det til igen.
- Hvis ADSL lyset stadig blinker eller er SLUKKET, bedes du venligst kontakte din ADSL udbyder.

Jeg har glemt mit netværksnavn eller sikkerhedskode.

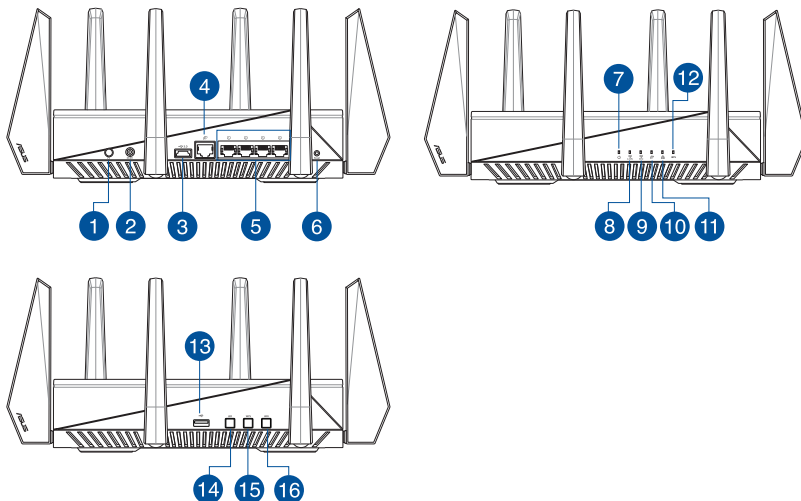
- Prøv, at opsætte kabelforbindelsen og konfigurere krypteringsindstillingerne igen.
- Hold nulstillingsknappen nede i mere end fem sekunder for, at nulstille eller gendanne systemet til fabriksindstillingerne.
- Fabriksindstillingerne:

| | | | | |
|------------------------------------------------------|-----------------------------------------------------------------------------------|--------------------------------------------|-------------------------------------------------|-------------------------------------------------|
| Brugernavn/ Adgangskode: admin / admin | IP-adresse: http://router.asus.com | 2,4 GHz net- værk SSID: ASUS | 5 GHz-1 net- værk SSID: ASUS_5G-1 | 5 GHz-2 net- værk SSID: ASUS_5G-2 |
|------------------------------------------------------|-----------------------------------------------------------------------------------|--------------------------------------------|-------------------------------------------------|-------------------------------------------------|

Hvor kan jeg finde yderligere oplysninger om min trådløs router?

- I brugervejledningen på support-cd'en.
- Ofte stillede spørgsmål på nettet: <http://support.asus.com/faq>
- Teknisk support: <http://support.asus.com/>
- Kunde hotline: Se venligst Kunde hotline i den medfølgende vejledning.

Een snelle blik op uw RT-AC5300



| | |
|---------------------------------------|-----------------------------------------------------------------------------------------------------------------------------------------------------------------------|
| 1 Aan/Uit schakelaar | 9 5GHz LED |
| 2 Netstroomaansluiting (DC-In) | 10 LED WAN (Internet) Rood: geen IP of geen fysieke verbinding. Wit: heeft een fysieke verbinding met een WAN-netwerk (wide area network). |
| 3 USB 3.0 poort | 11 LAN-LED |
| 4 WAN-poort(Internet) | 12 LED WPS |
| 5 LAN 1 ~ 4 poorten | 13 USB 2.0 poort |
| 6 Reset-knop | 14 LED aan-/uitknop |
| 7 Voedings-LED | 15 WPS-knop |
| 8 2.4GHz LED | 16 Wi-Fi aan-/uitknop |

Inhoud verpakking

- RT-AC5300
- Wisselstroomadapter
- Netwerkkabel (RJ-45)
- Beknopte handleiding
- Ondersteunings-cd (handleiding)



OPMERKINGEN:

- Als een van de items beschadigd is of ontbreekt, moet u contact opnemen met uw leverancier.
 - **Extere USB-HDD/Flashdisk:**
 - De draadloze router werkt met de meeste USB-HDD's/Flashdisks tot 4TB en ondersteunt lees-schrijftoegang voor FAT16, FAT32, NTFS en HFS+.
 - Om de USB-disk veilig te verwijderen, start u de grafische webinterface (<http://router.asus.com>). Klik vervolgens in de rechterbovenhoek van de pagina **Network Map (Netwerkkartaat)** op het USB-pictogram en klik op **Eject USB 3.0 / USB 2.0 (USB 3.0 / USB 2.0 uitwerpen)**.
 - Wanneer u de USB-schijf op de verkeerde manier verwijdert, kan dit uw gegevens beschadigen.
 - De lijst van bestandssystemen en harde schijfpartities die de draadloze router ondersteunt, vindt u op <http://event.asus.com/networks/disksupport>
 - De lijst van printers die de draadloze router ondersteunen, vindt u op <http://event.asus.com/networks/printersupport>
-

Uw router installeren

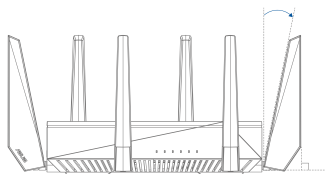
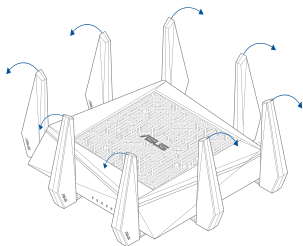


BELANGRIJK: controleer of de internetverbinding beschikbaar is voordat u de router installeert.

1. Uw draadloze router plaatsen.

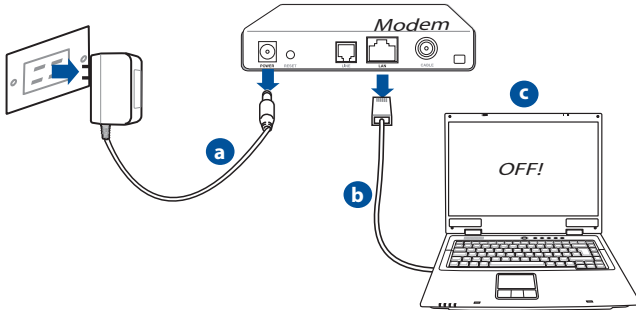
Voor de beste draadloze signaaltransmissie tussen de draadloze router en de netwerkapparaten die erop zijn aangesloten, moet u het volgende doen:

- Plaats de draadloze router in een centraal gebied voor een maximaal draadloos bereik voor de netwerkapparaten.
- Houd het apparaat uit de buurt van metalen obstakels en uit direct zonlicht.
- Houd het apparaat uit de buurt van 802.11g of 20MHz WiFi-apparaten, 2.4GHz computerrandapparatuur, Bluetooth-apparaten, draadloze telefoons, transformators, zware motoren, TL-lampen, magnetrons, koelkasten en andere industriële apparatuur om signaalverlies te voorkomen.
- Voer altijd een update uit naar de nieuwste firmware. Bezoek de ASUS-website op <http://www.asus.com> voor de nieuwst firmware-updates.
- Voor het beste draadloze signaal, moet u de 8 afneembare antennes richten zoals weergegeven in de onderstaande afbeelding.



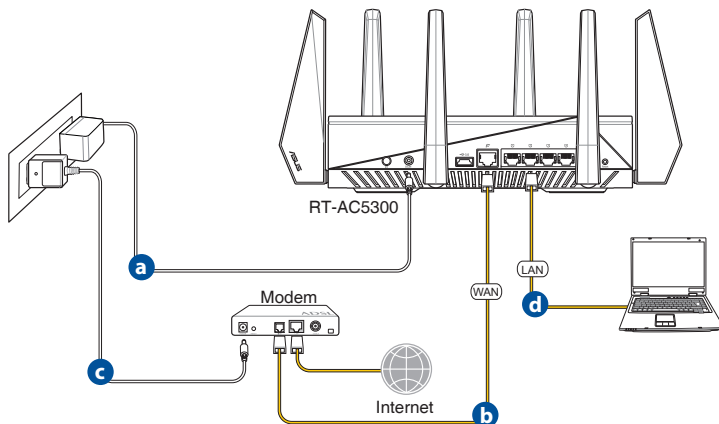
2. Uw modem voorbereiden.

- a: Koppel de wisselstroomadapter los van de voeding en aan de kabel/ADSL-modem.
- b: Koppel de netwerkkabel los van uw kabel/ADSL-modem.
- c: Start uw computer opnieuw op (aanbevolen).



WAARSCHUWING! Zorg ervoor dat uw kabel/ADSL-modus minstens twee minuten is uitgeschakeld voordat u de draden/kabels loskoppelt. Als uw modem een reservebatterij heeft, moet u deze ook verwijderen.

3. Uw draadloze omgeving instellen.



- Stop de wisselstroomadapter van uw draadloze router in de gelijkstroomingang en sluit deze aan op een stopcontact.
- Sluit uw modem met een andere netwerkkabel aan op de WAN-poort van uw draadloze router.
- Stop de wisselstroomadapter van uw modem in de gelijkstroomingang en sluit deze aan op een stopcontact.
- Sluit uw computer met de netwerkkabel aan op de LAN-poort van uw draadloze router.

4. Schakel enkele instellingen op uw computer uit.

- Schakel de proxyserver uit indien deze is ingeschakeld.
- De TCP/IP-instellingen instellen om automatisch een IP-adres te verkrijgen.
- Schakel de inbelverbinding uit indien deze is ingeschakeld.



OPMERKING: Raadpleeg *Veelgestelde vragen (FAQ's)* voor meer details over het uitschakelen van uw computerinstellingen.

QIS (Quick Internet Setup = snelle internetinstelling) met automatische detectie

De QIS-functie (Quick Internet Setup) begeleidt u bij het snel instellen van uw internetverbinding.



OPMERKING: Als u de internetverbinding voor de eerste keer instelt, drukt u op de knop Reset op uw draadloze router om deze opnieuw in te stellen naar de standaard fabrieksinstellingen.

QIS gebruiken met de automatische detectie:

1. Meld aan bij de webgebruikersinterface. De QIS-pagina wordt automatisch gestart.



OPMERKINGEN:

- De gebruikersnaam en het wachtwoord voor het aanmelden voor de grafische webgebruikersinterface van uw draadloze router zijn standaard **admin**.
- De gebruikersnaam en het wachtwoord voor de draadloze router verschillen van de 2.4GHz/5GHz-netwerknnaam (SSID) en beveiligings sleutel. De gebruikersnaam en het wachtwoord voor het aanmelden van de draadloze router biedt u de mogelijkheid aan te melden bij de grafische webgebruikersinterface van uw draadloze router voor het configureren van de instellingen van de draadloze router. Met de 2.4GHz/5GHz-netwerknnaam (SSID) en de beveiligings sleutel kunnen wifi-apparaten aanmelden bij en verbinden met uw 2.4GHz/5GHz-netwerk.

2. De draadloze router detecteert automatisch als uw ISP-verbindingstype **Dynamic IP, PPPoE, PPTP** en **L2TP** is. Voer de informatie in die nodig is voor uw ISP-verbindingstype



BELANGRIJK! Verkrijg de nodige informatie van uw ISP voor het internetverbindingstype.

voor automatisch IP (DHCP)

ASUS

Skip Setup Wizard

Quick Internet Setup

Check Connection

Internet Setup

Router Setup

Automatic IP connection setup

Host Name(optional):

MAC Address(optional) **MAC Clone**

MAC (Media Access Control) address is a unique identifier that identifies your computer or device in the network. ISPs monitor the MAC addresses of devices that connect to their services, and would disallow Internet connection for new MAC addresses. To fix this issue, you can do either of the following:

- Contact your ISP and request to update the MAC address associated with your ISP subscription. Once this is done, you can run the router's setup wizard again.
- Clone or change the MAC address of the new device to match the MAC address of the original device. If you just replaced an old router, you will find the old router's MAC address from its label. If you previously connected your computer to the modem, you will need to enter your computer's MAC address or click "MAC Clone" to clone your computer's MAC address.

Previous **Next**

voor PPPoE, PPTP en L2TP

ASUS

Skip Setup Wizard

Quick Internet Setup

Check Connection

Internet Setup

Router Setup

Account Setting

Please enter your username and password

User Name

Password Show password

MAC Address(optional) **MAC Clone**

Enable VPN client

Special Requirement from ISP

Previous **Next**

Internet Connection Information

Enter the account name and password for your Internet service provider

Account Name

Password

User Name

Password

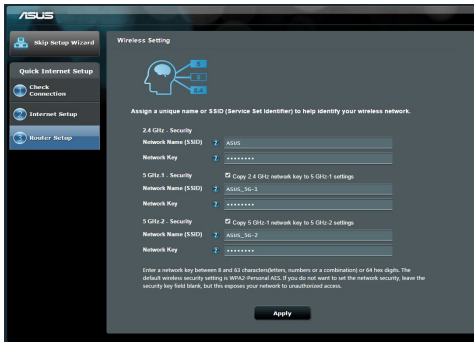
Enter the user name and password for your Internet connection information. These settings were given by your Internet Service Provider (ISP)



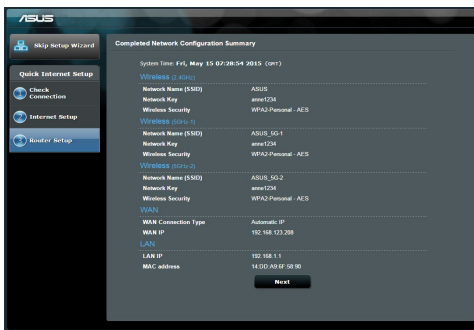
OPMERKINGEN:

- De automatische detectie van uw ISP-verbindingstype vindt plaats wanneer u de draadloze router voor de eerste keer configureert of wanneer uw draadloze router opnieuw wordt ingesteld naar de standaardinstellingen.
- Als QIS uw internetverbindingstype niet kan detecteren, klikt u op **Skip to manual setting (Overslaan naar handmatige instelling)** en configureert u uw verbindinginstellingen handmatig.

3. Wijs de naam van het draadloos netwerk (SSID) en de beveiligingscode toe voor uw draadloze 2.4GHz- en 5 GHz-verbinding. Klik op **Apply (Toepassen)** wanneer u klaar bent.



4. Uw internet- en draadloze instellingen worden weergegeven. Klik op **Next (Volgende)** om door te gaan.
5. Toont de zelfstudie voor de draadloze netwerkverbinding. Klik op **Finish (Voltoeien)** wanneer u klaar bent.



Verbinden met het draadloos netwerk

Er zijn twee manieren voor uw draadloze clients (notebook, tablet PC, smartphone enz.) om een verbinding te maken met het draadloos netwerk van de RT-AC5300.

Handmatig verbinden met het draadloos netwerk

Handmatig verbinden met het draadloos netwerk:

1. Schakel de wifi-functie op uw draadloze client in om te scannen naar beschikbare draadloze netwerken.
2. Selecteer de SSID of netwerknaam die u hebt toegewezen aan het netwerk van de RT-AC5300.
3. Voer een wachtwoord in en klik op **Connect (Verbinden)**.

Verbinden met het draadloos netwerk via WPS

De RT-AC5300 heeft een WPS-knop (Wi-Fi Protected Setup) waarmee u uw draadloze client kunt verbinden met het netwerk van het RT-AC5300 zonder het wachtwoord in te voeren.

Verbinden met het draadloos netwerk via WPS:

1. Druk op de WPS-knop op de achterkant van de RT-AC5300. Raadpleeg het hoofdstuk **Een snelle blik op uw RT-AC5300** voor de locatie van de WPS-knop).
2. Druk op de WPS-knop van uw draadloze client binnen twee minuten of volg de WPS-instructies die bij de draadloze client zijn geleverd. Wanneer u aansluit via WPS, begint de voedings-LED op uw router snel te knipperen.
3. Wacht tot de voedings-LED van uw router stabiel oplicht om aan te geven dat de verbinding tussen uw router en uw draadloze client is gelukt.

De router beheren via de ASUSWRT web GUI

Uw draadloze router wordt geleverd met de intuïtieve grafische ASUSWRT-gebruikersinterface. Met ASUSWRT kunt u de verschillende functies gemakkelijk configureren via een webbrowser, zoals Internet Explorer, Firefox, Safari of Google Chrome.



OPMERKING: Gebruik de zoekbalk op de onderkant van de interface voor meer informatie van de technische ondersteuningsite ASUS <http://support.asus.com>.



BELANGRIJK:

- Raadpleeg de handleiding voor meer details over het gebruik van de Web-GUI van uw router.
- Wij raden u aan uw firmware altijd controleren en upgraden naar de nieuwste versie voor een betere ervaring.
- Bezoek het videokanaal van het ASUS-netwerk voor zelfstudies op aangeboden functies.



AiCloud

De app ASUS AiCloud biedt u toegang tot uw gegevens waar en wanneer u een internetverbinding hebt. Deze biedt u ook toegang tot uw ASUS Webstorage-account via de mobiele app AiCloud op uw iOS of Android-apparaat of via een webbrowser.

AiCloud installeren:

1. Controleer of de firmwareversie van uw router de nieuwste versie is en AiCloud ondersteunt.
2. Download de app AiCloud van Google Play of App Store.
3. Installeer uw USB-opslagapparaat op uw router. Raadpleeg het hoofdstuk **Een snelle blik op uw RT-AC5300** voor de locatie van de USB-poorten.
4. Sluit uw iOS- of Android-apparaten aan op de router via Wifi. De app AiCloud zal u automatisch begeleiden doorheen het installatieproces.
5. U krijgt nu alle bestanden in uw USB-opslag openen, streamen en delen. Zoek op ASUS AiCloud voor meer informatie. Bekijk de video's van de zelfstudie voor een stapsgewijze handleiding.



Google Play



App Store

Veelgestelde vragen (FAQ's)

Nadat ik de stappen heb gevolgd, krijg ik nog steeds geen toegang tot de grafische webinterface (Web GUI) van de draadloze router om deze in te stellen.

Controleer of de proxy-instellingen van uw pc zijn uitgeschakeld en of het IP-adres van uw pc automatisch wordt verkregen van de DHCP-server. Voor meer informatie over het uitschakelen van de proxy-instellingen, kunt u een bezoek brengen aan de ASUS-ondersteuningssite op <http://support.asus.com>. Meer informatie over het gebruik van de DHCP-server om IP-adressen automatisch te verkrijgen, vindt u in de Help-functie van uw Windows®- of Mac-besturingssysteem.

De client kan geen draadloze verbinding maken met de router.

Buiten bereik:

- Plaats de router dichterbij de draadloze client.
- Probeer de kanaalinstellingen te wijzigen.

Verificatie:

- Gebruik een bekabelde verbinding om de router te verbinden.
- Controleer de draadloze beveiligingsinstellingen.
- Houd de Reset-knop op het achterpaneel langer dan vijf seconden ingedrukt.

Kan de router niet vinden:

- Houd de Reset-knop op het achterpaneel langer dan vijf seconden ingedrukt.
- Controleer de instelling van de draadloze adapter, zoals de SSID- en coderingsinstellingen.

Kan geen toegang krijgen tot het internet via de draadloze LAN-adapter.

- Plaats de router dichterbij de draadloze client.
- Controleer of de draadloze adapter verbonden is met de correcte draadloze router.
- Controleer of het draadloze kanaal dat wordt gebruikt, overeenstemt met de kanalen die beschikbaar zijn in uw land/regio.
- Controleer de codeerinstellingen.

- Controleer of de ADSL- of kabelverbinding correct is.
- Probeer het opnieuw met een andere ethernetkabel.

Als het "LINK"-lampje van de ADSL blijft knipperen of uit blijft, is er geen internettoegang mogelijk. De router kan geen verbinding maken met het ADSL-netwerk.

- Controleer of al uw kabels correct zijn aangesloten.
- Koppel de voedingskabel van de ADSL- of kabelmodem los, wacht enkele minuten en sluit de kabel vervolgens opnieuw aan.
- Als het ADSL-lampje blijft knipperen of UIT blijft, moet u contact opnemen met uw ADSL-serviceprovider.

Ik ben mijn netwerknaam of beveiligingssleutels vergeten.

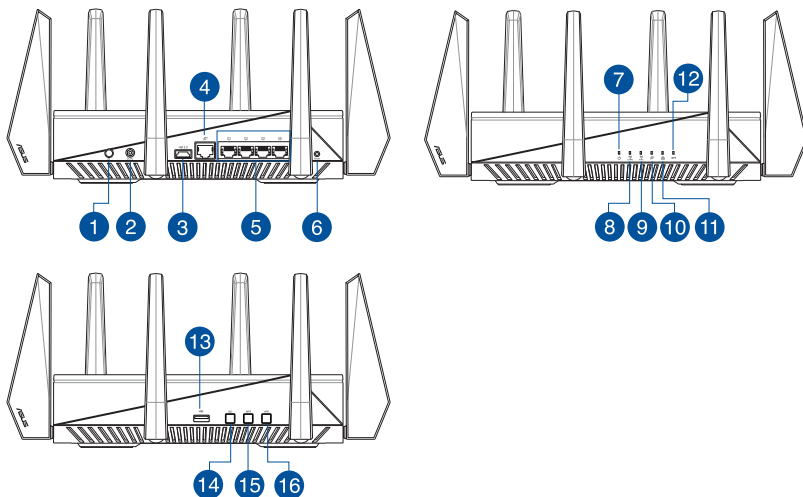
- Probeer de bekabelde verbinding tot stand te brengen en configureer de coderingsinstellingen opnieuw.
- Houd de Reset-knop gedurende meer dan vijf seconden ingedrukt om het systeem opnieuw in te stellen of terug te zetten naar de standaard fabriekswaarden.
- Standaard fabrieksinstellingen:

| | | | | |
|------------------------------------------------------|---------------------------------------------------------------------------------|--------------------------------------|-------------------------------------------|-------------------------------------------|
| Gebruikersnaam / wachtwoord: admin / admin | IP-adres: http://router.asus.com | SSID 2.4 GHz-netwerk: ASUS | SSID 5 GHz-1-netwerk: ASUS_5G-1 | SSID 5 GHz-2-netwerk: ASUS_5G-2 |
|------------------------------------------------------|---------------------------------------------------------------------------------|--------------------------------------|-------------------------------------------|-------------------------------------------|

Waar kan ik meer informatie vinden over de draadloze router?

- Handleiding op ondersteunings-cd
- Online site voor veelgestelde vragen (FAQ): <http://support.asus.com/faq>
- Site voor technische ondersteuning: <http://support.asus.com>
- Hotline klantendienst: raadpleeg de nummers voor de ondersteuningshotline in de Aanvullende handleiding

Aperçu rapide



| | | | |
|---|-------------------------------|----|---------------------------------------------------------------------------------------------------------------------------------------------------------|
| 1 | Bouton d'alimentation | 9 | 5GHz LED |
| 2 | Prise d'alimentation (CC) | 10 | Témoin réseau étendu (WAN) Rouge : routeur éteint ou aucune connexion physique. Allumé : connexion établie à un réseau local (WAN). |
| 3 | Ports USB 3.0 | 11 | Réseau local LED |
| 4 | Port réseau étendu (Internet) | 12 | Témoin d' WPS |
| 5 | Ports LAN 1 ~ 4 | 13 | Ports USB 2.0 |
| 6 | Bouton de réinitialisation | 14 | Témoin d' WPS Bouton |
| 7 | Témoin d'alimentation | 15 | Bouton WPS |
| 8 | 2.4GHz LED | 16 | Bouton Wi-Fi |

Contenu de la boîte

- ☑ Routeur sans fil RT-AC5300
- ☑ Câble réseau
- ☑ CD de support (Mode d'emploi)
- ☑ Adaptateur secteur
- ☑ Guide de démarrage rapide



REMARQUES:

- Contactez votre revendeur si l'un des éléments est manquant ou endommagé.
 - **Périphérique de stockage USB externe :**
 - Le routeur sans fil fonctionne avec la plupart des périphériques de stockage USB d'une taille maximum de 4 To et supporte la lecture/écriture pour les formats de fichiers FAT16, FAT32, NTFS et HFS+.
 - Pour retirer un lecteur USB en toute sécurité, allez dans l'interface de gestion du routeur (<http://router.asus.com>), puis cliquez sur l'Icône USB située sur le coin supérieur droit de l'écran **Network Map** (Carte réseau). Cliquez ensuite sur **Eject USB 3.0 / 2.0** (Éjecter le périphérique USB 3.0 / 2.0).
 - Une mauvaise éjection du périphérique de stockage peut endommager les données contenues sur le disque.
 - Pour consulter la liste des systèmes de fichiers et de partitions de disques supportés par le routeur sans fil, visitez le site <http://event.asus.com/networks/disksupport>
 - Pour consulter la liste des imprimantes supportées par le routeur sans fil, visitez le site <http://event.asus.com/networks/printersupport>
-

Installer votre routeur

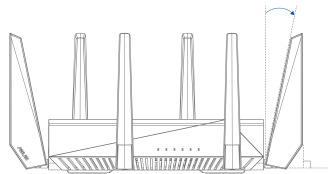
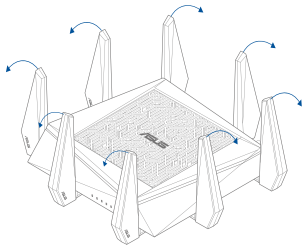


IMPORTANT: avant d'installer votre routeur, assurez-vous que votre connexion Internet est active.

1. Positionner le routeur sans fil.

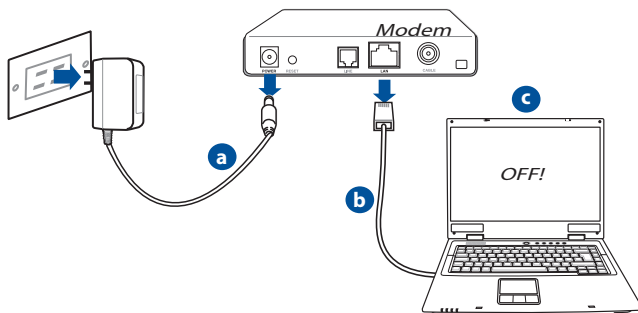
Pour optimiser la transmission du signal sans fil entre votre routeur et les périphériques réseau y étant connecté, veuillez vous assurer des points suivants:

- Placez le routeur sans fil dans un emplacement central pour obtenir une couverture sans fil optimale.
- Maintenez le routeur à distance des obstructions métalliques et des rayons du soleil.
- Maintenez le routeur à distance d'appareils ne fonctionnant qu'avec les standards/fréquences Wi-Fi 802.11g ou 20MHz, les périphériques 2.4GHz et Bluetooth, les téléphones sans fil, les transformateurs électriques, les moteurs à service intense, les lumières fluorescentes, les micro-ondes, les réfrigérateurs et autres équipements industriels pour éviter les interférences ou les pertes de signal sans fil.
- Mettez toujours le routeur à jour dans la version de firmware la plus récente. Visitez le site Web d'ASUS sur <http://www.asus.com> pour consultez la liste des mises à jour.
- Pour assurer le meilleur signal Wi-Fi, orientez les huit antennes amovibles comme illustré sur le schéma ci-dessous.



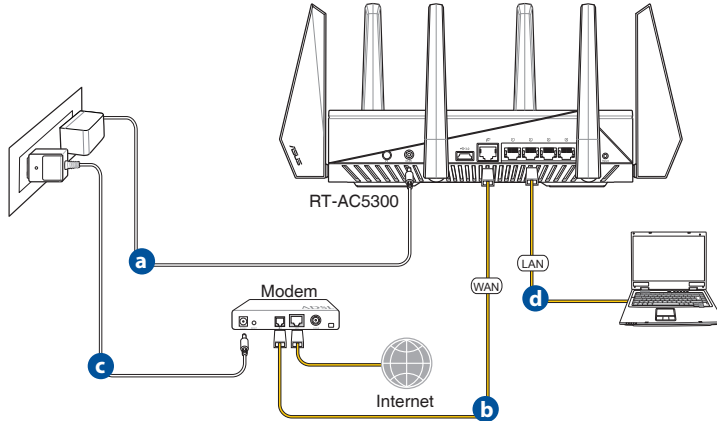
2. Préparez votre modem.

- Débranchez l'adaptateur secteur de la prise électrique et du modem câble/ADSL.
- Déconnectez le câble réseau du modem câble/ADSL.
- Redémarrez votre ordinateur (recommandé).



AVERTISSEMENT ! Avant de débrancher les câbles du modem, assurez-vous que votre modem câble/ADSL est éteint depuis au moins 2 minutes. Si votre modem possède une batterie de secours, retirez-la.

3. Préparez votre environnement réseau sans fil.



- Reliez une extrémité de l'adaptateur secteur au port d'alimentation du routeur et l'autre extrémité à une prise électrique.
- À l'aide d'un autre câble réseau, connectez votre modem au port réseau étendu (WAN) du routeur sans fil.
- Reliez une extrémité de l'adaptateur secteur au port d'alimentation du modem et l'autre extrémité à une prise électrique.
- À l'aide d'un câble réseau, connectez votre ordinateur au port réseau local (LAN) du routeur sans fil.

4. Désactivez certaines fonctionnalités de votre ordinateur.

- Désactivez le serveur proxy si celui-ci est activé.
- Configurez les paramètres TCP/IP pour l'obtention automatique d'une adresse IP.
- Désactivez la numérotation de votre connexion à distance si celle-ci existe.



REMARQUE : Pour plus de détails, consultez la section **FAQ** de ce guide.

Configuration Internet rapide

L'assistant de configuration vous aide à configurer rapidement votre connexion Internet.



REMARQUE : lors de la toute première configuration de connexion Internet, appuyez sur le bouton de réinitialisation de votre routeur sans fil pour restaurer ses paramètres par défaut.

Utilisation de l'assistant de configuration Internet :

1. Lors du premier accès à l'interface de configuration du routeur, l'assistant de configuration Internet se lance automatiquement.



REMARQUES :

- Le nom d'utilisateur et le mot de passe de connexion à l'interface de gestion du routeur sans fil sont **admin**.
- Le nom d'utilisateur et le mode passe de connexion sont différents des identifiants dédiés au SSID (2,4/5GHz) et à la clé de sécurité. Le nom d'utilisateur et le mode passe de connexion permettent d'accéder à l'interface de gestion des paramètres du routeur sans fil. Le SSID (nom du réseau sans fil) et la clé de sécurité permettent aux dispositifs sans fil de se connecter au réseau 2.4GHz/5GHz de votre routeur.

2. Le routeur sans fil détecte automatiquement si la connexion Internet fournie par votre FAI utilise une **IP dynamique** ou **statique** ou le protocole **PPPoE**, **PPTP** ou **L2TP**. Entrez les informations nécessaires en fonction de votre type de connexion.



IMPORTANT ! Vous pouvez obtenir vos informations de connexion auprès de votre FAI (Fournisseur d'accès à Internet).

Connexion à adresse IP automatique (DHCP)

Automatic IP connection setup

Host Name(optional):

MAC Address(optional): **MAC Clone**

MAC (Media Access Control) address is a unique identifier that identifies your computer or device in the network. ISPs monitor the MAC addresses of devices that connect to their services, and would disallow Internet connection for new MAC addresses. To fix this issue, you can do either of the following:

- Contact your ISP and request to update the MAC address associated with your ISP subscription. Once this is done, you can run the router's setup wizard again.
- Clone or change the MAC address of the new device to match the MAC address of the original device. If you just replaced an old router, you will find the old router's MAC address from its label. If you previously connected your computer to the modem, you will need to enter your computer's MAC address or click "MAC Clone" to clone your computer's MAC address.

Previous **Next**

Connexion utilisant le protocole PPPoE, PPTP ou L2TP

Account Setting

Please enter your username and password

User Name

Password Show password

MAC Address(optional) **MAC Clone**

Enable VPN client

Special Requirement from ISP

Previous **Next**

Internet Connection Information

Enter the account name and password from your Internet service provider.

Account Name:

Password:

User Name

Password

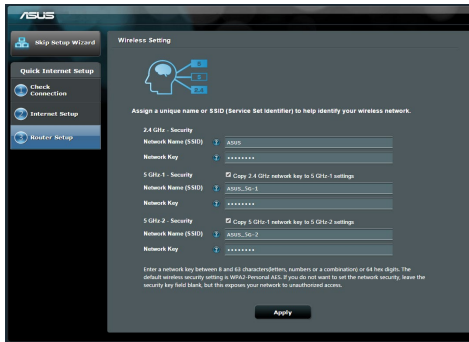
Enter the user name and password for your Internet connection information. These settings were given by your Internet Service Provider (ISP).



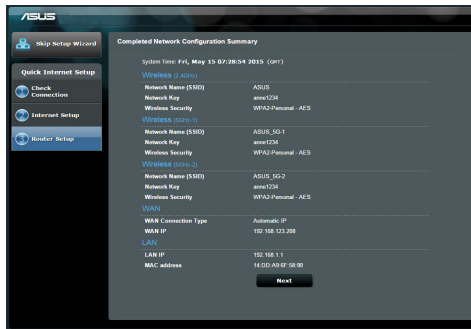
REMARQUES :

- L'auto-détection de votre type de connexion a lieu lorsque vous configurez le routeur sans fil pour la première fois ou lorsque vous restaurez les paramètres par défaut du routeur.
- Si votre type de connexion Internet n'a pas pu être détecté, cliquez sur **Skip to manual setting** (Configuration manuelle) pour configurer manuellement vos paramètres de connexion.

3. Assignez un nom au réseau (SSID) ainsi qu'une clé de sécurité pour votre connexion sans fil 2.4GHz et/ou 5 GHz. Cliquez sur **Apply** (Appliquer) une fois terminé.



4. Les paramètres de connexion Internet et sans fil apparaissent. Cliquez sur **Next** (Suivant) pour continuer.
5. Lisez le didacticiel de connexion réseau. Une fois terminé, cliquez sur **Finish** (Terminé).



Connexion à un réseau sans fil

Il existe deux méthodes de connexion de clients sans fil (ordinateurs portables, tablettes, smartphones, etc.) au réseau sans fil du RT-AC5300.

Connexion manuelle à un réseau sans fil

Pour vous connecter manuellement à un réseau sans fil :

1. Activez la fonctionnalité Wi-Fi de votre client sans fil.
2. Sélectionnez le SSID attribué au routeur.
3. Entrez le mot de passe et appuyez sur **Connect** (Connecter).

Connexion à un réseau sans fil via WPS.

Le RT-AC5300 dispose d'un bouton WPS (Wi-Fi Protected Setup) vous permettant de connecter un client au réseau sans fil géré par le routeur sans avoir à entrer le mot de passe de connexion.

Pour utiliser la fonctionnalité WPS:

1. Appuyez sur le bouton WPS situé à l'arrière du routeur. Consultez la section **Aperçu rapide** pour localiser l'emplacement de ce bouton.
2. Appuyez sur le bouton WPS du client sans fil dans un délai de 2 minutes ou suivez les instructions fournies avec le client sans fil. Lors d'une tentative de connexion WPS, le voyant d'alimentation du routeur clignote rapidement.
3. Lorsque le voyant d'alimentation s'arrête de clignoter, cela signifie que la connexion a été établie entre le routeur et le client sans fil.

AiCloud

ASUS AiCloud est une plate-forme vous permettant d'accéder à vos données à tout moment et où que vous soyez tant qu'une connexion Internet est disponible. Vous pouvez aussi utiliser l'application AiCloud à partir de votre appareil iOS ou Android pour accéder à votre compte ASUSWebstorage.

Pour installer AiCloud :

1. Assurez-vous que votre routeur dispose de la dernière version de microprogramme disponible.
2. Téléchargez l'application AiCloud Google Play ou sur l'App Store.
3. Connectez un périphérique de stockage à votre routeur. Consultez la section **Aperçu rapide** de votre RT-AC5300 pour localiser l'emplacement des ports USB.
4. Connectez votre appareil iOS ou Android au routeur via Wi-Fi. L'application AiCloud vous guidera automatiquement au travers des divers étapes de configuration.
5. Une fois terminé, vous pouvez accéder, diffuser et partager les fichiers contenus sur votre dispositif de stockage USB. Vous pouvez également accéder aux vidéos dédiées à AiCloud à partir des codes QR ci-dessous.



Google Play



App Store

Foire aux questions (FAQ)

Même après avoir suivi les instructions de ce guide, je ne parviens toujours pas à accéder au Gestionnaire de configuration du routeur.

Assurez-vous que votre proxy est désactivé et que l'adresse IP de votre ordinateur est gérée par le serveur DHCP. Pour plus de détails sur la désactivation d'un proxy, rendez-vous sur le site <http://support.asus.com>. Pour plus d'informations sur l'utilisation du serveur DHCP, consultez l'aide de votre ordinateur Windows® ou MAC.

Le client ne peut pas établir de connexion sans fil avec le routeur.

Hors de portée :

- Rapprochez le client du routeur.
- Essayez d'autres paramètres de canaux.

Authentification :

- Utilisez une connexion filaire pour vous connecter au routeur.
- Vérifiez les paramètres de sécurité sans fil.
- Appuyez sur le bouton Reset situé sur l'arrière du routeur pendant plus de 5 secondes

Routeur introuvable :

- Appuyez sur le bouton de réinitialisation situé sur l'arrière du routeur pendant plus de 5 secondes.
- Vérifiez les paramètres SSID et de chiffrement de l'adaptateur sans fil.

Impossible d'accéder à Internet via un adaptateur sans fil local.

- Rapprochez le client du routeur.
- Vérifiez que l'adaptateur sans fil est connecté au bon routeur sans fil.
- Vérifiez que le canal sans fil que vous utilisez appartient aux canaux disponibles dans votre pays/région.
- Vérifiez les paramètres de chiffrement.

- Vérifiez la connexion ADSL ou au Câble.
- Utilisez un autre câble Ethernet.

Si la LED "LINK" du modem ADSL clignote ou reste éteinte en permanence, cela signifie alors qu'il n'est pas possible d'accéder à Internet - le routeur n'est pas en mesure d'établir une connexion au réseau ADSL.

- Vérifiez que les câbles sont correctement connectés.
- Débranchez le câble d'alimentation du modem. Patientez quelques secondes, puis reconnectez le câble.
- Si la LED ADSL clignote ou reste éteinte en permanence, contactez votre fournisseur d'accès ADSL.

Nom de réseau et/ou clé de cryptage oubliés.

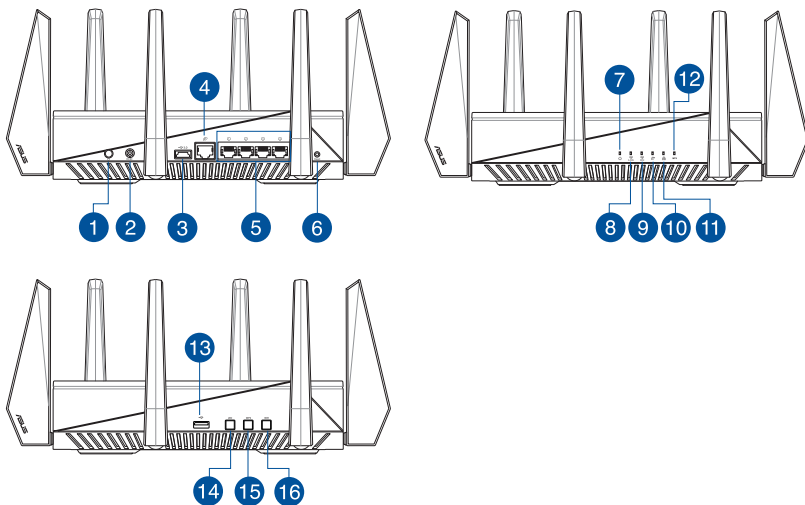
- Essayez de configurer une connexion filaire et configurez à nouveau les paramètres de chiffrement sans fil.
- Appuyez sur le bouton de réinitialisation situé sur l'arrière du routeur pendant plus de 5 secondes.
- Paramètres par défaut

| | | | | |
|------------------------------------------------------------|---------------------------------------------------------------------------------|--------------------------------------|------------------------------------------|------------------------------------------|
| Nom d'utilisateur / Mot de passe : admin / admin | Adresse IP : http://router.asus.com | Réseau de 2.4 GHz SSID : ASUS | Réseau de 5 GHz-1 SSID: ASUS_5G-1 | Réseau de 5 GHz-2 SSID: ASUS_5G-2 |
|------------------------------------------------------------|---------------------------------------------------------------------------------|--------------------------------------|------------------------------------------|------------------------------------------|

Où puis-je obtenir plus d'informations sur le routeur sans fil ?

- Manuel d'utilisation contenu dans le CD de support
- FAQ en ligne : <http://support.asus.com/faq>
- Site de support technique: <http://support.asus.com>
- Hotline : consultez la liste des centres d'appels ASUS en fin de guide.

Katsaus RT-AC5300-sovellukseen



| | |
|-------------------------|------------------------------------------------------------------------------------------------------------------------------------------------|
| 1 Virtakytin | 9 5GHz LED-valo |
| 2 Virta (DC-In)-portti | 10 WAN (Internet) LED Punainen: Ei IP:tä tai ei fyysistä yhteyttä. Valkoinen: Fyysinen yhteys suural- ueverkkoon (WAN). |
| 3 USB 3.0 portti | 11 LAN LED |
| 4 WAN (Internet) portti | 12 LED WPS |
| 5 LAN 1 ~ 4 portit | 13 USB 2.0 portti |
| 6 Nollauspainike | 14 LED Päällä/Pois -painike |
| 7 Virran LED-valo | 15 WPS-painike |
| 8 2.4GHz LED-valo | 16 Wi-Fi Päällä/Pois -painike |

Pakkauksen sisältö

- ☑ RT-AC5300
- ☑ Verkkokaapeli (RJ-45)
- ☑ Tuki-CD (käyttöopas)
- ☑ Verkkolaite
- ☑ Pikaopas



HUOMAA:

- Jos jokin nimike puuttuu tai on vahingoittunut, ota yhteys jälleenmyyjään.
- **Ulkoisen USB-kovalevy/-muistitikku:**
 - Langaton reititin toimii useimpien USB-kovalevyjen/-muistitikkujen kanssa 4TB asti ja tukee FAT16-, FAT32-, NTFS- ja HFS+ tiedostojärjestelmiä (luku ja kirjoitus).
 - Poista USB-laite turvallisesti käynnistämällä WebGUI (<http://router.asus.com>), napsauta USB-kuvaketta ja napsauta Eject USB 3.0 / USB 2.0 (Poista USB 3.0 / USB 2.0).
 - USB-laitteen poistaminen väärin voi vaurioittaa sillä olevia tietoja.
 - Luettelo langattoman reitittimen tukemista tiedostojärjestelmistä ja kovalevypartitioista löytyy osoitteesta <http://event.asus.com/networks/disksupport>
 - Luettelo langattoman reitittimen tukemista tulostimista on osoitteessa <http://event.asus.com/networks/printersupport>

Reitittimen asennus

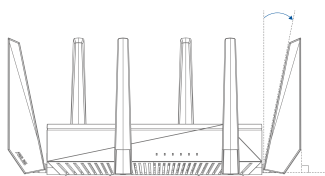
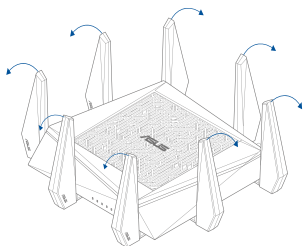


TÄRKEÄÄ: Varmista ennen reitittimen asennusta, että internet-yhteys on käytettävissä.

1. Reitittimen sijoittaminen

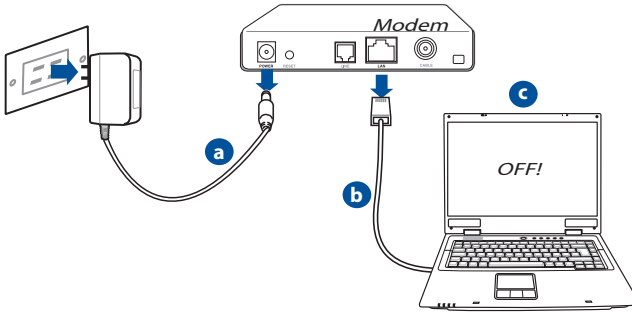
Varmistaaksesi parhaan signaalin lähetyksen langattoman reitittimen ja siihen liitettyjen verkkolaitteiden välillä, tarkista, että:

- Asetat langattoman reitittimen keskelle aluetta saadaksesi maksimipeittoalueen verkkolaitteille.
- Pidät laitteen vapaana metalliesteistä ja poissa suorasta auringonpaisteesta.
- Pidät laitteen etäällä 802.11g:n tai 20 MHz:n Wi-Fi -laitteista, 2,4 GHz:n tietokoneen oheislaitteista, Bluetooth-laitteista, langattomista puhelimista, muuntajista, raskaista moottoreista, loistelampuista, mikroaltauuneista, jääkaapeista ja muista teollisista laitteista estääksesi signaalin häiriöt tai menetyksen.
- Päivität aina uusimman laiteohjelmiston. Hae viimeisimmät laitteistopäivitykset ASUS-verkkosivuilta osoitteesta <http://www.asus.com>.
- Parhaan mahdollisen langattoman signaalin aikaansaamiseksi suuntaa 8 lisäantennia alla olevan piirroksen mukaisesti.



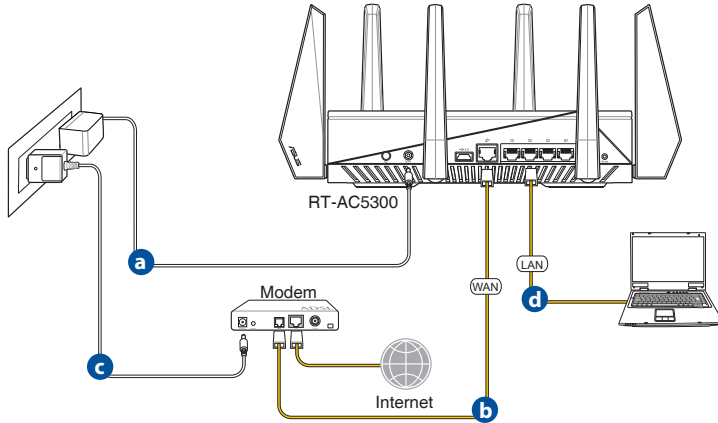
2. Valmistele modeemi.

- a: Irrota verkkolaite virtälähteestä ja irrota se kaapeli-/ADSL-modeemista.
- b: Irrota verkkokaapeli kaapeli-/ADSL-modeemista.
- c: Käynnistä tietokone uudelleen (suositus).



VAROITUS! Ennen kaapeleiden/johtojen irrotusta varmista, että kaapeli-/ADSL-modeemi on ollut pois päältä ainakin kaksi minuuttia. Jos modeemissa on vara-akku, irrota myös se.

3. Aseta langaton ympäristösi.



- Liitä langattoman reitittimen verkkolaite DC-IN-porttiin ja liitä se virtalähteeseen.
- Liitä modeemi toisella verkkokaapelilla langattoman reitittimen WAN-porttiin.
- Liitä modeemin verkkolaite DC-IN-porttiin ja liitä se virtalähteeseen.
- Liitä tietokone verkkokaapelilla langattoman reitittimen LAN-porttiin.

4. Ota asetuksia pois käytöstä.

- Ota välityspalvelin pois käytöstä, jos se on otettu käyttöön.
- Aseta TCP/IP-asetukset hakeaksesi IP-osoitteen automaattisesti.
- Ota modeemyhteys pois käytöstä, jos se on otettu käyttöön.



HUOMAA: Lisätietoa toimintojen poistamisesta käytöstä on kohdassa *Usein kysyttyä (FAQ)*.

Internet-pika-asetus (QIS) automaattisella tunnituksella

Quick Internet Setup (QIS) (Internet-pika-asetus) -toiminto ohjaa sinua internet-yhteyden nopeassa asetuksessa.



HUOMAUTUS: Kun asetat internet-yhteyttä ensimmäistä kertaa, paina langattoman reitittimen Reset (Nollaa) -painiketta nollataksesi sen tehtaan oletusasetuksiin.

QIS-toiminnon ja automaattisen tunnituksen käyttäminen:

1. Kirjaudu sisään graafiseen web-käyttöliittymään. QIS-sivu käynnistyy automaattisesti.



HUOMAUTUKSIA:

- Langattoman reitittimen graafiseen web-käyttöliittymän's sisäänkirjautumisessa käytettävä käyttäjänimi ja salasana on oletuksena **admin**.
- Langattoman reitittimen kirjautumiskäyttäjänimi ja salasana ovat erilaiset kuin 2,4 GHz / 5 GHz -verkkonimi (SSID) ja suojausavain. Langattoman reitittimen kirjautumiskäyttäjänimi ja -salasana mahdollistavat sisään kirjautumisen langattoman reitittimen graafiseen web-käyttöliittymään määrittämään langattoman reitittimen asetuksia. 2,4 GHz / 5 GHz -verkkonimi (SSID) ja suojausavain mahdollistavat Wi-Fi-laitteiden sisäänkirjautumisen ja yhteyden muodostamisen 2,4 GHz / 5 GHz -verkkoon.

2. Lagaton reititin havaitsee automaattisesti onko internet-palveluntarjoajan yhteystyyppi **Dynamic IP (Dynaaminen IP)**, **PPPoE**, **PPTP**, **L2TP** vai **Static IP (Staattinen IP)**. Näppäile tarvittavat tiedot internet-palveluntarjoajan yhteystyyppiä varten.



TÄRKEÄÄ! Hanki internet-palveluntarjoajaltasi tarvittavat tiedot internet-yhteystyyppistäsi.

Automaattista IP:tä (DHCP) varten

Automatic IP connection setup

Host Name(optional):

MAC Address(optional): **MAC Clone**

MAC (Media Access Control) address is a unique identifier that identifies your computer or device in the network. ISPs monitor the MAC addresses of devices that connect to their services, and would disallow Internet connection for new MAC addresses. To fix this issue, you can do either of the following:

- Contact your ISP and request to update the MAC address associated with your ISP subscription. Once this is done, you can run the router's setup wizard again.
- Clone or change the MAC address of the new device to match the MAC address of the original device. If you just replaced an old router, you will find the old router's MAC address from its label. If you previously connected your computer to the modem, you will need to enter your computer's MAC address or click "MAC Clone" to clone your computer's MAC address.

Previous **Next**

PPPoE:tä, PPTP:tä ja L2TP:tä varten

Account Setting

Please enter your username and password

User Name

Password Show password

MAC Address(optional) **MAC Clone**

Enable VPN client

Special Requirement from ISP

Previous **Next**

Internet Connection Information
Enter the account name and password for your Internet service provider.

Account Name

Password

User Name

Password

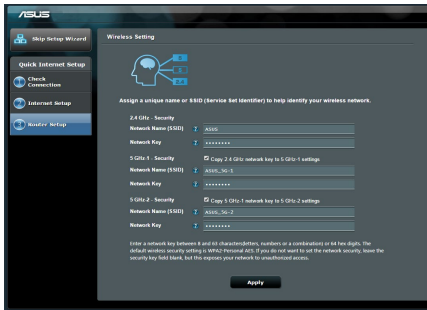
Enter the user name and password for your Internet connection information. These settings were given by your Internet Service Provider (ISP).



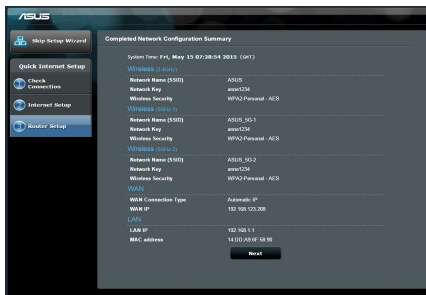
HUOMAUTUKSIA:

- Internet-palveluntarjoajan yhteystyyppin auto-detection (Automaattinen tunnistus) tapahtuu, kun määrität langattoman reitittimen ensimmäistä kertaa, tai kun langaton reititin nollataan oletusasetuksiinsa.
- Jos QIS ei onnistu tunnistamaan internet-yhteystyyppiäsi, napsauta **Skip to manual setting (Siirry manuaaliseen asetukseen)** ja määritä yhteysasetukset manuaalisesti.

3. Määritä langattoman verkon nimi (SSID) ja suojausavain langattomalle 2,4 GHz / 5 GHz -yhteydelle. Napsauta **Apply (Käytä)**, kun olet valmis.



4. Internet- ja langattomat asetukset tulevat näkyviin. Jatka napsauttamalla **Next (Seuraava)**.
5. Tutustu opetusohjelmaan langattoman verkon yhteyden muodostamisesta. Kun olet valmis, napsauta **Finish (Valmis)**.



Yhdistä langattomaan verkkoon

On kaksi tapaa yhdistää langattomat asiakkaat (kannettava, tablet-tietokone, älypuhelin jne.) langattomaan RT-AC5300-verkkoon.

Manuaalinen yhdistäminen langattomaan verkkoon

1. Manuaalinen yhdistäminen langattomaan verkkoon:

Ota langattoman asiakkaan Wi-Fi-toiminto käyttöön hakeaksesi käytettävissä olevia langattomia verkkoja.

2. Valitse SSID-tunnus tai verkkonimi, jonka olet määrittänyt RT-AC5300-verkolle.

3. Anna salasana ja napauta sitten **Connect (Yhdistä)**.

Yhdistäminen langattomaan verkkoon WPS:llä

RT-AC5300:ssa on WPS (Wi-Fi Protected Setup) -painike, jolla voit yhdistää langattoman asiakkaan RT-AC5300-verkkoon antamatta salasanaa.

Yhdistäminen langattomaan verkkoon WPS:llä:

1. Paina RT-AC5300:n takana olevaa WPS-painiketta. Katso Katsaus RT-AC5300-sovellukseen -osasta WPS-painikkeen sijainti.

2. Paina langattoman asiakkaan WPS-painiketta kahden minuutin kuluessa tai langattoman asiakkaan toimitukseen kuuluvien WPS-ohjeiden mukaisesti. Yhdistettäessä WPS:ään, reitittimen virran LED-merkkivalo vilkkuu nopeasti.

3. Odota, kunnes reitittimen virran LED-merkkivalo palaa tasaisesti osoittaen yhteyden muodostamisen onnistuneen reitittimen ja langattoman asiakkaan välillä.

Reitittimen hallinta graafisella ASUSWRT-web-käyttöliittymällä

Tämä langaton reititin on varustettu intuitiivisella graafisella ASUSWRT-web-käyttöliittymällä. ASUSWRT mahdollistaa sen useiden ominaisuuksien helpon määrittämisen web-selaimella, kuten Internet Explorerilla, Firefoxilla, Safariilla tai Google Chromella.



HUOMAUTUS: Hae käyttöliittymän alaosan hakupalkilla lisätietoja ASUKSEN teknisen tuen sivustolta <http://support.asus.com>



TÄRKEÄÄ:

- Katso käyttöoppaasta lisätietoja graafisen web-käyttöliittymän käytöstä.
- Tarkista ja päivitä laiteohjelmisto aina uusimpaan versioon varmistaaksesi parhaan toiminnan.
- Siirry ASUS-verkkotoiminta -videokanavalle katsoaksesi laitteen toimintojen opetusohjelmavideoita.



AiCloud

ASUS AiCloud -sovellus pitää sinut yhdistettynä tietoihisi missä ja milloin tahansa, kun sinulla on käytössäsi internet-yhteys. Se mahdollistaa myös ASUS WebStorage -tilin käytön AiCloud-mobiilisovelluksella iOS- tai Android-laitteella tai web-selaimella.

AiCloud-sovelluksen käyttö:

1. Varmista, että reitittimen laiteohjelmistoversio on uusin ja AiCloud-sovellusta tukeva.
2. Lataa AiCloud-sovellus Google Play- tai App Store -kaupasta.
3. Asenna USB-tallennusväline reitittimeen. **Katso Katsaus RT-AC5300-sovellukseen** -osasta USB-porttien sijainti.
4. Liitä iOS- tai Android-laite reitittimeen Wi-Fi-yhteydellä. AiCloud-sovellus opastaa sinut automaattisesti asetusprosessin läpi.
5. Voit nyt käyttää, suoratoistaa ja jakaa kaikkia USB-tallennusvälineessä olevia tiedostoja. Etsi ASUS AiCloudista saadaksesi lisätietoja. Katso opetusohjelmavideoita saadaksesi vaihe-vaiheelta -ohjeita.



Google Play



App Store

Usein kysyttyä (FAQ)

Olen noudattanut ohjeita, mutta en pääse WWW-selainpohjaiseen käyttöliittymään (WebGUI) määrittämään langattoman reitittimen asetuksia.

Varmista, että PC-tietokoneen välityspalvelinasetukset on otettu pois päältä ja PC:n IP-osoite on haettu DHCP-palvelimelta automaattisesti. Katso lisätietoja välityspalvelimen ottamisesta pois päältä ASUS-tukisivustolta osoitteesta <http://support.asus.com>. Katso lisätietoja DHCP-palvelimen käyttämisestä IP-osoitteen automaattiseen hakemiseen Windows®- tai Mac-käyttöjärjestelmän Ohjeesta.

Asiakas ei saa muodostettua langatonta yhteyttä reitittimeen.

Kantaman ulkopuolella:

- Aseta reititin lähemmäs langatonta asiakasta.
- Yritä muuttaa kanava-asetuksia.

Varmennus:

- Kytke reititin langallisen yhteyden avulla.
- Tarkasta langattoman yhteyden turvallisuusasetukset.
- Paina takapaneelissa olevaa Reset-painiketta yli viisi sekuntia.

Reititin ei löydy:

- Paina takapaneelissa olevaa Reset-painiketta yli viisi sekuntia.
- Tarkasta langattoman sovittimen kuten SSID:n asetus sekä salausasetukset.

Ei Internet-yhteyttä langattoman LAN-sovittimen kautta.

- Siirrä reititin lähemmäs langatonta asiakasta.
- Tarkista, onko langaton sovitin liitetty oikeaan langattomaan reitittimeen.
- Tarkista, vastaako käytössä oleva langaton kanava käyttömaassa/-alueella käytössä olevia kanavia.
- Tarkista salausasetukset.

- Tarkista onko ADSL- tai kaapeliyhteys toimiva.
- Yritä uudelleen käyttäen muuta Ethernet-kaapelia.

Jos ADSL:n LINK-valo vilkkuu jatkuvasti tai ei pala, Internet-yhteys ei ole mahdollinen – reititin ei voi muodostaa yhteyttä ADSL-verkkoon.

- Varmista, että kaikki kaapelit on kytketty oikein.
- Kytke ADSL:n tai kaapelimodeemin virtakaapeli irti, odota muutama minuutti ja kytke kaapeli uudelleen modeemiin.
- Jos ADSL-valo vilkkuu edelleen tai ei pala, ota yhteyttä ADSL-palveluntarjoajaasi.

Verkkonimi tai suojausavain on unohtunut.

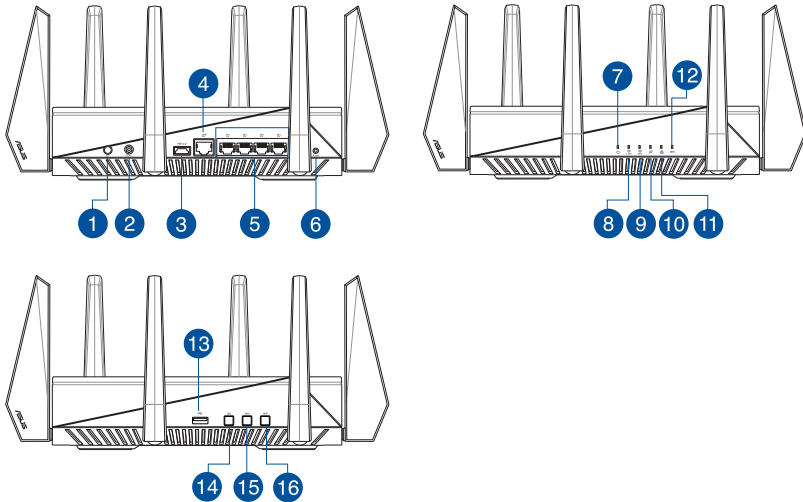
- Yritä luoda langallinen yhteys ja määrittää salausasetukset uudelleen.
- Paina nollauspainiketta yli viisi sekuntia nollataksesi tai palauttaaksesi järjestelmän tehtaan oletusasetuksiin.
- Tehtaan oletusasetukset:

| | | | | |
|-----------------------------------------------|-------------------------------------------------------------------------------|---------------------------------|--------------------------------------|--------------------------------------|
| Käyttäjänimi/Salasanana: admin / admin | IP-osoite: http://router.asus.com | 2.4GHz verkko SSID: ASUS | 5GHz-1 verkko SSID: ASUS_5G-1 | 5GHz-2 verkko SSID: ASUS_5G-2 |
|-----------------------------------------------|-------------------------------------------------------------------------------|---------------------------------|--------------------------------------|--------------------------------------|

Mistä saan lisätietoja langattomasta reitittämisestä?

- Tuki-CD-levyllä oleva Käyttäjän käsikirja
- Online-usein kysyttyä -sivusto: <http://support.asus.com/faq>
- Teknisen tuen sivusto: <http://support.asus.com>
- Tukipalvelunumero: Katso tukipalvelunumero kohdasta Supplementary Guide (Lisäopas).

Übersicht



| | |
|----------------------------|----------------------------------------------------------------------------------------------------------------------------------------------------------------|
| 1 Ein-/Austaste | 9 5-GHz-LED |
| 2 Power-(DC-IN)-Anschluss | WAN-LED (Internet) Rot: Keine IP oder keine physische Verbindung 10 An: Physische Verbindung zu einem Weitverkehrsnetzwerk (WAN) vorhanden |
| 3 USB 3.0-Anschluss | 11 LAN-LED |
| 4 WAN-Anschluss (Internet) | 12 WPS-LED |
| 5 LAN-Anschlüsse 1~4 | 13 USB 2.0-Anschluss |
| 6 Reset-Taste | 14 LED Ein-/Austaste |
| 7 Betriebs-LED | 15 WPS-Taste |
| 8 2,4-GHz-LED | 16 WLAN Ein-/Austaste |

Verpackungsinhalt

- RT-AC88U
- Netzteil
- Netzkabel (RJ-45)
- Schnellanleitung
- Support-CD (Benutzerhandbuch)



HINWEISE:

- Sollten Artikel beschädigt oder nicht vorhanden sein, wenden Sie sich an Ihren Händler.
 - **Externe USB-Festplatte/Flashlaufwerk:**
 - Der drahtlose Router läuft mit den meisten USB-Festplatten/Flashlaufwerken (bis zu 2TB) und unterstützt Lese-/Schreibzugriff in FAT16, FAT32, EXT2, EXT3 und NTFS.
 - Um USB-Datenträger sicher zu entfernen, laden Sie die Web-GUI (<http://router.asus.com>), und klicken Sie oben rechts im Fenster **Network Map (Netzwerkübersicht)** auf das USB-Symbol und dann auf **Eject USB 3,0/USB 2,0 (USB 3,0/2,0 auswerfen)**.
 - Falsches Entfernen von USB-Datenträgern kann zu Datenverlust führen.
 - Für weitere Details zu Dateisystemen und Festplattenpartitionen, die der drahtlose Router unterstützt, besuchen Sie bitte <http://event.asus.com/networks/disksupport>
 - Für weitere Details zu Druckern, die der drahtlose Router unterstützt, besuchen Sie bitte <http://event.asus.com/networks/printersupport>
-

Router installieren

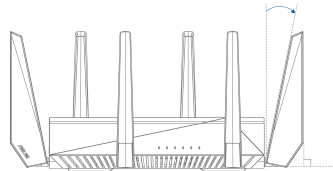
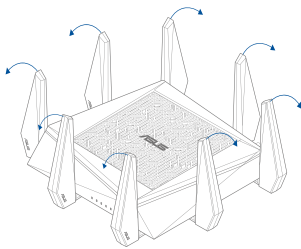


WICHTIG: Vor der Installation des Routers vergewissern Sie sich, dass die Internetverbindung verfügbar ist.

Positionierung

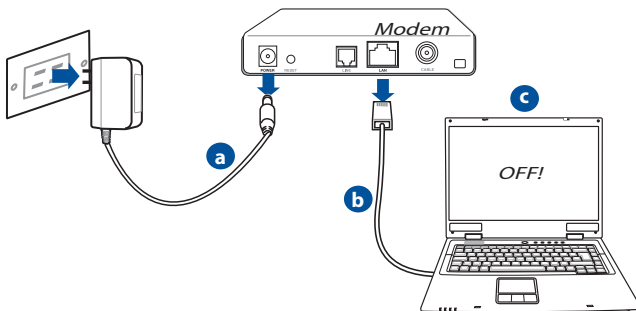
Für beste Funksignalqualität zwischen dem drahtlosen Router und der damit verbundenen Geräte, beachten Sie bitte folgende Hinweise:

- Stellen Sie das Gerät an einer zentralen Stelle auf, um eine ideale Reichweite für sämtliche drahtlose mobile Geräte zu erzielen.
- Stellen Sie sicher, dass das Gerät nicht von Metallgegenständen blockiert wird. Halten Sie das Gerät von direkter Sonneneinstrahlung fern.
- Halten Sie das Gerät von 802.11g oder nur 20MHz Wi-Fi-Geräten, 2.4GHz Computer-Peripherie, Bluetooth-Geräten, Schnurlostelefonen, Transformatoren, Hochleistungsmotoren, fluoreszierenden Leuchten, Mikrowellen, Kühlschränken und sonstigen industriellen Anlagen fern, um einen Signalverlust zu vermeiden.
- Um beste Signalabdeckung sicherzustellen, richten Sie die drei montierbare Antennen wie unten abgebildet aus.
- Halten Sie die Firmware immer auf dem neuesten Stand. Die aktuellste Firmware finden Sie auf der ASUS-Webseite unter <http://www.asus.com>.
- Für optimale Signalqualität richten Sie bitte die acht Antennen so aus, wie es in der folgenden Abbildung dargestellt ist.



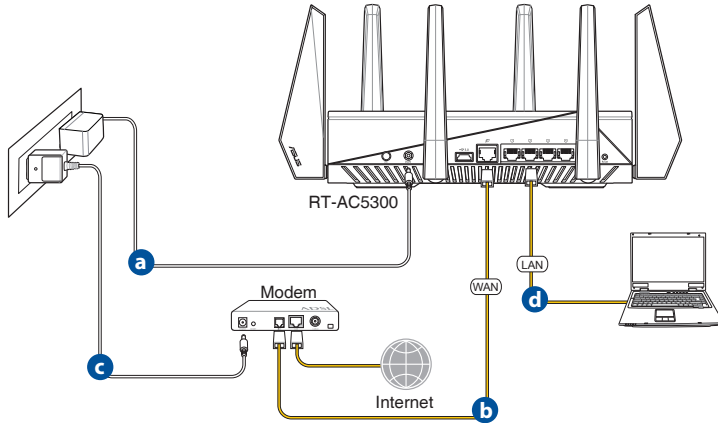
2. Modem vorbereiten

- a: Ziehen Sie den AC-Adapter aus der Steckdose und trennen Sie ihn vom Kabel/ADSL-Modem.
- b: Trennen Sie das Netzkabel vom Kabel/ADSL-Modem.
- c: Starten Sie den Computer neu (empfohlen).



WARNUNG! Bevor Sie die Kabel/Leitungen entfernen, sollte Ihr Kabel/ADSL-Modem für mindestens zwei Minuten ausgeschaltet werden. Falls Ihr Modem eine Batterie hat, entfernen Sie diese auch.

3. Richten Sie die Netzwerkkombi ein.



- a:** Verbinden Sie den AC-Adapter ihres drahtlosen Routers mit dem DC-IN-Anschluss sowie mit der Stromversorgung.
- b:** Verwenden Sie ein Netzkabel, um den Computer mit dem LAN-Anschluss Ihres drahtlosen Routers zu verbinden.
- c:** Verwenden Sie ein weiteres Netzkabel, um den Modem mit dem WAN-Anschluss Ihres drahtlosen Routers zu verbinden.
- d:** Verbinden Sie den AC-Adapter ihres Modems mit dem DC-IN-Anschluss sowie mit der Stromversorgung.

4. Deaktivieren Sie nicht benötigte Einstellungen am Computer

- a.** Deaktivieren Sie den Proxy-Server (falls aktiviert).
- b.** Stellen Sie die TCP/IP-Einstellungen auf automatische IP-Erkennung ein.
- c.** Deaktivieren Sie die DFÜ-Verbindung (falls aktiviert).



HINWEIS: Für weitere Details zur Aktivierung/Deaktivierung der Computer-Einstellungen beziehen Sie sich auf **Häufig gestellte Fragen (FAQ)**.

Quick Internet Setup (QIS) mit autom. Erkennung

Die Funktion Quick Internet Setup (QIS) führt Sie schnell durch die Einrichtung Ihrer Internetverbindung.



HINWEIS: Wenn Sie das eine Internetverbindung zum ersten Mal einrichten, drücken Sie die Reset-Taste, um den drahtlosen Router auf dessen Werkseinstellungen zurückzusetzen.

So verwenden Sie QIS mit autom. Erkennung:

1. Melden Sie sich an der grafischen Benutzeroberfläche an. Die ISE-Seite öffnet sich automatisch.



Hinweise:

- Ab Werk sind Benutzername und Kennwort zur Anmeldung an der grafischen Benutzeroberfläche Ihres WLAN-Routers auf **admin** voreingestellt.
- Benutzername und Kennwort zur Anmeldung am WLAN-Router unterscheiden sich vom 2,4-GHz/5-GHz-Netzwerkname (SSID genannt) und dem Sicherheitsschlüssel. Mit Benutzername und Kennwort können Sie sich an der grafischen Benutzeroberfläche des WLAN-Routers anmelden und die Einstellungen des Routers bequem konfigurieren. 2,4-GHz-/5-GHz-Netzwerkname (SSID) und Sicherheitsschlüssel sorgen dafür, dass sich andere WLAN-Geräte an Ihrem 2,4-GHz-/5-GHz-Netzwerk anmelden und damit verbinden können.

2. Der drahtlose Router erkennt automatisch, ob die Verbindungsart Ihres Internet Dienstanbieters (ISP) **Dynamische IP (Dynamic IP)**, **PPPoE**, **PPTP**, **L2TP** oder **Statische IP (Static IP)** ist. Geben Sie zusätzlich die nötigen Daten Ihrer Verbindung ein.



WICHTIG! Beziehen Sie die nötigen Informationen zur Ihrer Verbindungsart von Ihrem Internet-Dienstanbieter (ISP).

zur automatischen IP-Zuweisung (DHCP)

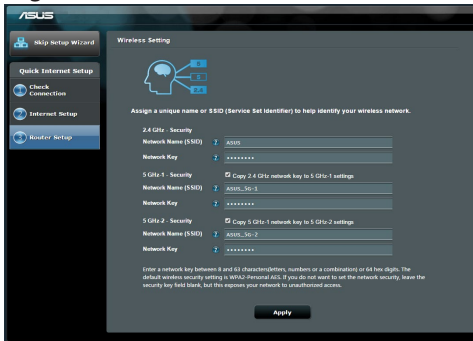
für PPPoE, PPTP und L2TP



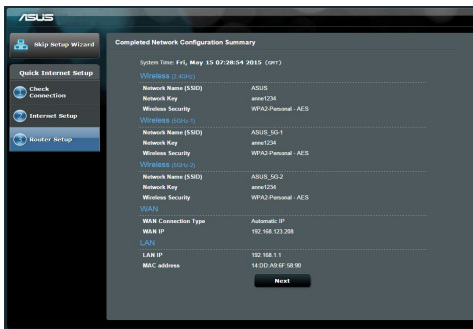
HINWEISE:

- Die autom. Erkennung der Verbindungsart Ihres ISP wird bei der ersten Konfiguration des drahtlosen Routers oder nach dem Reset (Zurücksetzen) Ihres drahtlosen Routers zu seinen Standardeinstellungen durchgeführt.
- Falls QIS Ihre Verbindungsart nicht erkennt, klicken Sie auf **Manuelle Einstellung (Skip to manual setting)**; (Siehe Abbildung in Schritt 1) und konfigurieren Sie die Verbindungseinstellungen manuell.

3. Weisen Sie einen Netzwerknamen (SSID) und einen Sicherheitsschlüssel für Ihre 2.4GHz- und 5 GHz-Drahtlosverbindung zu. Klicken Sie auf **Apply**, wenn Sie fertig sind.



4. Ihre Internet- und Drahtloseinstellungen werden angezeigt. Klicken Sie auf **Next**, um fortzufahren.
5. Lesen Sie die Drahtlosnetzwerk-Verbindungsanleitung und klicken Sie auf **Finish**, wenn Sie fertig sind.



Mit dem WLAN-Netzwerk verbinden

Mit WLAN-Geräten (beispielsweise Notebook, Tablet-PC, Smartphone etc.) können Sie sich auf zwei unterschiedliche Weisen mit dem WLAN-Netzwerk Ihres RT-AC88U verbinden.

Manuell mit dem WLAN-Netzwerk verbinden

So verbinden Sie sich manuell mit dem WLAN-Netzwerk:

1. Aktivieren Sie die WLAN-Funktion Ihres Gerätes, suchen Sie nach verfügbaren WLAN-Netzwerken.
2. Geben Sie die SSID (den Netzwerknamen) ein, die Sie Ihrem RT-AC88U-Netzwerk zugewiesen haben.
3. Geben Sie das Kennwort ein, klicken Sie anschließend auf **Connect (Verbinden)**.

Per WPS mit dem WLAN-Netzwerk verbinden

Der RT-AC88U ist mit einer WPS-Taste (Wi-Fi Protected Setup – geschützte WLAN-Einrichtung) ausgestattet, mit dem Sie WLAN-Geräte mit dem RT-AC88U-Netzwerk verbinden können, ohne ein Kennwort einzugeben.

So verbinden Sie sich per WPS mit dem WLAN-Netzwerk:

1. Drücken Sie die WPS-Taste an der Rückseite des RT-AC88U. Im Abschnitt **Ein schneller Blick auf Ihren RT-AC88U** können Sie nachschauen, wo sich die WPS-Taste genau befindet.
2. Drücken Sie die WPS-Taste Ihres WLAN-Gerätes innerhalb zwei Minuten; alternativ schauen Sie in die Anleitung des WLAN-Gerätes und führen die entsprechenden Schritte zur WPS-Anmeldung aus. Wenn eine Verbindung über WPS hergestellt wird, blinkt die Betriebsanzeige-LED Ihres Routers schnell.
3. Warten Sie, bis die Betriebsanzeige-LED des Routers wieder dauerhaft leuchtet; in diesem Fall wurde die Verbindung zwischen Router und dem externen WLAN-Gerät erfolgreich aufgebaut.

Router über die ASUSWRT-Web-Benutzeroberfläche verwalten

Ihr WLAN-Router wird mit der intuitiv bedienbaren grafischen ASUS-WRT-Web-Benutzeroberfläche geliefert. Mit ASUSWRT können Sie unterschiedlichste Merkmale ganz einfach über einen Webbrowser konfigurieren; beispielsweise mit Firefox, Google Chrome, Safari oder dem Internet Explorer.



HINWEIS: Wenn Sie Informationen vom technischen ASUS-Kundendienst (<http://support.asus.com>) benötigen, nutzen Sie einfach das Suchfeld ganz unten auf der Seite.



WICHTIG:

- Weitere Details zur Bedienung der Web-Benutzeroberfläche Ihres Routers finden Sie in der Bedienungsanleitung
- Prüfen Sie regelmäßig, ob eine neue Firmware-Version zur Verfügung steht, aktualisieren Sie in diesem Fall die Firmware baldmöglichst.
- Im ASUS-Netzwerk-Videokanal finden Sie Videoanleitungen zu unterschiedlichsten Funktionen.



AiCloud

Mit der ASUS AiCloud-App können Sie immer und überall auf ihre Daten zugreifen, sofern es eine Internetverbindung gibt. Zusätzlich können Sie über die mobile AiCloud-App mit Android- oder iOS-Geräten oder mit einem normalen Webbrowser auch auf Ihr ASUS WebStorage-Konto zugreifen.

So installieren Sie AiCloud:

1. Vergewissern Sie sich, dass die Firmware Ihres Routers aktuell ist und AiCloud unterstützt.
2. Laden Sie die AiCloud-App von Google Play oder im App Store herunter.
3. Schließen Sie ein USB-Speichergerät an den Router an. Im Abschnitt **Übersicht** können Sie nachschauen, wo sich die USB-Ports genau befinden.
4. Verbinden Sie Ihr Android- oder iOS-Gerät per WLAN mit dem Router. Die AiCloud-App führt Sie durch die Einrichtung.
5. Nun können Sie auf sämtliche Dateien Ihres USB-Speichergerätes zugreifen, diese streamen und freigeben. Weitere Informationen finden Sie, wenn Sie in der ASUS AiCloud suchen. Schritt-für-Schritt-Anleitungen finden Sie in den Videoanleitungen.



Google Play



App Store

Häufig gestellte Fragen (FAQ)

Nachdem ich den Anweisungen folgte, kann ich immer noch nicht auf die web GUI zugreifen, um die Einstellungen des drahtlosen Routers zu konfigurieren.

Vergewissern Sie sich, dass die Proxyeinstellungen Ihres PCs deaktiviert sind und der PC seine IP-Adresse automatisch vom DHCP-Server bezieht. Detaillierte Hinweise zum Deaktivieren der Proxyeinstellungen finden Sie auf den ASUS-Kundendienstseiten: <http://support.asus.com>. Weitere Informationen zum Einsatz des DHCP-Servers zur automatischen Vergabe von IP-Adressen finden Sie in den systeminternen Hilfsdokumenten Ihres Windows®- oder Mac-Betriebssystems.

Der Client kann keine drahtlose Verbindung mit dem Router herstellen.

Außerhalb der Reichweite:

- Stellen Sie den Router näher an den drahtlosen Client.
- Versuchen Sie, die Kanaleinstellungen zu ändern.

Authentifizierung:

- Stellen Sie eine Kabelverbindung mit dem Router her.
- Prüfen Sie die drahtlosen Sicherheitseinstellungen.
- Drücken Sie die Reset-Taste an der Rückseite für mindestens fünf Sekunden

Der Router wird nicht erkannt.

- Drücken Sie die Reset-Taste an der Rückseite für mindestens fünf Sekunden.
- Prüfen Sie die Einstellung am drahtlosen Adapter wie z.B. die SSID- und Verschlüsselungseinstellungen.

Es kann keine Verbindung mit dem Internet über den Drahtlos-LAN-Adapter hergestellt werden.

- Stellen Sie den Router näher an den drahtlosen Client.
- Prüfen Sie, ob der drahtlose Adapter mit dem richtigen drahtlosen Router verbunden ist.
- Prüfen Sie, ob der verwendete Funkkanal konform mit den verfügbaren Kanälen in Ihrem Land/Ihrer Region ist.
- Prüfen Sie die Verschlüsselungseinstellungen.

- Prüfen Sie, ob die ADSL- oder Kabelverbindung richtig ist.
- Verwenden Sie ein anderes Ethernet-Kabel und versuchen es erneut.

Wenn die LED „Link“ am ADSL-Modem fortwährend blinkt oder erlischt, ist das Internet nicht zugänglich - der Router kann keine Verbindung mit dem ADSL-Netzwerk herstellen.

- Stellen Sie sicher, dass sämtliche Kabel richtig verbunden sind.
- Trennen Sie das Netzkabel von dem ADSL- oder Kabel-Modem, warten für ein paar Minuten und schließen das Kabel wieder an.
- Falls die LED am ADSL-Modem weiterhin nur blinkt oder erlischt, wenden Sie sich bitte an Ihren ADSL-Dienstleister.

Der Netzwerkname oder das Verschlüsselungskennwort wurde vergessen.

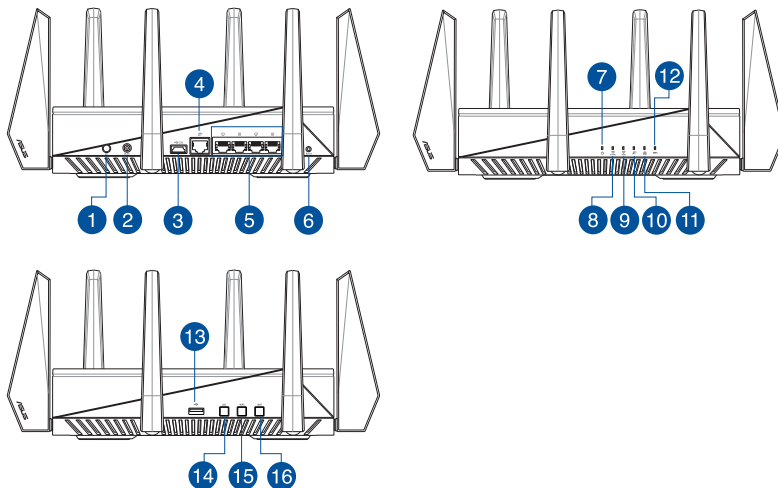
- Versuchen Sie, eine Kabelverbindung herzustellen und die Drahtlos-Verschlüsselung erneut zu konfigurieren.
- Drücken Sie die Reset-Taste an der Rückseite für mindestens fünf Sekunden.
- Werkseinstellungen

| | | | | |
|-----------------------------------------------------|-----------------------------------------------------------------------------------|---------------------------------------|--------------------------------------------|--------------------------------------------|
| Benutzerhandbuch/ Passwort: admin / admin | IP-Adresse: http://router.asus.com | 2.4 GHz-Netzwerk SSID: ASUS | 5 GHz-1 Netzwerk SSID: ASUS_5G-1 | 5 GHz-2 Netzwerk SSID: ASUS_5G-2 |
|-----------------------------------------------------|-----------------------------------------------------------------------------------|---------------------------------------|--------------------------------------------|--------------------------------------------|

Wo kann ich weitere Informationen über den drahtlosen Router erhalten?

- Benutzerhandbuch auf der Support-CD
- Online FAQ: <http://support.asus.com/faq>
- Technische Unterstützung: <http://support.asus.com>
- Kunden-Hotline: Beziehen Sie sich auf die Support-Hotline in dieser Schnellstarthilfe.

Μια γρήγορη ματιά



| | | | |
|---|--------------------------------------|----|------------------------------------------------------------------------------------------------------------------------------------------------------|
| 1 | διακόπτης λειτουργίας | 9 | Λυχνία LED 5.GHz |
| 2 | Είσοδος τροφοδοσίας ρεύματος (DC-IN) | 10 | WAN (Internet) Λυχνία LED Κόκκινο: Δεν υπάρχει IP ή φυσική σύνδεση. Λευκό: Έχει φυσική σύνδεση σε δίκτυο ευρείας περιοχής (WAN). |
| 3 | USB 3.0 Θύρες | 11 | Λυχνίες LED LAN |
| 4 | WAN (Internet) κουμπί | 12 | WPS LED |
| 5 | LAN 1 ~ 4 Θύρες | 13 | USB 2.0 port |
| 6 | Κουμπί επαναφοράς | 14 | Κουμπί LED On/Off (Ενεργ./Απενεργ.) |
| 7 | Λυχνία LED Τροφοδοσίας | 15 | WPS κουμπί |
| 8 | Λυχνία LED 2.4GHz | 16 | Κουμπί Wi/Fi On/Off (Ενεργ./Απενεργ.) |

Περιεχόμενα συσκευασίας

- RT-AC5300
- Μετασχηματιστής ρεύματος
- Καλωδιακού δικτύου (RJ-45)
- Οδηγός Γρήγορης Έναρξης
- CD Υποστήριξης (εγχειρίδιο)



ΣΗΜΕΙΩΣΕΙΣ:

- Εάν απουσιάζει ή εμφανίζει βλάβη οποιοδήποτε από τα στοιχεία, επικοινωνήστε με το κατάστημα λιανικής πώλησης.
- **Εξωτερικός σκληρός δίσκος/Flash USB:**
 - Ο ασύρματος δρομολογητής λειτουργεί με τους περισσότερους σκληρούς δίσκους (HDD)/Flash USB μεγέθους έως 2TB και υποστηρίζει πρόσβαση για ανάγνωση-εγγραφή για συστήματα FAT16, FAT32, EXT2, EXT3 και NTFS.
 - Για να αφαιρέσετε με ασφάλεια το δίσκο USB, συνδεθείτε στη διαδικτυακή διεπαφή χρήστη (web GUI) (<http://router.asus.com>) και στην πάνω δεξιά γωνία της σελίδας **Network Map (Χάρτης δικτύου)** κάντε κλικ στο εικονίδιο USB και στη συνέχεια στο **Eject USB 3.0 / USB 2.0 (Εξαγωγή USB 3.0 / USB 2.0)**.
 - Η εσφαλμένη αφαίρεση του δίσκου USB ενδέχεται να προκαλέσει καταστροφή δεδομένων.
 - Για τη λίστα των συστημάτων αρχείων και της διαμερισματοποίησης σκληρών δίσκων που υποστηρίζει ο ασύρματος δρομολογητής, επισκεφτείτε τη διεύθυνση <http://event.asus.com/networks/disksupport>
 - Για τη λίστα των εκτυπωτών που υποστηρίζει ο ασύρματος δρομολογητής, επισκεφτείτε τη διεύθυνση <http://event.asus.com/networks/printersupport>

Εγκατάσταση του δρομολογητή

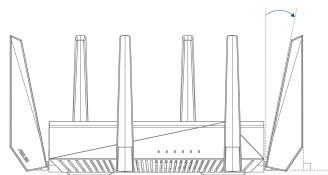
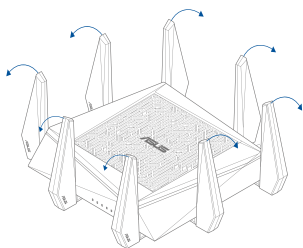


ΣΗΜΑΝΤΙΚΟ: Πριν εγκαταστήσετε το δρομολογητή, βεβαιωθείτε ότι υπάρχει διαθέσιμη σύνδεση στο Internet .

1. Τοποθέτηση του δρομολογητή σας.

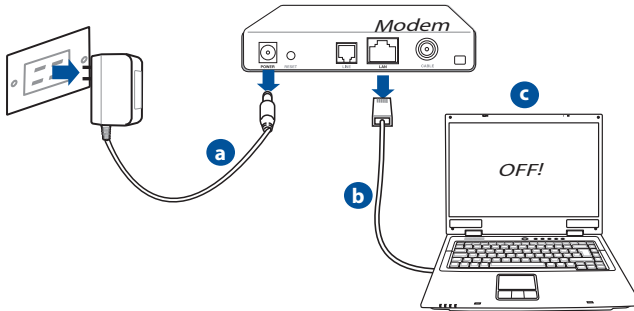
Για τη βέλτιστη δυνατή ασύρματη μετάδοση του σήματος μεταξύ του ασύρματου δρομολογητή και των συσκευών του δικτύου που είναι συνδεδεμένες σε αυτόν, σιγουρευτείτε ότι:

- Έχετε τοποθετήσει τον ασύρματο δρομολογητή σε μια κεντρική περιοχή για μέγιστη ασύρματη κάλυψη για τις συσκευές του δικτύου.
- Διατηρείτε τη συσκευή μακριά από μεταλλικά εμπόδια και μακριά από άμεσο ηλιακό φως.
- Διατηρείτε τη συσκευή μακριά από συσκευές Wi-Fi 802.11g ή 20MHz, περιφερειακές συσκευές υπολογιστών 2.4GHz, συσκευές Bluetooth, ασύρματα τηλέφωνα, μετασχηματιστές, κινητήρες βαριάς χρήσης, λαμπτήρες φθορισμού, φούρνους μικροκυμάτων, ψυγεία και άλλες βιομηχανικές συσκευές για αποφυγή παρεμβολών ή απώλειας σήματος.
- Ενημερώνετε πάντα με την πιο πρόσφατη έκδοση υλικολογισμικού. Επισκεφτείτε τον ιστότοπο της ASUS στη διεύθυνση <http://www.asus.com> για τις πιο πρόσφατες ενημερώσεις υλικολογισμικού.
- Για να διασφαλίσετε ότι το ασύρματο σήμα θα είναι το καλύτερο δυνατό, προσανατολίστε τις 8 κεραίες όπως απεικονίζεται στο παρακάτω σχήμα



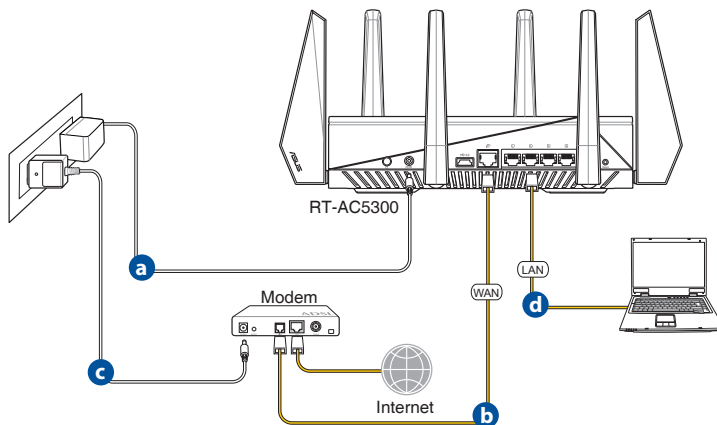
2. Προετοιμάστε το μόντεμ.

- α:** Βγάλτε από την πρίζα τον προσαρμογέα AC και αποσυνδέστε τον από το καλωδιακό/ADSL μόντεμ.
- β:** Αποσυνδέστε το καλώδιο δικτύου από το καλωδιακό/ADSL μόντεμ.
- γ:** Επανεκκινήστε τον υπολογιστή (συνιστάται).



ΠΡΟΕΙΔΟΠΟΙΗΣΗ! Πριν αποσυνδέσετε τα καλώδια βεβαιωθείτε ότι το καλωδιακό/ADSL μόντεμ έχει απενεργοποιηθεί για τουλάχιστον δύο λεπτά. Αν το μόντεμ διαθέτει εφεδρική μπαταρία, αφαιρέστε την επίσης.

3. Εγκαταστήστε το ασύρματο περιβάλλον.



- α. Συνδέστε τον προσαρμογέα AC του ασύρματου δρομολογητή στη θύρα εισόδου DC και σε μια πρίζα ρεύματος.
- β. Χρησιμοποιήστε ένα άλλο καλώδιο δικτύου για να συνδέσετε το μόντεμ στη θύρα WAN του ασύρματου δρομολογητή.
- γ. Συνδέστε τον προσαρμογέα AC του μόντεμ στη θύρα εισόδου DC και σε μια πρίζα ρεύματος.
- δ. Χρησιμοποιήστε το καλώδιο δικτύου για να συνδέσετε τον υπολογιστή στη θύρα LAN του ασύρματου δρομολογητή.

4. Απενεργοποιήστε μερικές ρυθμίσεις στον υπολογιστή σας.

- α. Απενεργοποιήστε το διακομιστή μεσολάβησης, αν είναι ενεργοποιημένος.
- β. Ορίστε τις ρυθμίσεις TCP/IP για αυτόματη απόδοση διεύθυνσης IP.
- γ. Απενεργοποιήστε τη σύνδεση μέσω τηλεφώνου, αν είναι ενεργοποιημένη.



ΣΗΜΕΙΩΣΗ: Για περισσότερες λεπτομέρειες σχετικά με την απενεργοποίηση των ρυθμίσεων του υπολογιστή σας, ανατρέξτε στις **Συχνές ερωτήσεις (FAQ)**.

Γρήγορη εγκατάσταση Internet (Quick Internet Setup - QIS) με αυτόματη ανίχνευση

Η λειτουργία γρήγορης εγκατάστασης Internet (QIS) σας καθοδηγεί στη γρήγορη εγκατάσταση της σύνδεσης στο Internet.



ΣΗΜΕΙΩΣΗ: Όταν ρυθμίζετε τη σύνδεση στο Internet **για πρώτη φορά**, πατήστε το **Κουμπί επαναφοράς** στον ασύρματο δρομολογητή για να τον επαναφέρετε στις προεπιλεγμένες εργοστασιακές ρυθμίσεις.

Για να χρησιμοποιήσετε την αυτόματη ανίχνευση QIS:

1. Σύνδεση στο Web GUI. Η σελίδα QIS εκκινεί αυτόματα.



ΣΗΜΕΙΩΣΕΙΣ:

- Από προεπιλογή, το όνομα χρήστη και ο κωδικός πρόσβασης για το Web GUI του ασύρματου δρομολογητή είναι **admin**.
- Το όνομα χρήστη και ο κωδικός πρόσβασης για τον ασύρματο δρομολογητή είναι διαφορετικά από το όνομα δικτύου (SSID) και το κλειδί ασφαλείας του 2.4 GHz/5 GHz. Το όνομα χρήστη και ο κωδικός πρόσβασης του ασύρματου δρομολογητή σας επιτρέπει να συνδεθείτε στο Web GUI του δρομολογητή για να διαμορφώσετε τις ρυθμίσεις του ασύρματου δρομολογητή. Το όνομα δικτύου (SSID) και το κλειδί ασφαλείας του 2.4 GHz/5 GHz επιτρέπει τις συσκευές Wi-Fi να συνδεθούν στο δίκτυο 2.4 GHz/5 GHz.

2. Ο ασύρματος δρομολογητής ανιχνεύει αυτόματα αν ο τύπος της σύνδεσης με τον ISP είναι **Dynamic IP (Δυναμική IP)**, **PPPoE**, **PPTP**, **L2TP** και **Static IP (Στατική IP)**. Πληκτρολογήστε τις απαραίτητες πληροφορίες για τον τύπο σύνδεσης με τον ISP.



ΣΗΜΑΝΤΙΚΟ! Μπορείτε να λάβετε τις απαραίτητες πληροφορίες για τη σύνδεσή σας στο Internet από τον ISP.

για Αυτόματο IP (DHCP)

ASUS

Skip Setup Wizard

Quick Internet Setup

Check Connection

Internet Setup

Router Setup

Automatic IP connection setup

Host Name(optional):

MAC Address(optional)

MAC Clone

MAC (Media Access Control) address is a unique identifier that identifies your computer or device in the network. ISPs monitor the MAC addresses of devices that connect to their services, and would disallow Internet connection for new MAC addresses. To fix this issue, you can do either of the following:

- Contact your ISP and request to update the MAC address associated with your ISP subscription. Once this is done, you can run the router's setup wizard again.
- Clone or change the MAC address of the new device to match the MAC address of the original device. If you just replaced an old router, you will find the old router's MAC address from its label. If you previously connected your computer to the modem, you will need to enter your computer's MAC address or click "MAC Clone" to clone your computer's MAC address.

Previous Next

για PPPoE, PPTP και L2TP

ASUS

Skip Setup Wizard

Quick Internet Setup

Check Connection

Internet Setup

Router Setup

Account Setting

Please enter your username and password

User Name

Password

Show password

MAC Address(optional)

MAC Clone

Enable VPN client

Special Requirement from ISP

Previous Next

Internet Connection Information

Enter the account name and password for your Internet service provider.

Account Name

Password

User Name

Password

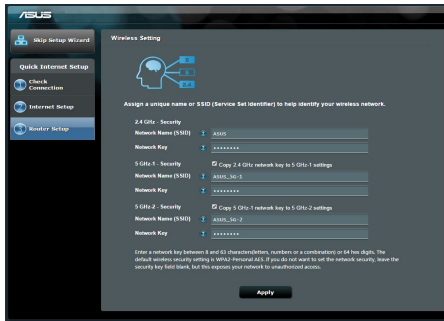
Enter the user name and password for your Internet connection information. These settings were given by your Internet Service Provider (ISP).



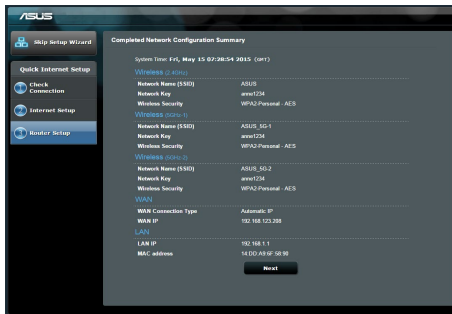
ΣΗΜΕΙΩΣΕΙΣ:

- The auto-detection of your ISP connection type takes place when you configure the wireless router for the first time or when your wireless router is reset to its default settings.
- If QIS failed to detect your Internet connection type, click **Skip to manual setting** and manually configure your connection settings.

3. Εγκωρώστε το όνομα δικτύου (SSID) και το κλειδί ασφαλείας για την ασύρματη σύνδεση 2.4GHz και 5 GHz. Κάντε κλικ στο **Apply (Εφαρμογή)** όταν τελειώσετε.



4. Εμφανίζονται οι ρυθμίσεις του Internet και του ασύρματου δικτύου. Κάντε κλικ στο **Next (Επόμενο)** για να συνεχίσετε.
5. Διαβάστε το βοήθημα για τη σύνδεση ασύρματου δικτύου. Όταν τελειώσετε, κάντε κλικ στο **Finish (Τέλος)**.



Σύνδεση στο ασύρματο δίκτυο

Υπάρχουν δύο τρόποι σύνδεσης των ασύρματων συσκευών – πελατών (notebook, tablet PC, smartphone κ.α.) στο ασύρματο δίκτυο του RT-AC5300.

Μη αυτόματη σύνδεση στο ασύρματο δίκτυο

Για μη αυτόματη σύνδεση στο ασύρματο δίκτυο:

1. Ενεργοποιήστε τη λειτουργία Wi-Fi στην ασύρματη συσκευή-πελάτη για να σαρώσετε για ασύρματα δίκτυα.
2. Επιλέξτε το SSID ή το όνομα δικτύου που εκχωρήσατε στο δίκτυο του RT-AC5300.
3. Πληκτρολογήστε τον κωδικό πρόσβασης και κάντε κλικ στο **Connect (Σύνδεση)**.

Σύνδεση στο ασύρματο δίκτυο μέσω WPS

Το RT-AC5300 διαθέτει ένα κουμπί WPS (Wi-Fi Protected Setup - Εγκατάσταση προστατευμένου Wi-Fi) για να συνδέετε την ασύρματη συσκευή-πελάτη στο δίκτυο του RT-AC5300 χωρίς να απαιτείται κωδικός πρόσβασης.

Για σύνδεση στο ασύρματο δίκτυο μέσω του WPS:

1. Πατήστε το κουμπί WPS στην πίσω πλευρά του RT-AC5300. Ανατρέξτε στην ενότητα **Μια γρήγορη ματιά στο RT-AC5300** για τον εντοπισμό του κουμπιού WPS.
2. Πατήστε το κουμπί WPS στην ασύρματη συσκευή-πελάτη μέσα σε δύο λεπτά ή ακολουθήστε τις οδηγίες για το WPS που συνοδεύουν την ασύρματη συσκευή. Κατά τη σύνδεση μέσω WPS, η λυχνία LED ένδειξης Ισχύος του δρομολογητή αναβοσβήνει γρήγορα.
3. Περιμένετε μέχρις ότου η λυχνία LED ένδειξης ισχύος ανάψει με πράσινο χρώμα γεγονός που υποδεικνύει επιτυχή σύνδεση μεταξύ του δρομολογητή και του ασύρματου πελάτη.

Διαχείριση του δρομολογητή μέσω του γραφικού περιβάλλοντος web του ASUSWRT

Ο ασύρματος δρομολογητής παρέχεται με το γραφικό περιβάλλον web ASUSWRT. Το ASUSWRT σας επιτρέπει να διαμορφώνετε εύκολα τις διάφορες λειτουργίες μέσω μιας εφαρμογής περιήγησης στο web όπως Internet Explorer, Firefox, Safari ή Google Chrome.



ΣΗΜΕΙΩΣΗ: Χρησιμοποιήστε τη γραμμή αναζήτησης στο κάτω μέρος της διεπαφής για να λάβετε περισσότερες πληροφορίες από τον ιστότοπο τεχνικής υποστήριξης της ASUS <http://support.asus.com>



ΣΗΜΑΝΤΙΚΟ:

- Για περισσότερες λεπτομέρειες για τη χρήση του γραφικού περιβάλλοντος web του δρομολογητή, ανατρέξτε στο εγχειρίδιο χρήστη.
- Ελέγχετε πάντα και αναβαθμίζετε το υλικολογισμικό στην νεότερη έκδοση για καλύτερη εμπειρία χρήσης.
- Επισκεφτείτε το κανάλι βίντεο του ASUS Networking για εκπαιδευτικά βίντεο που αφορούν διάφορες λειτουργίες.



AiCloud

Η εφαρμογή ASUS AiCloud σας παρέχει πρόσβαση στα δεδομένα σας όποτε και όπου κι αν διαθέτετε σύνδεση στο Internet. Σας επιτρέπει επίσης να αποκτάτε πρόσβαση στο λογαριασμό σας ASUS WebStorage μέσω της φορητής εφαρμογής AiCloud από τη συσκευή σας με λειτουργικό σύστημα iOS ή Android, μέσω μιας εφαρμογής περιήγησης στο web.

Για να εγκαταστήσετε το AiCloud:

1. Βεβαιωθείτε ότι η έκδοση υλικολογισμικού του δρομολογητή σας είναι η νεότερη και υποστηρίζει το AiCloud.
2. Πραγματοποιήστε λήψη της εφαρμογής AiCloud από το Google Play ή από το App Store.
3. Εγκαταστήστε τη συσκευή αποθήκευσης USB στο δρομολογητή. Ανατρέξτε στην ενότητα **Μια γρήγορη ματιά στο RT-AC5300** για τον εντοπισμό των θύρων USB.
4. Συνδέστε τη συσκευή σας iOS ή Android στο δρομολογητή μέσω Wi-Fi. Η εφαρμογή AiCloud θα σας καθοδηγήσει αυτόματα στη διαδικασία εγκατάστασης.
5. Μπορείτε τώρα να αποκτήσετε πρόσβαση, να πραγματοποιήσετε ροή και να μοιραστείτε τα αρχεία σας στη συσκευή αποθήκευσης USB. Πραγματοποιήστε αναζήτηση για το ASUS AiCloud για περισσότερες πληροφορίες. Παρακολουθήστε εκπαιδευτικά βίντεο για καθοδήγηση βήμα-προς-βήμα.



Google Play



App Store

Συχνές ερωτήσεις (FAQ)

Αφού ακολούθησα τα βήματα, συνεχίζω να μην έχω πρόσβαση στη γραφική διαδίκτυακή διεπαφή χρήστη (web GUI) του ασύρματου δρομολογητή για να διαμορφώσω τις ρυθμίσεις του ασύρματου δρομολογητή.

Βεβαιωθείτε ότι οι ρυθμίσεις του διακομιστή μεσολάβησης του Η/Υ είναι απενεργοποιημένες και ότι η διεύθυνση IP του Η/Υ λαμβάνεται αυτόματα από το διακομιστή DHCP. Για πληροφορίες σχετικά με την απενεργοποίηση των ρυθμίσεων του διακομιστή μεσολάβησης, επισκεφτείτε τον ιστότοπο υποστήριξης της ASUS στη διεύθυνση <http://support.asus.com>. Για πληροφορίες σχετικά με τη χρήση του διακομιστή DHCP για αυτόματη λήψη διευθύνσεων IP, ανατρέξτε στη βοήθεια του λειτουργικού συστήματος Windows® ή Mac.

Η συσκευή-πελάτης του δικτύου δεν μπορεί να δημιουργήσει ασύρματη σύνδεση με το δρομολογητή.

Εκτός εύρους:

- Τοποθετήστε το δρομολογητή πιο κοντά στον ασύρματο πελάτη.
- Προσπαθήστε να αλλάξετε τις ρυθμίσεις των καναλιών.

Έλεγχος ταυτότητας:

- Δημιουργήστε ενσύρματη σύνδεση με το δρομολογητή.
- Ελέγξτε τις ρυθμίσεις ασφάλειας ασύρματου δικτύου.
- Πατήστε το κουμπί Επαναφοράς στην πίσω πλευρά για περισσότερο από πέντε δευτερόλεπτα.

Δεν είναι δυνατή η εύρεση του δρομολογητή:

- Πατήστε το κουμπί Επαναφοράς στην πίσω πλευρά για περισσότερο από πέντε δευτερόλεπτα.
- Ελέγξτε τις ρυθμίσεις του ασύρματου προσαρμογέα όπως SSID και ρυθμίσεις κρυπτογράφησης.

Δεν είναι δυνατή η πρόσβαση στο Internet μέσω προσαρμογέα ασύρματου δικτύου (LAN).

- Μετακινήστε το δρομολογητή πιο κοντά στην ασύρματη συσκευή-πελάτη.
- Ελέγξτε αν ο ασύρματος προσαρμογέας είναι συνδεδεμένος στο σωστό ασύρματο δρομολογητή.
- Ελέγξτε αν το ασύρματο κανάλι που χρησιμοποιείτε είναι συμβατό με τα διαθέσιμα κανάλια στη χώρα / περιοχή σας.
- Ελέγξτε τις ρυθμίσεις κρυπτογράφησης.

- Ελέγξτε αν είναι σωστή η Καλωδιακή ή ADSLσύνδεση.
- Προσπαθήστε ξανά χρησιμοποιώντας καλώδιο Ethernet.

Αν η λυχνία ADSL “LINK (ΖΕΥΞΗ)” αναβοσβήνει συνέχεια ή παραμένει σβηστή η πρόσβαση στο Internet δεν είναι δυνατή – ο Δρομολογητής δεν είναι δυνατό να δημιουργήσει σύνδεση με το δίκτυο ADSL.

- Σιγουρευτείτε πως όλα τα καλώδια είναι σωστά συνδεδεμένα.
- Αποσυνδέστε το καλώδιο τροφοδοσίας από το καλωδιακό ή ADSL μόντεμ, περιμένετε μερικά λεπτά και συνδέστε ξανά το καλώδιο.
- Αν η λυχνία ADSL συνεχίζει να αναβοσβήνει ή να παραμένει ΣΒΗΣΤΗ (OFF), επικοινωνήστε με το πάροχο της υπηρεσίας σας ADSL.

Έχω ξεχάσει το όνομα του δικτύου ή κλειδιά ασφαλείας.

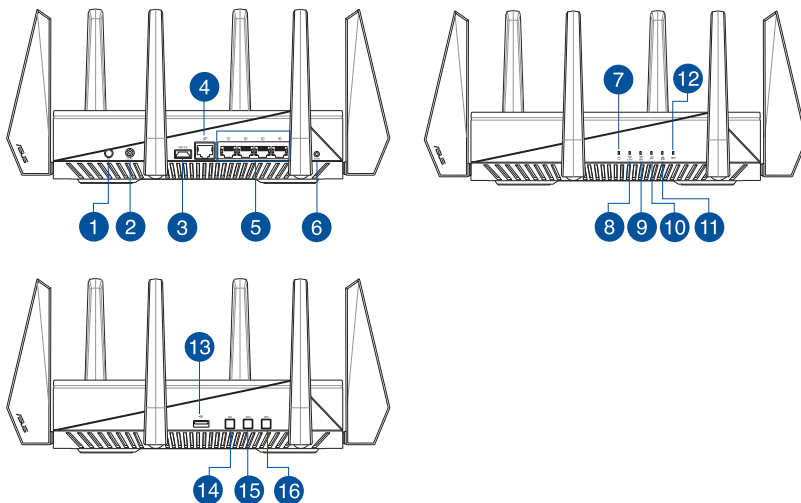
- Προσπαθήστε να δημιουργήσετε την ενσύρματη σύνδεση και να διαμορφώσετε ξανά τις ρυθμίσεις κρυπτογράφησης.
- Πατήστε το κουμπί Επαναφοράς για περισσότερο από πέντε δευτερόλεπτα για επαναφορά του δρομολογητή στις εργοστασιακές προεπιλεγμένες ρυθμίσεις.
- Εργοστασιακές προεπιλεγμένες ρυθμίσεις:

| | | | | |
|-----------------------------------------------------------|-------------------------------------------------------------------------------------|---------------------------------|--------------------------------------|--------------------------------------|
| Όνομα χρήστη / Κωδικός πρόσβασης: admin / admin | Διεύθυνση IP: http://router.asus.com | 2.4GHz δίκτυο SSID: ASUS | 5GHz-1 δίκτυο SSID: ASUS_5G-1 | 5GHz-2 δίκτυο SSID: ASUS_5G-2 |
|-----------------------------------------------------------|-------------------------------------------------------------------------------------|---------------------------------|--------------------------------------|--------------------------------------|

Πού μπορώ να βρω περισσότερες πληροφορίες για τον ασύρματο δρομολογητή;

- Εγχειρίδιο χρήστη στο CD υποστήριξης
- Ιστότοπος για Συχνές ερωτήσεις (FAQ): <http://support.asus.com/faq>
- Ιστότοπος τεχνικής υποστήριξης: <http://support.asus.com/>
- Τηλεφωνική γραμμή εξυπηρέτησης πελατών: Ανατρέξτε στην τηλεφωνική γραμμή υποστήριξης στον Συμπληρωματικό Οδηγό.

Aspetto



| | |
|----------------------------------------|---------------------------------------------------------------------------------------------------------------------------------------------|
| 1 Pulsante di accensione/spegnimento | 9 LED 5GHz |
| 2 Porta ingresso alimentazione (DC-IN) | 10 LED Internet (WAN) Rosso: Nessun indirizzo IP o connessione fisica. On: Connessione fisica alla rete Internet (WAN). |
| 3 Porta USB 3.0 | 11 LED LAN |
| 4 Porta Internet (WAN) | 12 LED WPS |
| 5 Porte LAN 1~4 | 13 Porta USB 2.0 |
| 6 Pulsante di reset | 14 Pulsante retroilluminazione |
| 7 LED alimentazione | 15 Pulsante WPS |
| 8 LED 2.4GHz | 16 Pulsante Wi-Fi |

Contenuto della confezione

- Router wireless RT-AC5300
- Adattatore AC
- Cavo di rete Ethernet (RJ-45)
- Guida rapida
- CD di supporto (Manuale utente)



NOTE:

- Contattate il vostro rivenditore nel caso in cui uno di questi articoli sia danneggiato o mancante.
 - **Hard disk esterno/memoria flash USB:**
 - Il router wireless supporta la maggior parte dei dischi USB e delle memorie flash USB (fino a 4 TB di dimensione) e supporta accesso in lettura e in scrittura sui file system FAT16, FAT32, NTFS e HFS+.
 - Per effettuare una rimozione sicura del disco USB lanciate l'interfaccia web digitando nel browser (<http://router.asus.com>). Dal pannello di navigazione andate su **General (Generale) > Network Map (Mappa di rete)**. Nell'angolo in alto a destra cliccate su **Eject USB 3.0 / USB 2.0 (Espelli USB 3.0 / USB 2.0)**.
 - Una rimozione non corretta del disco USB potrebbe causare perdite di dati.
 - Fate riferimento al sito web ASUS: <http://event.asus.com/networks/disksupport/> per ottenere l'elenco dei file system compatibili
 - Per verificare che la vostra stampante USB sia compatibile con il router wireless ASUS fate riferimento all'elenco delle stampanti supportate al seguente indirizzo: <http://event.asus.com/networks/printersupport>
-

Installazione del router

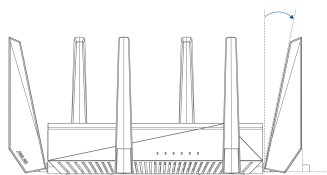
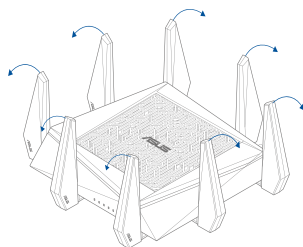


IMPORTANTE: Prima di installare il router assicuratevi che una connessione ad Internet sia disponibile.

1. Posizionamento del vostro router wireless

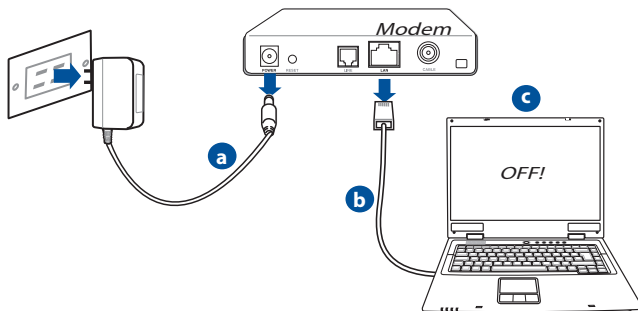
Per ottenere una migliore trasmissione del segnale tra il router wireless e i dispositivi di rete connessi assicuratevi di:

- Posizionare il router wireless il più possibile al centro della vostra area per avere una copertura globale migliore.
- Tenere lontano il router da ostacoli di metallo e dalla luce solare diretta.
- Tenere lontano da dispositivi Wi-Fi (che supportino solo 802.11g o 20Mhz), periferiche per computer a 2.4Ghz, dispositivi Bluetooth, telefoni cordless, trasformatori, motori pesanti, luci fluorescenti, forni a microonde, frigoriferi o altre attrezzature industriali per prevenire interferenze sul segnale.
- Aggiornate sempre all'ultimo firmware disponibile. Scaricate l'ultimo firmware disponibile dal sito web ASUS: <http://www.asus.com>.
- Per assicurarvi la migliore qualità del segnale wireless orientate le otto antenne rimovibili come mostrato nella figura seguente.



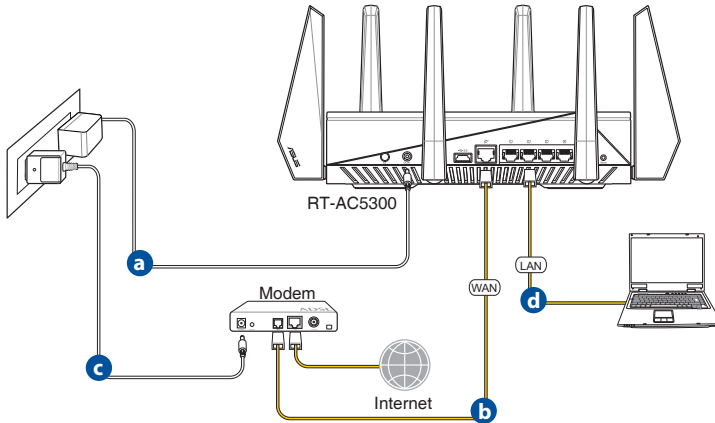
2. Preparazione del modem

- Scollegate l'adattatore AC dalla presa di corrente e, successivamente, dal vostro modem ADSL.
- Scollegate i cavi che sono al momento collegati al modem.
- Riavviate il vostro computer (raccomandato).



ATTENZIONE! Prima di scollegare i cavi assicuratevi che il modem ADSL sia stato spento per almeno due (2) minuti. Se il modem ha una batteria supplementare rimuovete anche quella.

3. Predisposizione del vostro ambiente wireless



- a. Inserite l'estremità dell'adattatore AC nella porta di ingresso dell'alimentazione del router wireless e collegate l'altra estremità ad una presa di corrente.
- b. Usando un altro cavo di rete collegate il vostro modem alla porta WAN del router wireless.
- c. Inserite l'estremità dell'adattatore AC nella porta DC-In del vostro modem e collegate l'altra estremità ad una presa di corrente.
- d. Utilizzate il cavo di rete in dotazione per collegare il vostro computer alla porta LAN del router wireless. Assicuratevi che i LED WAN e LAN stiano lampeggiando.

4. Configurazione di alcune opzioni particolari

- a. Disabilitate il server proxy (se abilitato).
- b. Configurate le impostazioni TCP/IP in modo da ottenere un indirizzo IP automaticamente.
- c. Disabilitate la connessione remota (se abilitata).



NOTA: Per maggiori dettagli su queste configurazioni fate riferimento alla sezione *Domande frequenti (FAQ)* di questo manuale.

Installazione rapida Internet (QIS) con auto-rilevamento

L'Installazione rapida Internet (QIS) vi aiuterà nella configurazione della vostra connessione a Internet.



NOTA: Prima di impostare la connessione ad Internet per la prima volta assicuratevi di aver premuto il tasto di Reset per riportare il router wireless alle impostazioni predefinite di fabbrica.

Per usare l'auto-rilevamento dell'installazione rapida:

1. Entrate nell'interfaccia web. La pagina dell'installazione rapida si carica automaticamente.



NOTE:

- Il nome utente e la password predefinite del vostro router wireless sono entrambe "admin".
- Il nome utente e la password del router wireless sono diversi dai SSID e dalle chiavi di sicurezza delle reti wireless 2.4GHz/5GHz. Il nome utente e la password del router wireless vi permettono di accedere all'interfaccia web del router per configurare le impostazioni del router. Il nome rete (SSID) delle reti 2.4GHz/5GHz e le chiavi di sicurezza permettono ai dispositivi Wi-Fi di accedere e connettersi alle reti wireless 2.4GHz/5GHz.

2. Il router è in grado di capire automaticamente se la connessione fornita dal vostro ISP è a **IP dinamico**, **PPPoE**, **PPTP** o **L2TP**. Inserite le informazioni necessarie per individuare il tipo di connessione fornita dal vostro ISP.



IMPORTANTE! Ottenete le informazioni necessarie sul tipo di connessione dal vostro ISP.

per ottenere un IP dinamico

ASUS

Skip Setup Wizard

Quick Internet Setup

Check Connection

Internet Setup

Router Setup

Automatic IP connection setup

Host Name(optional):

MAC Address(optional)

MAC Clone

MAC (Media Access Control) address is a unique identifier that identifies your computer or device in the network. ISPs monitor the MAC addresses of devices that connect to their services, and would disallow Internet connection for new MAC addresses. To fix this issue, you can do either of the following:

- Contact your ISP and request to update the MAC address associated with your ISP subscription. Once this is done, you can run the router's setup wizard again.
- Clone or change the MAC address of the new device to match the MAC address of the original device. If you just replaced an old router, you will find the old router's MAC address from its label. If you previously connected your computer to the modem, you will need to enter your computer's MAC address or click "MAC Clone" to clone your computer's MAC address.

Previous Next

per le connessioni PPPoE, PPTP e L2TP

ASUS

Skip Setup Wizard

Quick Internet Setup

Check Connection

Internet Setup

Router Setup

Account Setting

Please enter your username and password

User Name

Password

Show password

MAC Address(optional)

MAC Clone

Enable VPN client

Special Requirement from ISP

Previous Next

Internet Connection Information

Enter the account name and password for your Internet service provider.

Account Name

Password

User Name

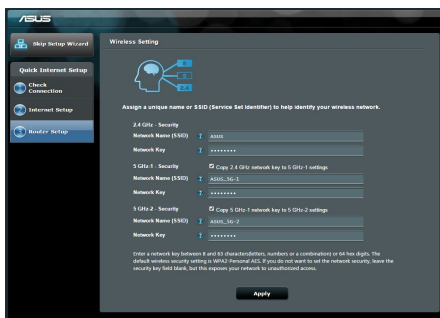
Password

Enter the user name and password for your Internet connection information. These settings were given by your Internet Service Provider (ISP).

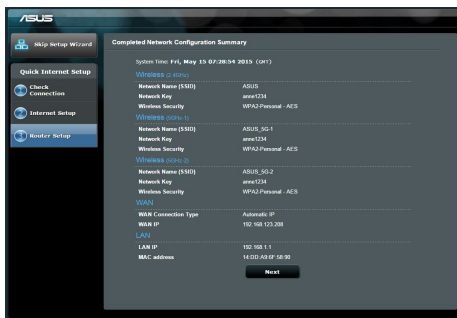
**NOTE:**

- Il rilevamento automatico dell'ISP viene attivato quando configurate il router wireless per la prima volta, o dopo aver resettato il router wireless alle impostazioni di fabbrica..
- Se l'installazione rapida Internet (QIS) fallisse cliccate su **Skip to manual setting (Configurazione manuale)** per configurare manualmente le impostazioni per la connessione ad Internet.

3. Impostate un nome della rete (SSID) e una chiave di sicurezza per le vostre reti wireless a 2.4GHz e 5GHz. Quando avete finito cliccate su **Apply (Applica)**.



4. Verranno visualizzate le vostre impostazioni Internet e wireless. Se è tutto corretto cliccate su **Next (Avanti)** per continuare.
5. Leggete la guida per la connessione alla rete wireless. Quando avete finito cliccate su **Finish (Fine)**.



Connettersi ad una rete wireless

I vostri dispositivi client (notebook, tablet PC, smartphone e così via) hanno diversi modi per connettersi alla rete wireless del router RT-AC5300.

Connessione manuale alla rete wireless

Per connettervi manualmente alla rete wireless:

1. Abilitate le funzioni Wi-Fi sul vostro dispositivo client e fate una ricerca delle reti wireless disponibili.
2. Selezionate il nome della rete (SSID) corrispondente alla rete wireless fornita dal vostro RT-AC5300.
3. Inserite la chiave di sicurezza e cliccate su **Connect (Connetti)**.

Connessione alla rete wireless tramite WPS

L'RT-AC68U è dotato di un pulsante WPS (Wi-Fi Protected Setup) che permette al vostro client wireless di collegarsi alla rete dell'RT-AC5300 senza bisogno di inserire una chiave di sicurezza.

Per connettervi alla rete wireless tramite WPS:

1. Premete il pulsante WPS che trovate sul lato sinistro dell'RT-AC5300. Per conoscere la collocazione del pulsante WPS fate riferimento alla sezione *Aspetto*.
2. Premete il pulsante WPS del vostro client wireless entro due (2) minuti o seguite le istruzioni WPS fornite con il dispositivo wireless. Quando la connessione WPS è in corso il LED WPS del router lampeggia velocemente.
3. Aspettate fino a quando il LED WPS diventa fisso. Questo indica che la connessione tra router e client wireless è stata eseguita con successo.

Gestire il router tramite l'interfaccia web ASUSWRT

Il vostro router wireless è dotato dell'interfaccia grafica intuitiva (GUI) ASUSWRT. ASUSWRT vi permette di configurare facilmente le varie opzioni tramite un browser Web come Internet Explorer, Mozilla Firefox, Safari, o Google Chrome.



NOTA: Usate la barra di ricerca nella parte inferiore dell'interfaccia per ottenere maggiori informazioni dal sito di Supporto Tecnico ASUS al seguente indirizzo: <http://www.asus.com/it/support>.



IMPORTANTE:

- Per maggiori dettagli in merito all'interfaccia web del router (GUI) fate riferimento al manuale utente.
- Controllate regolarmente la presenza di nuovi firmware e aggiornate per migliorare la vostra esperienza.
- Visitate i canali ASUS Networking per video guide sulle funzioni principali.



AiCloud

L'App ASUS AiCloud vi permette di accedere ai vostri file sempre e ovunque purché disponiate, al momento, di una connessione ad Internet. Vi permette inoltre di accedere al vostro account ASUS WebStorage tramite l'App AiCloud mobile sul vostro dispositivo iOS o Android, o tramite il browser Web.

Per installare AiCloud:

1. Assicuratevi che il firmware del vostro router sia aggiornato all'ultima versione e che supporti AiCloud.
2. Scaricate l'App AiCloud da Google Play o dall'App Store.
3. Inserite un dispositivo USB nella porta USB del vostro router. Per conoscere la collocazione delle porte USB fate riferimento alla sezione *Aspetto*.
4. Connettete il vostro dispositivo iOS o Android al router tramite WiFi. L'App AiCloud vi guiderà automaticamente durante il processo di configurazione.
5. Da questo momento potete accedere a, trasmettere e condividere tutti i file presenti nel vostro disco USB. Cercate ASUS AiCloud per avere maggiori informazioni. Guardate le video guide passo-passo.



Google Play



App Store

Domande frequenti (FAQ)

Dopo aver seguito i passaggi raccomandati non riesco ancora ad accedere all'interfaccia web (GUI) per configurare le impostazioni del router wireless.

Assicuratevi che il server proxy sia disabilitato e che il vostro PC ottenga automaticamente l'indirizzo IP dal server DHCP del router wireless. Per informazioni su come disabilitare il server proxy visitate il sito di supporto ASUS al seguente link: <http://www.asus.com/it/support>. Per avere maggiori dettagli su come usare il server DHCP per ottenere automaticamente un indirizzo IP fate riferimento alle guide del vostro sistema operativo Windows® o Mac.

Il client non riesce a stabilire una connessione wireless con il router.

Fuori portata:

- Avvicinate il router al client wireless.
- Provate a cambiare il canale wireless.

Autenticazione:

- Usate un cavo Ethernet per connettervi al router.
- Controllate le impostazioni di protezione della rete wireless.
- Premete il pulsante di reset sul pannello posteriore per più di cinque (5) secondi.

Impossibile trovare il router:

- Premete il pulsante di reset sul pannello posteriore per più di cinque (5) secondi.
- Controllate le impostazioni dell'adattatore wireless come il SSID e le impostazioni di protezione.

Impossibile accedere ad Internet tramite un adattatore LAN wireless.

- Avvicinate il router al client wireless.
- Assicuratevi che l'adattatore wireless sia connesso correttamente al router wireless.
- Controllate che il canale in uso sia permesso nella vostra area/regione.
- Controllate le impostazioni di protezione della rete.

- Controllate che il cavo ADSL sia collegato correttamente.
- Riprovate usando un altro cavo Ethernet.

Se la luce "LINK" ADSL lampeggia continuamente, o è spenta, non è possibile connettersi ad Internet - il router non è in grado di stabilire una connessione con la rete ADSL.

- Assicuratevi che tutti i cavi siano collegati correttamente.
- Scollegate il cavo di alimentazione dal modem/router ADSL, aspettate qualche minuto e poi ricollegate il cavo.
- Se la luce ADSL continua a lampeggiare, o non si accende, contattate il vostro fornitore di servizi ADSL.

Avete dimenticato il nome della rete o la chiave di protezione.

- Provate a collegarvi al router con un cavo Ethernet e a configurare nuovamente la cifratura wireless.
- Tenete premuto il pulsante di reset che trovate sul pannello posteriore per più di cinque (5) secondi.
- Impostazioni predefinite di fabbrica

| | | | | |
|-------------------------------------------------|-------------------------------------------------------------------------------------|-----------------------------------|---------------------------------------|---------------------------------------|
| Nome utente / Password: admin / admin | Indirizzo IP: http://router.asus.com | SSID rete 2.4 GHz: ASUS | SSID rete 5GHz-1: ASUS_5G-1 | SSID rete 5GHz-2: ASUS_5G-2 |
|-------------------------------------------------|-------------------------------------------------------------------------------------|-----------------------------------|---------------------------------------|---------------------------------------|

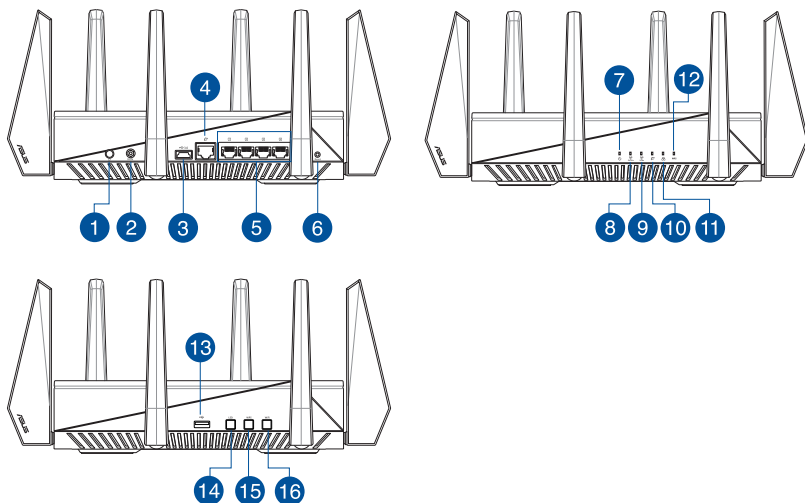
Dove posso trovare ulteriori informazioni sul mio router wireless?

- Manuale utente incluso nel CD di supporto
- Sito web delle FAQ: <http://support.asus.com/faq>
- Sito del supporto tecnico: <http://www.asus.com/it/support>
- Hotline del servizio clienti: Fate riferimento alla sezione *SUPPORTO HOTLINE* di questa guida rapida

Servizio di ritiro e riciclaggio ASUS

Il programma di ritiro e riciclaggio dei prodotti ASUS deriva dal costante impegno aziendale a raggiungere i più elevati standard di protezione ambientale. ASUS crede, infatti, di poter fornire soluzioni in grado di riciclare in modo responsabile non soltanto i prodotti, le batterie e le altre componenti elettroniche, ma anche i materiali utilizzati per l'imballaggio. Per informazioni dettagliate sulle modalità di riciclaggio nei vari paesi visitate la pagina: <http://csr.asus.com/english/Takeback.htm>.

En snartitt på RT-AC5300



| | |
|---------------------------|---------------------------------------------------------------------------------------------------------------------------------------|
| 1 Strømbryter | 9 5GHz LED |
| 2 Strømport (DC) | WAN (Internett) LED Rød: Ingen IP eller ingen fysisk tilkobling. Hvit: Har fysisk tilkobling til fjernnett (WAN). |
| 3 USB 3.0 porter | 10 LAN LED |
| 4 WAN (Internett) porter | 11 WPS LED |
| 5 LAN 1 ~ 4 porter | 12 USB 2.0 porter |
| 6 Reset (Nullstill)-knapp | 13 På/av-knapp for WPS LED |
| 7 Strøm LED | 14 WPS-button |
| 8 2.4GHz LED | 15 På/av-knapp for Wi-Fi |
| | 16 |

Innhold i pakken

- ☑ RT-AC5300
- ☑ AC-adapter
- ☑ Nettverkskabel (RJ-45)
- ☑ Hurtigstartguide
- ☑ Support CD (Brukerveiledning)



MERK:

• USB ekstern HDD/flashdisk:

- Den trådløse ruterer fungerer med de fleste USB HDD-er/flashdisker opptil 2 TB og støtter lese-skrivetilgang for FAT16, FAT32, EXT2, EXT3 og NTFS.
 - For trygg fjerning av USB-disken, start det nettbaserte brukergrensesnittet (<http://router.asus.com>), deretter i **Network Map (Nettverkskart)**-sidens øvre høyre hjørne, klikk på USB-ikonet og klikk på **Eject USB 3.0 / USB 2.0 (Løs ut USB 3.0 / USB 2.0)**.
 - Feil fjerning av USB-disken kan føre til korrumpert data.
 - For listen over filsystemer og harddiskpartisjoner som den trådløse ruterer støtter, besøk <http://event.asus.com/networks/disksupport>
 - For listen over skrivere som den trådløse ruterer støtter, besøk <http://event.asus.com/networks/printersupport>
-

Installere ruteren

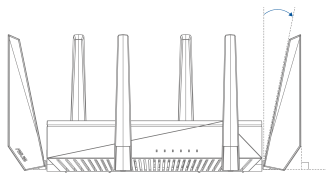
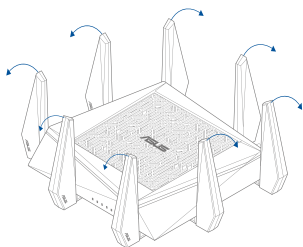


VIKTIG: Før ruteren installeres, se etter at Internett-koblingen er tilgjengelig.

1. Plassere ruteren

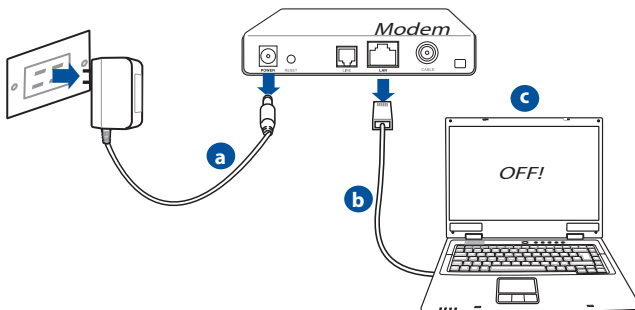
For best mulig trådløs signaloverføring mellom den trådløse ruter og nettverksenhetene som er koblet til den, må du sørge for at du:

- Plasserer den trådløse rutere i et sentralt område for maksimal trådløs dekning for nettverksenhetene.
- Hold enheten unna metallhindringer og direkte sollys.
- Hold enheten unna Wi-Fi-enheter med bare 802.11g eller 20MHz, 2,4 GHz-datamaskinutstyr, Bluetooth-enheter, trådløse telefoner, transformatorer, tunge motorer, fluorescerende lys, mikrobølgeovner, kjøleskap og annet industriutstyr for å forhindre signalinterferens eller -tap.
- Alltid oppdater til den siste fastvaren. Besøk ASUS-websiden på <http://www.asus.com> for de aller siste fastvareoppdateringene.
- For å forsikre best mulig trådløst signal, må du orientere 8 avtakbare antennene som vist på tegningen under.



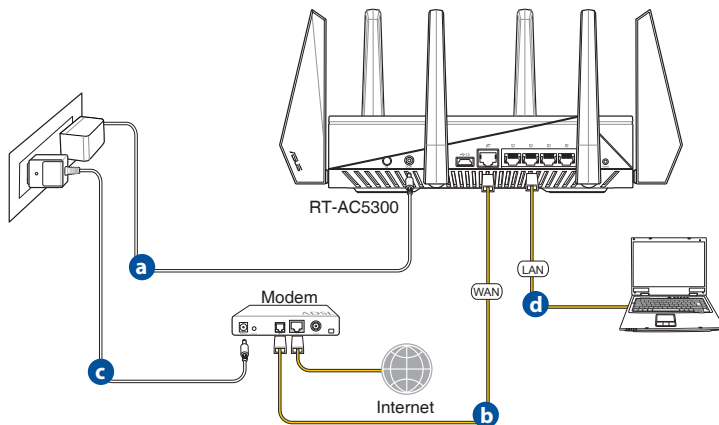
2. Klargjøre modemmet.

- a:** Koble fra AC-adapteren fra stikkontakten og koble den fra kabel-/ADSL-modemet.
- b:** Koble nettverkskabelen fra kabel-/ADSL-modemet.
- c:** Start datamaskinen din på nytt (anbefales).



ADVARSEL! Før du kobler fra ledningene/kablene, sørg for at kabel-/ADSL-modemet har vært slått av i minst to minutter. Hvis modemmet ditt har et reservebatteri, fjerner du også dette.

3. Sett opp det trådløse miljøet.



- Sett inn den trådløse ruterens AC-adapler i DC-inntaksporten og koble til et strømuttak.
- Med en annen nettverkskabel, koble modemmet til den trådløse ruterens WAN-port.
- Sett inn modemets AC-adapler i DC-inntaksporten og koble til et strømuttak.
- Med nettverkskabelen, koble datamaskinen til den trådløse ruterens LAN-port.

4. Deaktiver noen innstillinger på datamaskinen.

- Deaktiver proxyserveren, hvis denne er aktivert.
- Still inn TCP/IP-innstillingene til å automatisk innhente en IP-adresse.
- Deaktiver den eksterne oppringingen, hvis denne er aktivert.



MERK: For flere detaljer om deaktivering av datamaskininnstillingene, henvis til **Spørsmål og svar**.

Hurtigoppsett for Internett (QIS) med automatisk registrering

Funksjonen Hurtigoppsett for Internett (QIS) leder deg gjennom hurtigoppsett av Internett-tilkoblingen.



MERK: Når du setter opp Internett-tilkoblingen for første gang, trykker du først Nullstillingsknappen på den trådløse ruterer for å tilbakestille til fabrikkinnstillingene.

Slik bruker du QIS med automatisk registrering:

1. Logg på det nettbaserte brukergrensesnittet. QIS-siden åpnes automatisk.



MERKNADER:

- BStandard brukernavn og passord for å logge på ruterens nettbaserte brukergrensesnitt er **admin**.
- Brukernavn og passord for å logge på den trådløse ruterer er ikke det samme som nettverksnavn (SSID) og nettverksnøkkel for det trådløse 2,4 GHz- / 5 GHz-nettverket. Brukernavn og passord for det nettbaserte brukergrensesnittet brukes til å konfigurere innstillinger for den trådløse ruterer. Nettverksnavn (SSID) og nettverksnøkkel for det trådløse 2,4 GHz- / 5 GHz-nettverket brukes av enheter for å logge på det trådløse 2,4 GHz- / 5 GHz-nettverket.

2. Den trådløse ruteren oppdager om Internettleverandørens tilkoblingstype er **Dynamisk IP, PPPoE, PPTP** eller **L2TP**. Tast inn nødvendig informasjon for tilkoblingstypen til Internettleverandøren.



VIKTIG! Du får opplysninger om Internett-tilkoblingstype fra Internett-leverandøren.

for Automatisk IP (DHCP)

ASUS

Skip Setup Wizard

Quick Internet Setup

1 Check Connection

2 Internet Setup

3 Router Setup

Automatic IP connection setup

Host Name(optional):

MAC Address(optional): **MAC Clone**

MAC (Media Access Control) address is a unique identifier that identifies your computer or device in the network. ISPs monitor the MAC addresses of devices that connect to their services, and would disallow Internet connection for new MAC addresses. To fix this issue, you can do either of the following:

- Contact your ISP and request to update the MAC address associated with your ISP subscription. Once this is done you can run the router's setup wizard again.
- Clone or change the MAC address of the new device to match the MAC address of the original device. If you just replaced an old router, you will find the old router's MAC address from its label. If you previously connected your computer to the modem, you will need to enter your computer's MAC address or click "MAC Clone" to clone your computer's MAC address.

Previous **Next**

for PPPoE, PPTP og L2TP

ASUS

Skip Setup Wizard

Quick Internet Setup

1 Check Connection

2 Internet Setup

3 Router Setup

Account Setting

Please enter your username and password

User Name

Password Show password

MAC Address(optional) **MAC Clone**

Enable VPN client

Special Requirement from ISP

Previous **Next**

Internet Connection Information

Enter the account name and password for Internet service provider.

Account Name

Password

User Name

Password

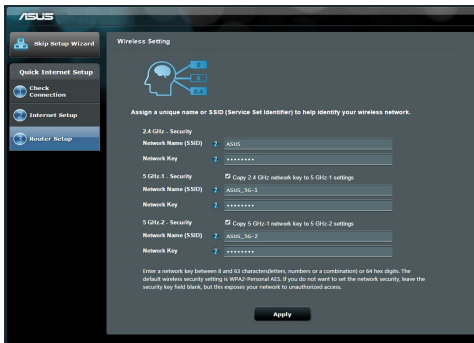
Enter the user name and password for your Internet connection information. These settings were given by your Internet Service Provider (ISP).



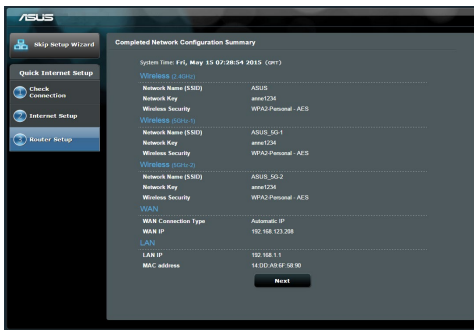
MERKNADER:

- Automatisk registrering av tilkoblingstypen til Internettleverandøren utføres når du konfigurerer den trådløse ruteren for første gang eller når den trådløse ruterer er nullstilt til standardinnstillingene.
- Hvis QIS ikke kunne registrere Internett-tilkoblingstypen din, klikker du **Skip to manual setting (Bytt til manuell innstilling)** og konfigurerer tilkoblingsinnstillingene manuelt.

3. Tildel et trådløst nettverksnavn (SSID) og en sikkerhetsnøkkel for 2,4 GHz- og 5 GHz-nettverk. Klikk **Apply (Bruk)** når du er ferdig.



4. Innstillingene for Internett og trådløst nettverk vises. Klikk **Next (Neste)** for å gå videre.
5. Les veiledningen for trådløs nettverkstilkobling. Når du er ferdig, klikker du **Finish (Fullfør)**.



Koble til det trådløse nettverket

Trådløse klienter (bærbare datamaskiner, nettbrett, smarttelefoner osv.) kan tilkobles RT-AC5300s trådløse nettverk på to måter.

Koble til det trådløse nettverket manuelt

Slik tilkobles det trådløse nettverket manuelt:

1. Aktiver Wi-Fi-funksjonen på den trådløse klienten slik at den søker etter tilgjengelige trådløse nettverk.
2. Velg SSID-en eller nettverksnavnet som du tilordnet RT-AC5300s nettverk.
3. Skriv inn passordet og klikk på **Connect (Koble til)**.

Koble til det trådløse nettverket via WPS

RT-AC5300 har en WPS (Wi-Fi-beskyttet oppsett)-knapp som du kan bruke til å koble den trådløse klienten til RT-AC5300s nettverk uten å skrive inn passordet. Slik tilkobles det trådløse nettverket via WPS:

1. Trykk på WPS-knappen på baksiden av RT-AC5300. Se avsnittet **En snartritt på RT-AC5300** om plasseringen av WPS-knappen.
2. Trykk på WPS-knappen på den trådløse klienten innen to minutter eller følg WPS-anvisningene som fulgte med den trådløse klienten. Mens tilkoblingen via WPS pågår, blinker ruterens strømlampe hurtig.
3. Vent til ruterens strømlampe lyser fast og indikerer en vellykket tilkobling mellom ruterens og den trådløse klienten.

Administrere ruteren via ASUSWRT-webgrensesnittet

Den trådløse ruteren leveres med ASUSWRT-webgrensesnittet, et grafisk og intuitivt brukergrensesnitt. ASUSWRT lar deg enkelt konfigurere ruterens forskjellige funksjoner gjennom en webleser, som f.eks. Internet Explorer, Firefox, Safari eller Google Chrome.



OBS: Bruk søkelinjen nederst i grensesnittet til å skaffe mer informasjon fra ASUS-området for teknisk støtte, <http://support.asus.com>.



VIKTIG:

- Du finner mer detaljert informasjon om ruterens webgrensesnitt i bruksanvisningen.
- Undersøk regelmessig og oppgrader fastvaren til den siste versjonen for å oppnå den beste brukeropplevelsen.
- Besøk ASUS' videokanal for nettverk og se på opplæringsvideoer om aktuelle funksjoner.



AiCloud

ASUS AiCloud-appen gir deg tilgang til dataene dine når du er på farten og har en Internett-tilkobling. Du har tilgang til ASUS WebStorage-kontoen mobilt via AiCloud-appen på en iOS- eller Android-enhet eller via en webleser. Slik installeres AiCloud:

1. Kontroller at ruterens fastvareversjon er oppgradert og støtter AiCloud.
2. Last ned AiCloud-appen fra Google Play eller App Store.
3. Sett inn USB-lagringsenheten i ruterens. Se avsnittet **En snartitt på RT-AC5300** om plasseringen av USB-kontaktene.
4. Koble iOS- eller Android-enheten til ruterens via Wi-Fi. AiCloud-appen leder deg automatisk gjennom oppsettprosessen.
5. Du har nå tilgang til filene og kan direkteavspille og opprette delte ressurser på USB-lagringsenheten. Du får nærmere informasjon ved å søke etter ASUS AiCloud. Se på opplæringsvideoer for å få trinnvis veiledning.



Google Play



App Store

Spørsmål og svar

Etter at å ha fulgt trinnene, kan jeg fremdeles ikke få tilgang til den trådløse ruterens nettbaserte brukergrensesnitt for å konfigurere den trådløse ruterens innstillinger.

Påse at proxy-innstillingene er deaktivert i datamaskinen og at den henter IP-adressen automatisk fra en DHCP-server. Nærmere detaljer om å deaktivere proxy-innstilling, finner du på ASUS' webområde for kundestøtte, <http://support.asus.com>. Nærmere detaljer om å bruke en DHCP-server til å hente IP-adresser automatisk, finner du i hjelp om operativsystemet for Windows® eller Mac.

Klienten kan ikke etablere en trådløs tilkobling med ruterens.

Utenfor rekkevidde:

- Plasser ruterens nærmere den trådløse klienten.
- Prøv å endre kanalinnstillingene.

Autentifisering:

- Bruk kablet tilkobling for å koble til ruterens.
- Sjekk de trådløse sikkerhetsinnstillingene.
- Trykk på Reset-knappen på bakpanelet i mer enn fem sekunder.

Kan ikke finne ruterens:

- Trykk på Reset-knappen på bakpanelet i mer enn fem sekunder.
- Sjekk innstillingen i den trådløse adapteren som SSID og krypteringsinnstillinger.

Kan ikke få tilgang til Internett via en trådløs LAN-adapter.

- Flytt ruterens nærmere den trådløse klienten.
- Sjekk om den trådløse adapteren er koblet til den rette trådløse ruterens.
- Sjekk om den trådløse kanalen som brukes samsvarer med kanalene som er tilgjengelige i landet/området ditt.
- Sjekk krypteringsinnstillingene.

- Sjekk om ADSL- eller kabeltilkoblingen stemmer.
- Prøv på nytt med en annen Ethernet-kabel.

Dersom ADSL "LINK"-lyset blinker kontinuerlig eller slukkes, er ikke Internetttilgang mulig - ruterer kan ikke etablere en tilkobling med ADSL-nettverket.

- Kontroller at kablene dine er riktig koblet til.
- Koble strømledningen fra ADSL- eller kabelmodemet, vent et par minutter, koble deretter til ledningen igjen.
- Hvis ADSL-lyset fortsetter å blinke eller forblir AV, kontakter du ADSL-tjenesteleverandøren.

Nettverksnavn eller sikkerhetsnøkler er glemt.

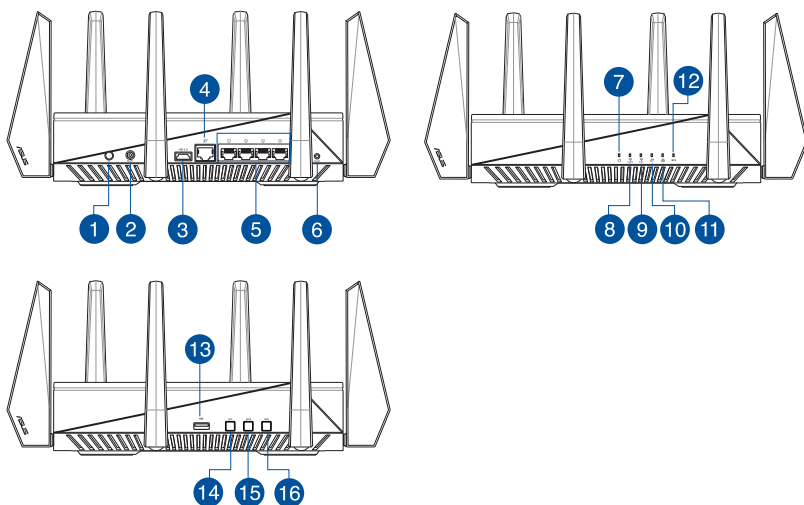
- Prøv å sette opp den kablede tilkoblingen og konfigurere krypteringsinnstillingene på nytt.
- Trykk på Reset-knappen i mer enn fem sekunder for å nullstille eller gjenopprette systemet til fabrikkinnstillingene.
- Fabrikkinnstillinger:

| | | | | |
|---------------------------------------------|-----------------------------------------------------------------------------------|----------------------------------------|---------------------------------------------|---------------------------------------------|
| Brukernavn/passord: admin / admin | IP-adresse: http://router.asus.com | 2,4 GHz-nettverks-SSID: ASUS | 5 GHz-1 nettverks-SSID: ASUS_5G-1 | 5 GHz-2 nettverks-SSID: ASUS_5G-2 |
|---------------------------------------------|-----------------------------------------------------------------------------------|----------------------------------------|---------------------------------------------|---------------------------------------------|

Hvor kan jeg finne mer informasjon om den trådløse ruterer?

- Bruksanvisning i support CD-en
- Online side med spørsmål og svar: <http://support.asus.com/faq>
- Side for teknisk støtte: <http://support.asus.com>
- Kundehjelp: Henvis til støttetelefonnummeret i tilleggsguiden.

Visão geral do seu RT-AC5300



| | | | |
|---|-----------------------------------|----|-------------------------------------------------------------------------------------------------------------------------------------------|
| 1 | Botão Alimentação | 9 | LED 5GHz |
| 2 | Porta de alimentação (Entrada DC) | 10 | LED WAN (Internet) Vermelho: Sem alimentação ou ligação física. Ligado: Com ligação física a uma rede alargada (WAN). |
| 3 | Portas USB 3.0 | 11 | LED da LAN |
| 4 | Portas WAN (Internet) | 12 | LED WPS |
| 5 | Portas 1 a 4 da LAN | 13 | Portas USB 2.0 |
| 6 | Vypínaè | 14 | Botão Ligar/Desligar LED WPS |
| 7 | LED de Alimentação | 15 | Botão WPS |
| 8 | LED 2.4GHz | 16 | Botão Ligar/Desligar Wi-Fi |

Conteúdo da embalagem

- ☑ RT-AC5300
- ☑ Cabo de rede (RJ-45)
- ☑ CD de suporte (contendo o manual)
- ☑ Transformador
- ☑ Guia de consulta rápida



NOTA: Caso algum item esteja danificado ou em falta, contacte o seu revendedor.



NOTAS:

• Disco Rígido USB Externo/Disco Flash:

- O router sem fios funciona com a maioria dos Discos Rígidos USB/Discos Flash com até 2TB de capacidade e suporta o acesso de leitura-escrita nos sistemas FAT16, FAT32, EXT2, EXT3 e NTFS.
 - TPara remover em segurança o disco USB, aceda à interface Web (<http://router.asus.com>) e no canto superior direito da página **Network Map (Mapa de rede)**, Clique no ícone USB e clique em **Eject USB 3.0 / USB 2.0 (Ejectar USB 3.0 / USB 2.0)**.
 - A remoção incorrecta do disco USB poderá danificar os dados.
 - Para consultar a lista de sistemas de ficheiros e de partições de disco rígido que o router sem fios suporta, visite <http://event.asus.com/networks/disksupport>
 - Para consultar a lista de impressoras que o router suporta, visite <http://event.asus.com/networks/printersupport>
-

Instalar o router

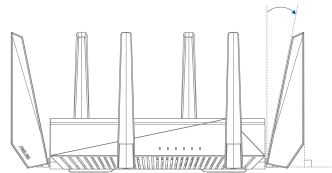
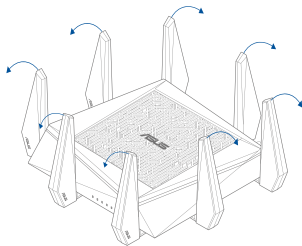


IMPORTANTE: Antes de instalar o router, certifique-se de que a ligação à Internet está disponível.

1. Colocação do router.

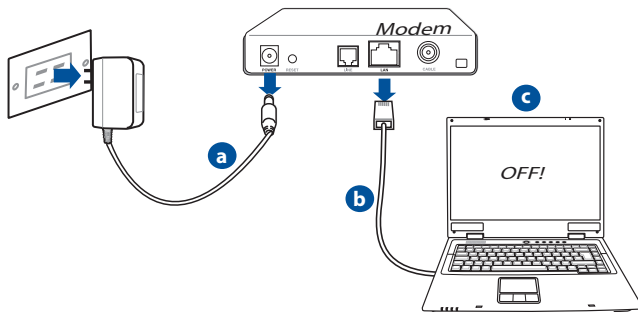
Para garantir a melhor qualidade de transmissão entre o router sem fios e os dispositivos de rede a ele ligados:

- Coloque o router sem fios numa área central para obter a maior cobertura possível sem fios para os seus dispositivos de rede.
- Mantenha o dispositivo afastado de obstruções de metal e de luz solar directa.
- Mantenha o dispositivo afastado de dispositivos Wi-Fi que utilizam apenas a norma 802.11g ou 20MHz, periféricos de computador que utilizam a banda 2,4GHz, dispositivos Bluetooth, telefones sem fios, transformadores, motores de alta resistência, lâmpadas fluorescentes, fornos microondas, frigoríficos e outros equipamentos industriais para evitar interferências ou perdas de sinal.
- Actualize sempre para o firmware mais recente. Visite o Web site da ASUS em <http://www.asus.com> para obter as actualizações de firmware mais recentes.
- Para garantir um sinal sem fios ideal, oriente as 8 antenas amovíveis tal como ilustrado nas imagens abaixo.



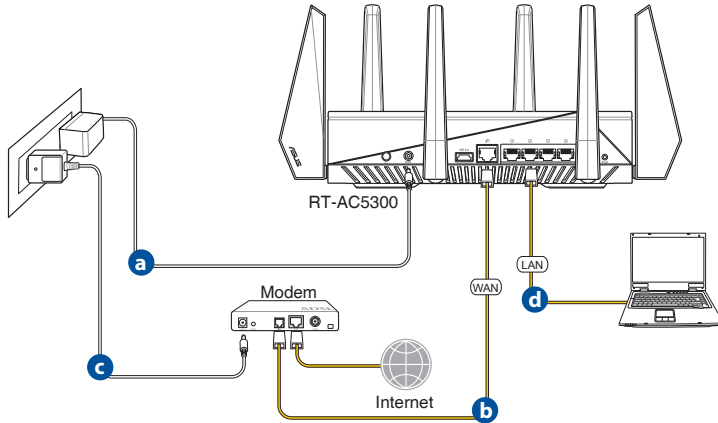
2. Preparar o modem.

- a: Desligue o transformador AC da tomada eléctrica e desligue-o do modem por cabo/ADSL.
- b: Desligue o cabo de rede do modem por cabo/ADSL.
- c: Reinicie o computador (recomendado).



AVISO! Antes de desligar os fios/cabos, certifique-se de que o modem por cabo/ADSL se encontra desligado há pelo menos dois minutos. Se o modem possuir uma bateria de reserva, remova-a também.

3. Configure o ambiente da sua rede sem fios.



- a:** Ligue o transformador AC do router sem fios à porta de entrada DC e a uma tomada eléctrica.
- c:** Utilizando outro cabo de rede, ligue o seu modem à porta WAN do router sem fios.
- d:** Ligue o transformador AC do modem à porta de entrada DC e a uma tomada eléctrica.
- b:** Utilizando o cabo de rede, ligue o seu computador à porta LAN do router sem fios.

4. Desactive algumas configurações no seu computador.

- A.** Desactive o servidor proxy, caso esteja activado.
- B.** Configurar as definições de TCP/IP para obter automaticamente um endereço IP.
- C.** Desactive a ligação de acesso telefónico, caso esteja activada.



NOTA: Para obter mais detalhes acerca de como desactivar as configurações do seu computador, consulte as **Perguntas Frequentes (FAQ)**.

Configuração Rápida de Internet (QIS) com detecção automática

A função de Configuração Rápida de Internet (QIS) ajuda a configurar rapidamente a sua ligação à Internet.

NOTA: Quando configurar a ligação à Internet pela primeira vez, prima botão de reposição no router sem fios para repor as predefinições.

Para utilizar a função QIS com detecção automática:

1. Inicie sessão na Interface Web. A página QIS irá abrir automaticamente.



NOTAS:

- Por predefinição, o nome de utilizador e a palavra-passe da Interface Web do router sem fios é **admin**. Para mais detalhes acerca da alteração do nome de utilizador e da palavra-passe de início de sessão do router sem fios, consulte a secção **4.7.2 Sistema**.
- O nome de utilizador e palavra-passe de início de sessão do router sem fios é diferente do nome da rede (SSID) de 2,4GHz/5GHz e da chave de segurança. O nome de utilizador e palavra-passe de início de sessão do router sem fios permite-lhe iniciar sessão na Interface Web do router para configurar as definições do router sem fios. O nome da rede (SSID) de 2,4GHz/5GHz e a chave de segurança permitem que dispositivos Wi-Fi acedam e liguem à sua rede de 2,4GHz/5GHz.

2. O router sem fios detecta automaticamente se o tipo de ligação do seu ISP é de **Dynamic IP (IP Dinâmico)**, **PPPoE**, **PPTP**, **L2TP**, e **Static IP (IP Estático)**. Introduza as informações necessárias para o tipo de ligação do seu ISP.



IMPORTANTE! Contacte o seu ISP, para obter as informações necessárias relativas ao seu tipo de ligação à Internet.

Para IP Automático (DHCP)

ASUS

Skip Setup Wizard

Quick Internet Setup

Check Connection

Internet Setup

Router Setup

Automatic IP connection setup

Host Name(optional):

MAC Address(optional):

MAC Clone

MAC (Media Access Control) address is a unique identifier that identifies your computer or device in the network. ISPs monitor the MAC addresses of devices that connect to their services, and would disallow Internet connection for new MAC addresses. To fix this issue, you can do either of the following:

- Contact your ISP and request to update the MAC address associated with your ISP subscription. Once this is done, you can run the router's setup wizard again.
- Clone or change the MAC address of the new device to match the MAC address of the original device. If you just replaced an old router, you will find the old router's MAC address from its label. If you previously connected your computer to the modem, you will need to enter your computer's MAC address or click "MAC Clone" to clone your computer's MAC address.

Previous Next

Para PPPoE, PPTP e L2TP

ASUS

Skip Setup Wizard

Quick Internet Setup

Check Connection

Internet Setup

Router Setup

Account Setting

Please enter your username and password

User Name

Password

Show password

MAC Address(optional)

MAC Clone

Enable VPN client

Special Requirement from ISP

Previous Next

Internet Connection Information

Enter the account name and password for your Internet service provider.

Account Name

Password

User Name

Password

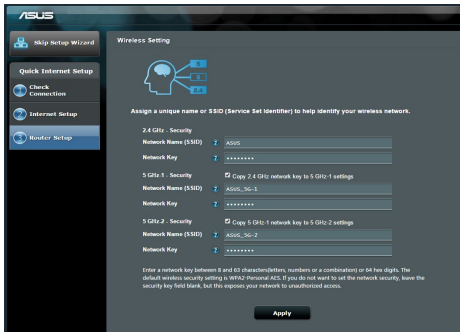
Enter the user name and password for your Internet connection information. These settings were given by your Internet Service Provider (ISP).



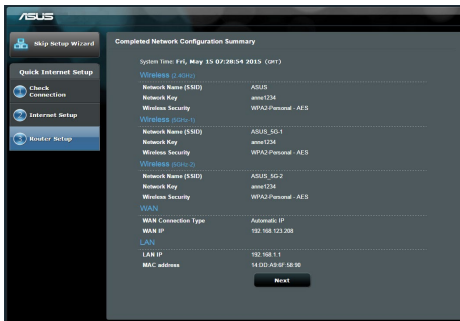
NOTAS:

- A detecção automática do tipo de ligação do seu ISP ocorrerá quando configurar o router sem fios pela primeira vez ou quando forem repostas as predefinições do router sem fios.
- Se a função QIS não detectar o seu tipo de ligação à Internet, clique em **Skip to manual setting (Avançar para a configuração manual)** (veja a captura de ecrã no passo 1) e configure manualmente as definições da ligação.

3. Atribua o nome de rede (SSID) e a chave de segurança para a sua ligação sem fio a 2,4GHz e 5 GHz. Clique em **Apply (Aplicar)** quando terminar.



4. Serão exibidas as suas definições de Internet e da ligação sem fios. Clicar em **Next (Seguinte)** para continuar.
5. Leia o tutorial de ligação da rede sem fios. Clique em **Finish (Concluir)** quando terminar.



Ligar à rede sem fios

Os seus clientes sem fios (computador portátil, tablet PC, smartphone, etc.) podem ligar-se à rede sem fios do RT-AC5300 de duas formas.

Ligar à rede sem fios manualmente

Para ligar à rede sem fios manualmente:

1. Ative a função Wi-Fi no seu cliente sem fios para procurar redes sem fios disponíveis.
2. Seleccione o SSID ou nome de rede que atribuiu à rede do seu RT-AC5300.
3. Introduza a palavra-passe e clique em **Connect (Ligar)**.

Ligar à rede sem fios através de WPS

O RT-AC5300 possui um botão WPS (Configuração Wi-Fi Protegida) que permite ligar o seu cliente sem fios à rede do RT-AC5300 sem introduzir uma palavra-passe.

Para ligar à rede sem fios através de WPS:

1. Pressione o botão WPS na parte traseira do RT-AC5300. Consulte a secção **Visão geral do seu RT-AC5300** para obter a localização do botão WPS..
2. Prima o botão WPS do seu cliente sem fios no espaço de dois minutos ou siga as instruções WPS incluídas no seu cliente sem fios. Ao efectuar a ligação através de WPS, o LED de Alimentação do seu router pisca rapidamente.
3. Aguarde até que o LED de Alimentação do router apresente uma luz fixa, indicando que a ligação entre o router e o cliente sem fios foi estabelecida com êxito.

Gerir o router através da interface Web ASUSWRT

O seu router sem fios inclui a intuitiva interface gráfica de utilizador na Web ASUSWRT. A interface ASUSWRT permite-lhe configurar facilmente as suas diversas funcionalidades através de um Web browser, tal como o Internet Explorer, Firefox, Safari ou Google Chrome.



NOTA: Utilize a barra de pesquisa na parte inferior da interface para obter mais informações acerca do site de apoio técnico da ASUS <http://support.asus.com>



IMPORTANTE:

- Consulte o manual do utilizador Para obter mais detalhes acerca da interface Web do seu router.
- Verifique e actualize sempre o firmware para a versão mais recente para obter uma melhor experiência.
- Visite o canal de vídeo ASUS Networking para assistir a tutoriais em vídeo sobre as funções principais.



AiCloud

A aplicação ASUS AiCloud oferece-lhe acesso aos seus dados em qualquer lugar e sempre que possuir uma ligação Internet. Permite-lhe também aceder à sua conta ASUS WebStorage através da aplicação móvel AiCloud no seu dispositivo iOS ou Android, ou através de um Web browser.

Para instalar a aplicação AiCloud:

1. Certifique-se de que a versão de firmware do seu router é a mais recente e que suporta a aplicação AiCloud.
2. Transfira a aplicação AiCloud a partir do Google Play ou da App Store.
3. Ligue o dispositivo de armazenamento USB ao seu router. Consulte a secção **Visão geral do seu RT-AC5300** para obter a localização das portas USB.
4. Ligue os seus dispositivos iOS ou Android ao router através de Wi-Fi. A aplicação AiCloud irá guiá-lo automaticamente através do processo de configuração.
5. Pode agora aceder, transmitir e partilhar todos os ficheiros na sua unidade de armazenamento USB. Procure por ASUS AiCloud para obter mais informações. Assista aos tutoriais em vídeo para obter instruções passo-a-passo.



Google Play



App Store

Perguntas Frequentes (FAQ)

Depois de seguir todos os passos, ainda não consigo aceder à interface gráfica Web do router (GUI Web) para configurar as definições do router sem fios.

Certifique-se de que as definições de proxy do seu PC estão desactivadas e de que o endereço IP do PC é obtido automaticamente através do servidor DHCP. Para mais detalhes sobre a desactivação das definições de proxy, visite o site de Suporte da ASUS em <http://support.asus.com>. Para mais informações sobre a utilização do servidor DHCP para obter automaticamente endereços IP, consulte a função de ajuda do seu sistema operativo Windows® ou Mac.

O cliente não consegue estabelecer uma ligação sem fios com o router.

Fora de alcance:

- Coloque o router mais próximo do cliente sem fios.
- Experimente alterar as definições do canal.

Autenticação:

- Utilize uma ligação com fios para ligar ao router.
- Verifique as definições de segurança da ligação sem fios.
- Prima o botão Reset (Repor) no painel traseiro durante mais de cinco segundos

Não é possível localizar o router:

- Prima o botão Reset (Repor) no painel traseiro durante mais de cinco segundos.
- Verifique as definições na placa sem fios como, por exemplo, as definições SSID e de encriptação. **Cannot find the router:**

Não é possível aceder à Internet através da LAN sem fios

- Coloque o router mais próximo do cliente sem fios.
- Verifique se a placa sem fios está ligada ao router sem fios correcto.
- Verifique se o canal da função sem fios em utilização está em conformi-

dade com os canais disponíveis no seu país/na sua área.

- Verifique as definições de encriptação.
- Verifique se a ligação por ADSL ou por cabo está correcta.
- Volte a tentar utilizando um outro cabo Ethernet.

Se o LED "LINK" do modem ADSL estiver intermitente ou desligado, é sinal de que não é possível aceder à Internet – o router não consegue estabelecer ligação através da rede ADSL.

- Certifique-se de que todos os cabos estão devidamente ligados .
- Desligue o cabo de alimentação do modem ADSL ou do modem por cabo. Aguarde alguns minutos e volte a ligar o cabo.
- Se o LED do modem ADSL continuar a piscar ou permanecer desligado, contacte o seu fornecedor de serviços.

O nome da rede ou as chaves de segurança foram esquecidas.

- Tente configurar a ligação com fios e configure novamente as definições de encriptação.
- Pressione o botão Repor durante mais de cinco segundos para repor ou restaurar as predefinições do sistema.
- Predefinições:

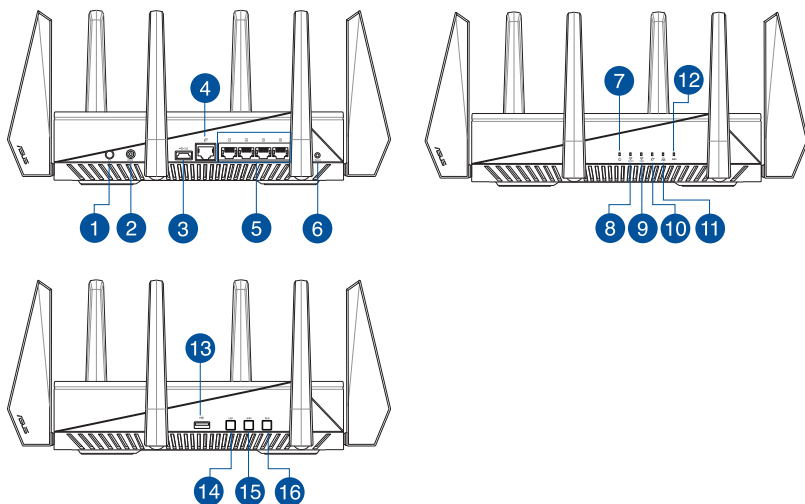
| | | | | |
|-------------------------------------------------------------|------------------------------------------------------------------------------------|--------------------------------------|-------------------------------------------|-------------------------------------------|
| Nome de utilizador / Palavra-passe: admin / admin | Endereço IP: http://router.asus.com | rede de 2,4 GHz SSID: ASUS | rede de 5-1 GHz SSID: ASUS_5G-1 | rede de 5-2 GHz SSID: ASUS_5G-2 |
|-------------------------------------------------------------|------------------------------------------------------------------------------------|--------------------------------------|-------------------------------------------|-------------------------------------------|

Where can I find more information about the wireless router?

Onde posso encontrar mais informações acerca do router sem fios?

- Manual do utilizador incluído no CD de suporte
- Site de Perguntas Frequentes Online: <http://support.asus.com/faq>
- Site de Apoio Técnico: <http://support-org.asus.com/>
- Linha de Apoio ao Cliente: Consulte a Linha de Apoio ao Cliente no Guia suplementar.

Un vistazo rápido a su RT-AC5300



| | |
|----------------------------------|-----------------------------------------------------------------------------------------------------------------------------------------------------------------|
| 1 Vypínaè | 9 LED de 5GHz |
| 2 Puerto de alimentación (DC-IN) | 10 WAN LED (Internet) Rojo: no hay alimentación o no hay conexión física. Encendido: hay conexión física como una red de área extensa (WAN) |
| 3 USB 3.0 Puertos | 11 LED LAN |
| 4 WAN (Internet) puertos | 12 LED WPS |
| 5 LAN 1~4 puertos | 13 USB 2.0 Puertos |
| 6 Botón Restablecer | 14 Botón Activar/Desactivar LED WPS |
| 7 LED de alimentación | 15 Botón WPS |
| 8 LED de 2.4 GHz | 16 Botón Activar/Desactivar Wi-F |

Contenido del paquete

- RT-AC5300
- Cable de red
- CD de soporte (Manual/software de utilidad)
- AC adapter
- Guía de inicio rápido



NOTA: Si alguno de los artículos falta o se encuentra dañado, póngase en contacto con su distribuidor.



NOTAS:

• Disco flash/Disco duro externo USB:

- El router inalámbrico funciona con la mayoría de discos flash y discos duros USB de hasta 2 TB y admite acceso de lectura y escritura para los formatos FAT16, FAT32, EXT2, EXT3 y NTFS.
- Para quitar de forma segura el disco USB, inicie la interfaz gráfica del usuario Web (<http://router.asus.com>) y, a continuación, en la página **Network Map (Mapa de la red)**, haga clic en el icono USB y, a continuación, en **Eject USB 3.0 / USB 2.0 (Expulsar USB 3.0 / USB 2.0)**.
- Si quita el disco USB de forma incorrecta, los datos pueden resultar dañados.
- Para conocer la lista del sistema de archivos y las particiones de disco duro que admite el contador inalámbrico, visite la dirección <http://event.asus.com/networks/disksupport>.
- Para conocer la lista de impresoras que admite el router inalámbrico, visite la dirección <http://event.asus.com/2009/networks/printersupport>

Instalar el enrutador

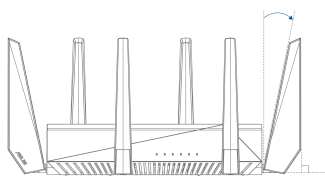
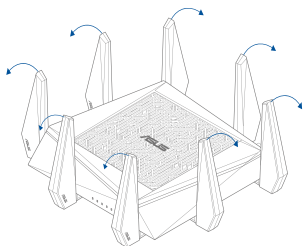


IMPORTANTE: Antes de instalar el router, asegúrese de que hay disponible una conexión a Internet.

1. Ubicar el router inalámbrico

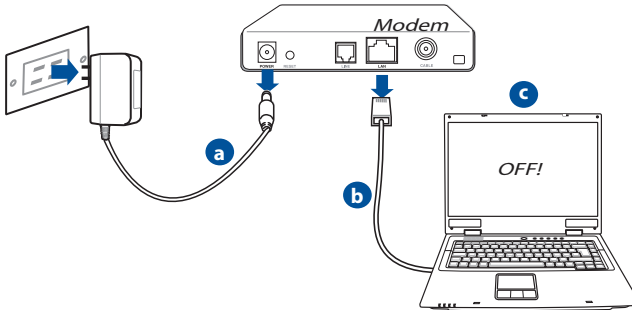
Para conseguir la mejor transmisión de señal inalámbrica entre el router inalámbrico y los dispositivos de red conectados a él, asegúrese de:

- Colocar el router inalámbrico en un área centralizada para conseguir la máxima cobertura inalámbrica para los dispositivos de red.
- Mantenga el dispositivo alejado de obstáculos metálicos y de la luz solar directa.
- Mantenga el producto alejado de dispositivos WiFi de 802.11g o 20 MHz, equipos periféricos de 2,4 GHz, dispositivos Bluetooth, teléfonos inalámbricos, transformadores, motores de alto rendimiento, luces fluorescentes, hornos microondas, frigoríficos y otros equipos industriales para evitar interferencias o pérdidas de señal.
- Actualícese siempre a la versión de firmware más reciente. Visite el sitio Web de ASUS en <http://www.asus.com> para obtener las actualizaciones de firmware más recientes.
- Oriente las 8 antenas desmontables tal y como muestra la siguiente ilustración para maximizar la cobertura de la señal inalámbrica.



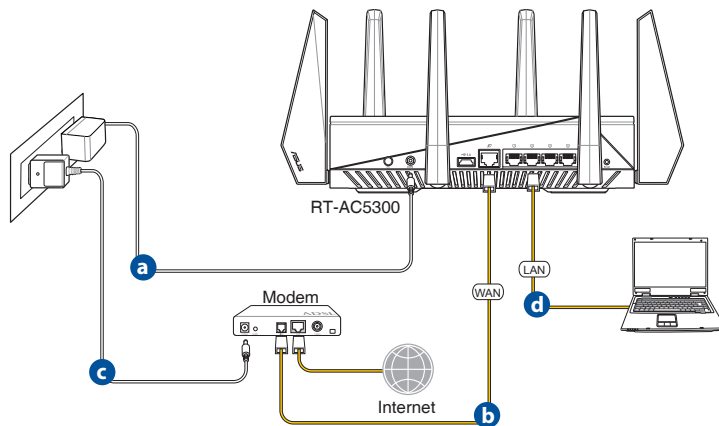
2. Prepare el módem.

- Desenchufe el adaptador de CA de la red eléctrica y desconéctelo del módem por cable/ADSL.
- Desconecte el cable de red del módem por cable/ADSL.
- Reinicie su PC (recomendado).



ADVERTENCIA! Antes de desconectar todos los cables, asegúrese de que el módem por cable/ADSL haya permanecido apagado durante, al menos, dos minutos. Si el módem tiene una batería de reserva, quítela también.

3. Configure la red inalámbrica.



- Conecte el adaptador de CA del router inalámbrico al puerto DC-IN y enchúfelo a la red eléctrica.
- Use otro cable de red para conectar el módem al puerto WAN del router inalámbrico.
- Conecte el adaptador de CA del módem al puerto DC-IN y enchúfelo a la red eléctrica.
- Use el cable de red para conectar el equipo a un puerto LAN del router inalámbrico.

4. Deshabilitar alguna configuración en su PC.

- Deshabilite el servidor proxy si se encuentra habilitado.
- Establezca la configuración TCP/IP del equipo para que reciba una dirección IP automáticamente.
- Deshabilite todas las conexiones de acceso telefónico, si hay alguna habilitada.



NOTA: Para obtener más detalles sobre cómo deshabilitar la configuración del equipo, consulte la sección de **preguntas más frecuentes (P+F)**.

Función Configuración rápida de Internet (QIS, Quick Internet Setup) con detección automática

La función QIS le ayuda a configurar rápidamente la conexión a Internet.

NOTA: Cuando establezca la conexión de Internet por y primera de vez, presione el botón Reiniciar del router inalámbrico para restablecer su configuración predeterminada de fábrica.

Para utilizar QIS con detección automática:

1. Inicie de sesión en la interfaz gráfica del usuario Web. La página QIS se inicia automáticamente.



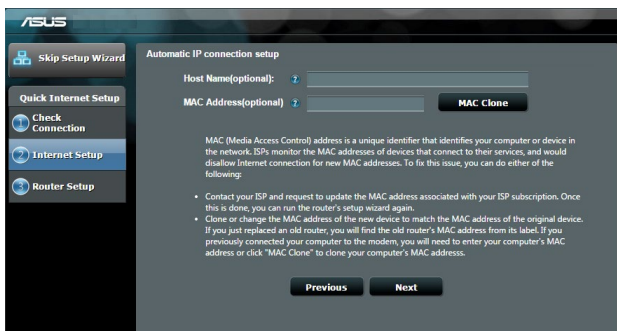
NOTAS:

- De forma predeterminada, el nombre de usuario y la contraseña de inicio de sesión para la interfaz gráfica del usuario Web GUI es **admin**. Para obtener detalles acerca de cómo cambiar el nombre de usuario y la contraseña de inicio de sesión del router inalámbrico, consulte la sección **4.7.2 Sistema**.
- El nombre de usuario y la contraseña de inicio de sesión del router inalámbrico son diferentes del nombre de red de 2,4 GHz/5 GHz (SSID) y de la clave de seguridad. El nombre de usuario y la contraseña de inicio de sesión del router inalámbrico le permiten iniciar sesión en la interfaz gráfica del usuario Web para definir la configuración de dicho router. El nombre de red de 2,4 GHz/5 GHz (SSID) y la clave de seguridad permiten a los dispositivos Wi-Fi iniciar sesión y conectarse a la red de 2,4 GHz/5 GHz.

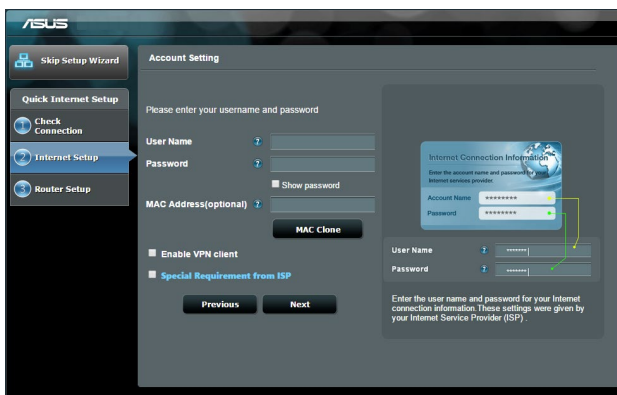
2. El router inalámbrico detectará automáticamente si el tipo de conexión ISP es **Dynamic IP (Dirección IP dinámica)**, **PPPoE**, **PPTP**, **L2TP** o **Static IP (Dirección IP estática)**. Especifique la información necesaria para el tipo de conexión ISP.

IMPORTANT! Obtenga la información necesaria sobre el tipo de conexión a Internet de su ISP.

para dirección IP automática (DHCP)



para PPPoE, PPTP y L2TP

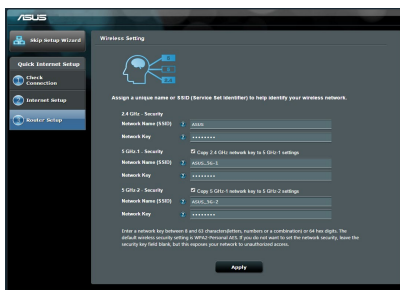




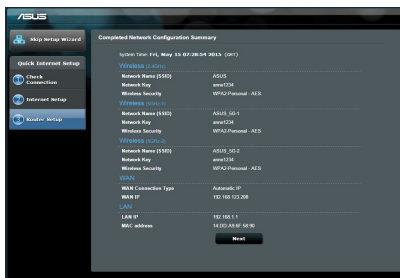
NOTAS:

- La detección automática del tipo de conexión de su ISP se realiza cuando el router inalámbrico se configura por primera vez o cuando se restablece la configuración predeterminada de dicho router.
- Si QIS no puede detectar el tipo de conexión de Internet, haga clic en **Skip to manual setting (Pasar a la configuración manual)** (consulte la captura de pantalla del paso 1) y defina manualmente la configuración de la conexión.

3. Asigne el nombre de ver (SSID) y la clave de seguridad para la conexión inalámbrica de 2,4 GHz y 5 GHz. Cuando haya terminado, haga clic en **Apply (Aplicar)**.



4. Se mostrarán la configuración inalámbrica y de Internet. Haga clic en **Next (Siguiete)** para continuar.
5. Lea el tutorial de conexión de la red inalámbrica. Cuando haya terminado, haga clic en **Finish (Finalizar)**.



Conectarse a la red inalámbrica

Los clientes inalámbricos (equipos portátiles, tabletas, teléfonos inteligentes, etc.) pueden conectarse a la red inalámbrica de su RT-AC5300 de dos formas.

Conectarse a la red inalámbrica manualmente

Para conectarse a la red inalámbrica manualmente:

1. Habilite la función Wi-Fi en el cliente inalámbrico para buscar las redes inalámbricas disponibles.
2. Seleccione el SSID o el nombre de red que asignó a la red de su RT-AC5300.
3. Especifique la contraseña y haga clic en **Connect (Conectar)**.

Conectarse a la red inalámbrica a través de WPS

Su RT-AC5300 tiene un botón WPS (Wi-Fi Protected Setup, es decir, Configuración protegida Wi-Fi) mediante el que puede conectar un cliente inalámbrico a la red de su RT-AC5300 sin necesidad de especificar una contraseña.

Para conectarse a la red inalámbrica a través de WPS:

1. PPresione el botón WPS situado en la parte posterior de RT-AC5300. Consulte la sección **Un vistazo rápido a su RT-AC5300** para conocer la ubicación del botón WPS.
2. Presione el botón WPS del cliente inalámbrico antes de que transcurran dos minutos o siga las instrucciones de WPS incluidas con dicho cliente. Cuando realice la conexión a través de WPS, el LED Alimentación del enrutador comenzará a parpadear rápidamente.
3. Espere a que el LED Alimentación del enrutador se ilumine permanentemente, lo que indica que la conexión entre dicho enrutador y el cliente inalámbrico se ha realizado correctamente.

Administrar el enrutador a través de la GUI de ASUSWRT

El enrutador inalámbrico incluye una intuitiva interfaz gráfica del usuario Web ASUSWRT. ASUSWRT permite configurar fácilmente sus distintas funciones a través de un explorador Web, como por ejemplo Internet Explorer, Firefox, Safari o Google Chrome.



NOTA: Utilice la barra de búsqueda situada en la parte inferior de la interfaz para obtener más información en el sitio de soporte técnico de ASUS (<http://support.asus.com>).



IMPORTANTE:

- Para obtener más detalles sobre cómo utilizar la GUI Web, consulte el manual del usuario.
- Para mejorar su experiencia, busque siempre la versión más reciente del firmware y actualícese a ella.
- Visite el canal de vídeo ASUS Networking para obtener vídeos de tutoriales sobre funciones incluidas.



AiCloud

La aplicación ASUS AiCloud proporciona acceso a los datos en cualquier lugar y momento en el que tenga una conexión a Internet. También permite acceder a su cuenta de ASUS WebStorage a través de la aplicación móvil AiCloud en su dispositivo iOS o Android, o través de un explorador Web.

Para instalar AiCloud:

1. Asegúrese de que la versión de firmware del enrutador es la más reciente y admite AiCloud.
2. Descargue la aplicación AiCloud de Google Play o App Store.
3. Instale el dispositivo de almacenamiento USB en el enrutador. Consulte la sección **Un vistazo rápido a su RT-AC5300** para conocer la ubicación de los puertos USB.
4. Conecte su iOS o dispositivos Android al enrutador a través de Wi-Fi. La aplicación AiCloud le guiará automáticamente a través del proceso de configuración.
5. Ahora puede acceder a todos los archivos de su almacenamiento USB, transmitirlos por secuencias y compartirlos. Busque ASUS AiCloud para obtener más información. Vea los vídeos de tutoriales para obtener instrucciones paso a paso.



Google Play



App Store

Preguntas más frecuentes (P+F)

Después de seguir los pasos indicados, sigo sin poder acceder a la interfaz gráfica del usuario (GUI) Web del router inalámbrico para definir la configuración de dicho router.

Asegúrese de que la configuración proxy de su PC está deshabilitada y que la dirección IP de dicho PC se obtiene del servidor DHCP automáticamente. Para obtener detalles acerca de la configuración proxy, visite el sitio de soporte técnico de ASUS en <http://support.asus.com>. Para obtener detalles acerca del servidor DHCP para obtener direcciones IP automáticamente, consulte la función de ayuda de su sistema operativo Windows® o Mac.

El cliente no puede establecer una conexión inalámbrica con el router.

Se encuentra fuera del alcance de la red:

- Coloque el router más cerca del cliente inalámbrico.
- Intente cambiar el canal.

Autenticación:

- Utilice la conexión por cable para conectarse al router.
- Consulte la configuración de seguridad inalámbrica.
- Presione el botón Restablecer situado en el panel posterior durante más de cinco segundos.

No se encuentra el router:

- Mantenga pulsado el botón **Reset (Restablecer)** durante más de cinco segundos.
- Consulte la configuración del adaptador inalámbrico, como el identificador SSID y la configuración de cifrado.

No se puede acceder a Internet por medio del adaptador de red LAN inalámbrica

- Coloque el router más cerca del cliente inalámbrico.
- Compruebe si el adaptador inalámbrico está conectado al router inalámbrico correcto.
- Check the encryption settings.

- Compruebe si el canal inalámbrico en uso se puede utilizar en su zona/país.
- Consulte la configuración de cifrado.
- Consulte si la conexión de ADSL o Cable es correcta.
- Vuelva a intentarlo utilizando otro cable Ethernet.

Si el indicador luminoso “LINK” del Módem ADSL permanece iluminado o apagado, significa que no es posible acceder a Internet; el router no puede establecer una conexión con la red ADSL.

- Asegúrese de que todos los cables estén conectados correctamente.
- Desconecte el cable de alimentación del módem de ADSL o Cable, espere unos minutos y vuelva a conectarlo.
- Si el indicador ADSL continúa parpadeando o permanece APAGADO, póngase en contacto con su proveedor de servicios de ADSL.

He olvidado el nombre de la red o las claves de cifrado.

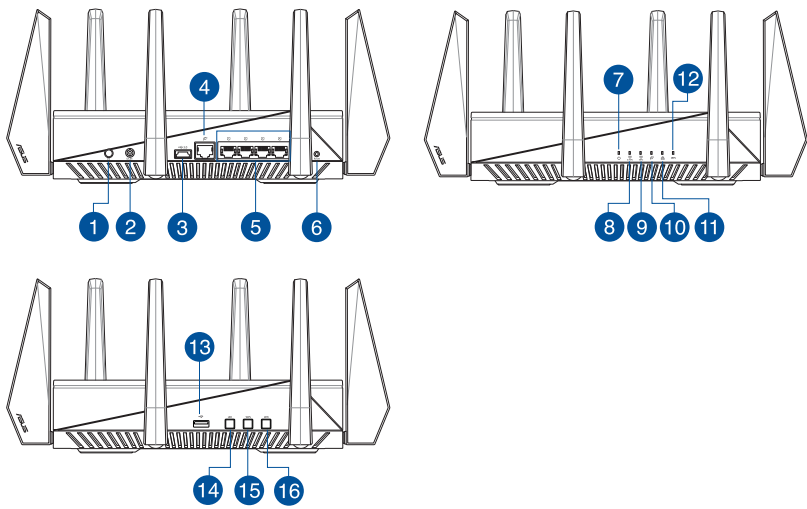
- Intente establecer la conexión por cable y configurar de nuevo el cifrado inalámbrico.
- Presione el botón Reiniciar del router inalámbrico durante más de cinco segundos.
- Valores predeterminados de fábrica:

| | | | | |
|-------------------------------------------------------------|------------------------------------------------------------------------------------------|------------------------------------|-----------------------------------------|-----------------------------------------|
| Nombre de usuario / Contraseña: admin / admin | Dirección IP: http://router. asus.com | red de 2,4 GHz: ASUS | red de 5-1 GHz: ASUS_5G-1 | red de 5-2 GHz: ASUS_5G-2 |
|-------------------------------------------------------------|------------------------------------------------------------------------------------------|------------------------------------|-----------------------------------------|-----------------------------------------|

¿De qué otros recursos dispongo para obtener más información acerca del router inalámbrico?

- El manual del usuario que incluye el CD de soporte
- El sitio web de preguntas más frecuentes: <http://support.asus.com/faq>
- El sitio web de soporte técnico: <http://support.asus.com/>
- Línea Directa: Consulte el número de la línea telefónica de soporte técnico en esta Guía de inicio rápido.

En snabbtitt på din RT-AC5300



| | |
|-------------------------|-----------------------------------------------------------------------------------------------------------------------------------------------------|
| 1 Strömbrytaren | 9 5GHz LED |
| 2 Strömingång (DC-IN) | 10 WAN (Internet) LED Röd: Ingen IP eller ingen fysisk anslutning. Vit: Har fysisk anslutning till ett wide area network (WAN). |
| 3 USB 3.0 Portar | 11 Lysdiod LAN |
| 4 WAN (Internet) Portar | 12 Lysdiod WPS |
| 5 LAN 1 ~ 4 Portar | 13 USB 2.0 Portar |
| 6 Återställningsknapp | 14 Lysdiod-knapp På/Av |
| 7 Strömlampa | 15 WPS knapp |
| 8 2.4GHz LED | 16 WiFi-knapp På/Av |

Förpackningens innehåll

- ☑ RT-AC5300
 - ☑ Nätverkskabel (RJ-45)
 - ☑ Support-CD (bruksanvisning)
 - ☑ Nätadapter
 - ☑ Snabbstartguide
-



OBS:

- Om någon av posterna är skadade eller saknas, kontakta din återförsäljare.
 - **USB externt HDD-/flashminne:**
 - Den trådlösa routern fungerar med de flesta USB HDD-/flashminnen upp till 2TB och stöder läs-/skriv-åtkomst för FAT16, FAT32, EXT2, EXT3 och NTFS.
 - För att avlägsna USB-minnet säkert ska du öppna webb-GUI (<http://router.asus.com>); i övre högra hörnet på sidan **Nätverkskarta** klicka på USB-ikonen och klicka på Eject USB 3.0 / USB 2.0 (Mata ut USB 3.0/USB 2.0).
 - Felaktig borttagning av USB-minne kan orsaka korruption av data.
 - För att se en lista över filsystem och hårddiskpartitioner som stöds av den trådlösa routern, gå till <http://event.asus.com/networks/disksupport>
 - För att se en lista över skrivare som stöds av den trådlösa routern, gå till <http://event.asus.com/networks/printersupport>
-

Installera din router

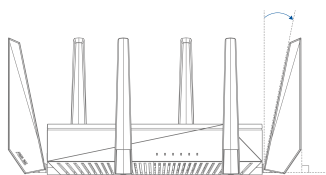
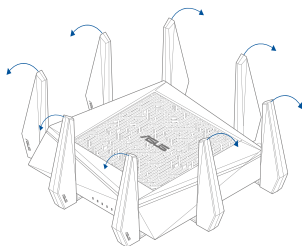


VIKTIGT: Innan routern installeras se till att det finns en tillgänglig internetanslutning

1. Placera din router

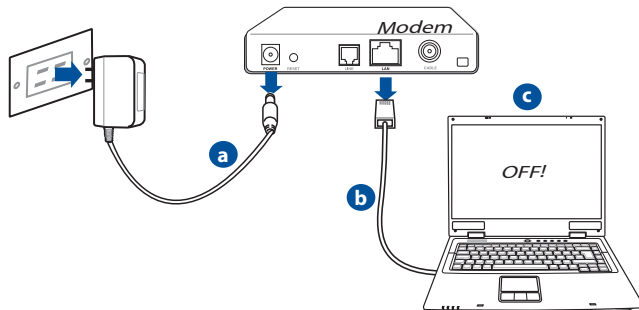
För bästa trådlösa signalsändning mellan den trådlösa routern och nätverksenheterna som är anslutna till den, se till att du:

- Placerar den trådlösa routern på en central plats för maximal trådlös täckning för nätverksenheterna.
- Håll enheten undan från metallhinder och undan från direkt solljus.
- Håll enheten borta från 802.11g eller 20MHz endast Wi-Fi-enheter, 2,4 GHz datorsutrustning, Bluetooth-enheter, sladdlösa telefoner, transformatorer, kraftiga motorer, fluorescerande ljus, mikrovågsugnar, kylskåp och andra industriella utrustningar för att förhindra signalstörningar eller signalförluster.
- Uppdatera alltid till den senaste firmware-versionen. Besök ASUS webbsida på <http://www.asus.com> för att hämta den senaste uppdateringen av enhetens firmware.
- För bästa trådlösa signal ska du rikta de 8 losstagbara antennerna på det sätt som visas i ritningen nedan.



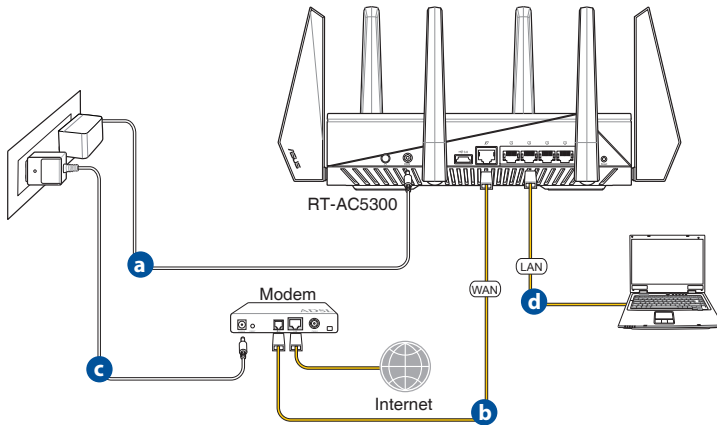
2. Förbered ditt modem.

- a: Koppla ifrån strömadaptern från strömuttaget och koppla ifrån den från ditt kabel-/ADSL-modem.
- b: Kopla ifrån nätverkskabeln från ditt kabel-/ADSL-modem.
- c: Starta om datorn (rekommenderas).



WARNING! Innan du kopplar ut ledningarna/kablarna ska du se till att kabel-/ADSL-modemet har varit avstängt i minst två minuter. Om modemet är försett med ett reservbatteri ska detta också avlägsnas.

3. Ställ in ditt trådlösa nätverk.



- Sätt in din trådlösa routers strömadapter i DC-IN porten och koppla in den i ett strömutfag.
- Använd en annan nätverkskabel och anslut ditt modem till din trådlösa routers WAN-port.
- Sätt in ditt modems strömadapter i DC-IN porten och koppla in den i ett strömutfag.
- Använd nätverkskabeln och anslut din dator till din trådlösa routers LAN-port.

4. Inaktivera vissa inställningar på datorn.

- Avaktivera proxyservern, om den är aktiverad.
- Ställ in TCP/IP inställningarna till erhåll en IP-adress automatiskt.
- Avaktivera upprigningsanslutningen om den är aktiverad.



OBS: För ytterligare detaljer om hur du inaktiverar datorns inställningar, se **Vanliga frågor**.

Quick Internet Setup (QIS/snabb internetinställning) med autotetektering

Quick Internet Setup (QIS) funktionen vägleder dig i snabbinställningen av din Internetanslutning.



OBS! Vid inställning av Internetanslutningen för första gången, tryck på Reset-knappen på din trådlösa router, för att återställa den till tillverkarens standardinställning.

Använda QIS med autotetektering:

1. Logga in på Web GUI QIS-sidan startar automatiskt.



ANMÄRKNINGAR:

- Standardanvändarnamn och -lösenord för din trådlösa routers Web GUI är **admin**.
- Den trådlösa routerns användarnamn och lösenord skiljer sig från 2,4 GHz/5 GHz nätverksnamn (SSID) och säkerhetsnyckel. Den trådlösa routerns användarnamn och lösenord ger dig möjlighet att logga in på din trådlösa routers Web GUI för att konfigurera inställningarna för den trådlösa routern. 2,4 GHz/5 GHz nätverksnamn (SSID) och säkerhetsnyckel ger Wi-Fi-enheter möjlighet att logga in och ansluta till ditt 2,4 GHz/5 GHz nätverk.

2. Den trådlösa routern upptäcker automatiskt om din ISP-anslutningstyp är **Dynamic IP (Dynamisk IP)**, **PPPoE**, **PPTP**, **L2TP** och **Static IP (Statisk IP)**. Knappa in den nödvändiga informationen för din ISP-anslutningstyp.



VIKTIGT! Skaffa den nödvändiga informationen om din Internetanslutningstyp från din ISP (internetleverantör).

för automatisk IP (DHCP)

ASUS

Skip Setup Wizard

Quick Internet Setup

Check Connection

Internet Setup

Router Setup

Automatic IP connection setup

Host Name(optional):

MAC Address(optional):

MAC Clone

MAC (Media Access Control) address is a unique identifier that identifies your computer or device in the network. ISPs monitor the MAC addresses of devices that connect to their services, and would disallow Internet connection for new MAC addresses. To fix this issue, you can do either of the following:

- Contact your ISP and request to update the MAC address associated with your ISP subscription. Once this is done, you can run the router's setup wizard again.
- Clone or change the MAC address of the new device to match the MAC address of the original device. If you just replaced an old router, you will find the old router's MAC address from its label. If you previously connected your computer to the modem, you will need to enter your computer's MAC address or click "MAC Clone" to clone your computer's MAC address.

Previous Next

för PPPoE, PPTP och L2TP

ASUS

Skip Setup Wizard

Quick Internet Setup

Check Connection

Internet Setup

Router Setup

Account Setting

Please enter your username and password

User Name

Password

Show password

MAC Address(optional)

MAC Clone

Enable VPN client

Special Requirement from ISP

Previous Next

Internet Connection Information

Enter the account name and password for your Internet service provider.

Account Name

Password

User Name

Password

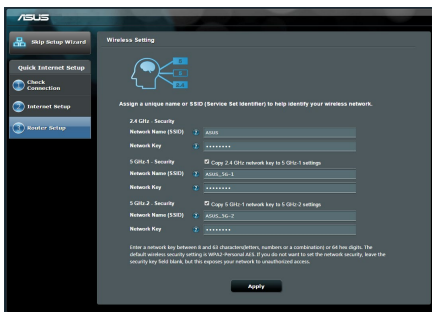
Enter the user name and password for your Internet connection information. These settings were given by your Internet Service Provider (ISP).



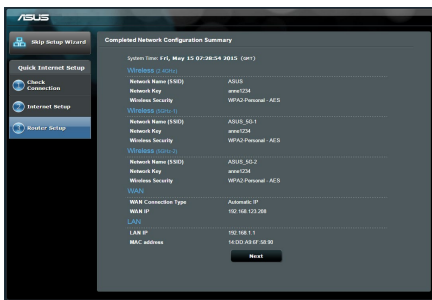
ANMÄRKNINGAR:

- Auto-detection (Autodetektering) av din ISP-anslutning sker när du konfigurerar den trådlösa routern första gången eller när din trådlösa router återställs till dess standardinställning.
- Om QIS misslyckas att detektera din Internetanslutningstyp klicka på **Skip to manual setting (Hoppa över till manuell inställning)** och konfigurerar din anslutningsinställning manuellt.

3. Tilldela det trådlösa nätverksnamnet (SSID) och säkerhetsnyckeln för din 2,4 GHz och 5 GHz trådlösa anslutning. Klicka på **Apply (Verkställ)** när du är klar.



4. Dina Internet- och trådlösa inställningar visas. Klicka på **Next (Nästa)** för att fortsätta.
5. Läs handledningen för den trådlösa nätverksanslutningen. När du är klar klicka på **Finish (Avsluta)**.



Ansluta till det trådlösa nätverket

Det finns två sätt som din trådlösa klient (bärbar dator, pekdator, smartphone osv.) kan ansluta till RT-AC5300:s trådlösa nätverk.

Anslut manuellt till det trådlösa nätverket

Anslut manuellt till det trådlösa nätverket:

1. Aktivera Wi-Fi-funktionen på din trådlösa klient för att söka efter tillgängliga trådlösa nätverk.
2. Välj det SSID eller nätverksnamn som du tilldelade ditt RT-AC5300- nätverk.
3. Ange lösenordet och klicka på **Connect (Anslut)**.

Ansluta till det trådlösa nätverket genom WPS

RT-AC5300 har ett WPS- (Wi-Fi Protected Setup) knapp så att du kan ansluta din trådlösa klient till RT-AC5300-nätverket utan att ange lösenord.

Ansluta till det trådlösa nätverket genom WPS:

1. Tryck på WPS-knappen på baksidan av RT-AC5300. Se avsnittet **En snabbtitt på din RT-AC5300** för WPS-knappens placering.
2. Tryck på WPS-knappen på din trådlösa klient inom två minuter eller följ WPS-instruktionerna som följde med den trådlösa klienten. När du ansluter via WPS, blinkar strömlysdioden snabbt.
3. Vänta till routerns strömlysdiod lyser med fast ljus och indikerar att anslutningen är klar mellan din router och din trådlösa klient.

Hantera routern via ASUSWRT grafiska webbanvändargränssnitt

Din trådlösa router levereras med det intuitiva grafiska webbanvändargränssnittet ASUSWRT. ASUSWRT ger dig möjlighet att enkelt konfigurera de olika funktionerna genom en webbläsare som t.ex. Internet Explorer, Firefox, Safari eller Google Chrome.



OBS: Använd sökfältet längst ner på gränssnittet för att få mer information från ASUS tekniska supportwebbplats <http://support.asus.com>



VIKTIGT:

- För mer detaljer om hur du använder routerns grafiska webbgränssnitt, se bruksanvisningen.
- Kontrollera alltid och uppdatera programvaran till den senaste versionen för bättre funktion.
- Besök ASUS nätverksvideokanal för handledningsvideor till speciella funktioner.



AiCloud

ASUS AiCloud-app ger dig åtkomst till dina data överallt och närhelst du har en Internetanslutning. Den ger dig också möjlighet att komma åt ditt ASUS WebStorage-konto via AiCloud mobilapp på din iOS- eller Android-enhet, eller via webbläsaren

Installera AiCloud:

1. Kontrollera att routerns programversion är den senaste och att den stödjer AiCloud.
2. Hämta AiCloud-appen från Google Play eller App Store.
3. Sätt i ditt USB-minne i routern. Se avsnittet **En snabbtitt på din RT-AC5300** för USB-portarnas placering.
4. Anslut din iOS- eller Android-enhet till routern via Wi-Fi. AiCloud-appen leder dig automatiskt genom installationen.
5. Nu kan du komma åt, strömma och dela alla filer på ditt USB-minne. Sök på ASUS AiCloud för mer information. Visa handledningsvideor för stegvis hjälp.



Google Play



App Store

Vanliga frågor

Jag har följt anvisningarna men jag kan fortfarande inte komma åt den trådlösa routerns grafiska användargränssnitt (webb-GUI) för att konfigurera inställningarna för den trådlösa routern.

Se till att datorns proxyinställningar är avaktiverade, så kan datorns IP-adress hämtas automatiskt från DHCP-servern. För detaljer om hur man avaktiverar proxyinställningarna, gå in på ASUS supportsida på <http://support.asus.com>. För detaljer om hur man använder DHCP-servern för att automatiskt hämta IP-adresser, se hjälpfunktionen i ditt Windows® eller Mac operativsystem.

Klienten kan inte upprätta en trådlös anslutning till routern.

Utanför området:

- Placera routern närmare den trådlösa klienten.
- Försök ändra kanalinställningarna.

Bekräftande:

- Använd trådanslutning för att ansluta till routern.
- Kontrollera säkerhetsinställningarna för trådlös anslutning.
- Tryck in knappen Återställ vid bakpanelen i över fem sekunder.

Kan inte hitta routern:

- Tryck in knappen Återställ vid bakpanelen i över fem sekunder.
- Kontrollera inställningen i den trådlösa adaptern, t.ex. SSID- och krypteringsinställningar.

Kan inte komma åt Internet via den trådlösa LAN-adaptern.

- Flytta routern närmare den trådlösa klienten.
- Kontrollera huruvida den trådlösa adaptern är ansluten till korrekt trådlös router.
- Kontrollera om den trådlösa kanalen som används överensstämmer med kanalerna som är tillgängliga i ditt land/område.
- Kontrollera krypteringsinställningarna.

- Kontrollera om ADSL- eller kabelanslutningen är korrekt.
- Försök igen med en annan Ethernet-kabel.

Om lampan vid ADSL "LINK" blinkar kontinuerligt eller är släckt går det inte att ansluta till Internet - routern kan inte upprätta en anslutning till ADSL-nätverket.

- Se till att alla kablar är korrekt anslutna.
- Koppla ur nätsladden från ADSL- eller kabelmodemet, vänta några minuter och anslut sedan sladden igen.
- Kontakta din ADSL-tjänsteleverantör om ADSL-lampan fortsätter att blinka eller är släckt.

Nätverksnamn eller krypteringsnycklar har glömts bort.

- Försök att skapa en trådanslutning och konfigurera krypteringsinställningen igen.
- Tryck på återställningsknappen i mer än fem sekunder för att ställa om eller återställa systemet till standardinställningarna från fabrik.
- Fabriksstandardinställningar:

| | | | | |
|--------------------------------------------------------|----------------------------------------------------------------------------------|--------------------------------------|-------------------------------------------|-------------------------------------------|
| Användarnamn/ lösenord: admin / admin | IP-adress: http://router.asus.com | 2,4 GHz-nätverk SSID: ASUS | 5 GHz-1 nätverk SSID: ASUS_5G-1 | 5 GHz-2 nätverk SSID: ASUS_5G-2 |
|--------------------------------------------------------|----------------------------------------------------------------------------------|--------------------------------------|-------------------------------------------|-------------------------------------------|

Var kan jag hitta ytterligare information om den trådlösa routern?

- Bruksanvisning på support-CD-skivan
- Online FAQ webbplatsen: <http://support.asus.com/faq>
- Teknisk support: <http://support.asus.com/>
- Kundhotline: Se support hotlineskärbilderna i Supplementguiden

ASUS Recycling/Takeback Services

ASUS recycling and takeback programs come from our commitment to the highest standards for protecting our environment. We believe in providing solutions for you to be able to responsibly recycle our products, batteries, other components, as well as the packaging materials. Please go to <http://csr.asus.com/english/Takeback.htm> for the detailed recycling information in different regions.

REACH

Complying with the REACH (Registration, Evaluation, Authorisation, and Restriction of Chemicals) regulatory framework, we published the chemical substances in our products at ASUS REACH website at <http://csr.asus.com/english/REACH.htm>

Federal Communications Commission Statement

This device complies with Part 15 of the FCC Rules. Operation is subject to the following two conditions:

- This device may not cause harmful interference.
- This device must accept any interference received, including interference that may cause undesired operation.

This equipment has been tested and found to comply with the limits for a class B digital device, pursuant to part 15 of the FCC Rules. These limits are designed to provide reasonable protection against harmful interference in a residential installation. This equipment generates, uses and can radiate radio frequency energy and, if not installed and used in accordance with the instructions, may cause harmful interference to radio communications. However, there is no guarantee that interference will not occur in a particular installation. If this equipment does cause harmful interference to radio or television reception, which can be determined by turning the equipment off and on, the user is encouraged to try to correct the interference by one or more of the following measures:

- Reorient or relocate the receiving antenna.
- Increase the separation between the equipment and receiver.
- Connect the equipment into an outlet on a circuit different from that to which the receiver is connected.
- Consult the dealer or an experienced radio/TV technician for help.



WARNING! Any changes or modifications not expressly approved by the party responsible for compliance could void the user's authority to operate the equipment.

Prohibition of Co-location

This device and its antenna(s) must not be co-located or operating in conjunction with any other antenna or transmitter.

IMPORTANT NOTE:

Radiation Exposure Statement: This equipment complies with FCC radiation exposure limits set forth for an uncontrolled environment. End users must follow the specific operating instructions for satisfying RF exposure compliance. To maintain compliance with FCC exposure compliance requirement, please follow operation instruction as documented in this manual.



WARNING! This equipment must be installed and operated in accordance with provided instructions and the antenna(s) used for this transmitter must be installed to provide a separation distance of at least 20 cm from all persons and must not be co-located or operating in conjunction with any other antenna or transmitter.

Compliance Statement of Innovation, Science and Economic Development Canada (ISED)

This device complies with Innovation, Science and Economic Development Canada licence exempt RSS standard(s). Operation is subject to the following two conditions: (1) this device may not cause interference, and (2) this device must accept any interference, including interference that may cause undesired operation of the device.

Operation in the band 5150–5250 MHz is only for indoor use to reduce the potential for harmful interference to co-channel mobile satellite systems.

CAN ICES-3(B)/NMB-3(B)

Radio Frequency (RF) Exposure Information

The radiated output power of the ASUS Wireless Device is below the Innovation, Science and Economic Development Canada radio frequency exposure limits. The ASUS Wireless Device should be used in such a manner such that the potential for human contact during normal operation is minimized.

This equipment should be installed and operated with a minimum distance of 20 cm between the radiator any part of your body.

This device has been certified for use in Canada. Status of the listing in the Innovation, Science and Economic Development Canada's REL (Radio Equipment List) can be found at the following web address:

http://www.ic.gc.ca/eic/site/ceb-bhst.nsf/eng/h_tt00020.html

Additional Canadian information on RF exposure also can be found at the following web:

<https://www.ic.gc.ca/eic/site/smt-gst.nsf/eng/sf08792.html>

Déclaration de conformité de Innovation, Sciences et Développement économique Canada (ISED)

Le présent appareil est conforme aux CNR d'Innovation, Sciences et Développement économique Canada applicables aux appareils radio exempts de licence. L'exploitation est autorisée aux deux conditions suivantes : (1) l'appareil ne doit pas produire de brouillage, et (2) l'utilisateur de l'appareil doit accepter tout brouillage radioélectrique subi, même si le brouillage est susceptible d'en compromettre le fonctionnement.

La bande 5150 – 5250 MHz est réservée uniquement pour une utilisation à l'intérieur afin de réduire les risques de brouillage préjudiciable aux systèmes de satellites mobiles utilisant les mêmes canaux.

CAN ICES-3(B)/NMB-3(B)

Informations concernant l'exposition aux fréquences radio (RF)

La puissance de sortie émise par cet appareil sans fil est inférieure à la limite d'exposition aux fréquences radio d'Innovation, Sciences et Développement économique du Canada (ISED). Utilisez l'appareil sans fil de façon à minimiser les contacts humains lors d'un fonctionnement normal.

Cet équipement doit être installé et utilisé avec un minimum de 20 cm de distance entre la source de rayonnement et votre corps.

L'utilisation de cet appareil est autorisée au Canada. Pour consulter l'entrée correspondant à l'appareil dans la liste d'équipement radio (REL - Radio Equipment List) d'Innovation, Sciences et Développement économique du Canada, rendez-vous sur :

http://www.ic.gc.ca/eic/site/ceb-bhst.nsf/eng/h_tt00020.html

Pour des informations supplémentaires concernant l'exposition aux fréquences radio au Canada, rendez-vous sur : <https://www.ic.gc.ca/eic/site/smt-gst.nsf/eng/sf08792.html>



Precautions for the use of the device

- a. Pay particular attention to the personal safety when use this device in airports, hospitals, gas stations and professional garages.
- b. Medical device interference: Maintain a minimum distance of at least 15 cm (6 inches) between implanted medical devices and ASUS products in order to reduce the risk of interference.
- c. Kindly use ASUS products in good reception conditions in order to minimize the radiation's level.
- d. Keep the device away from pregnant women and the lower abdomen of the teenager.

Précautions d'emploi de l'appareil

- a. Soyez particulièrement vigilant quant à votre sécurité lors de l'utilisation de cet appareil dans certains lieux (les avions, les aéroports, les hôpitaux, les stations-service et les garages professionnels).
- b. Évitez d'utiliser cet appareil à proximité de dispositifs médicaux implantés. Si vous portez un implant électronique (stimulateurs cardiaques, pompes à insuline, neurostimulateurs...), veuillez impérativement respecter une distance minimale de 15 centimètres entre cet appareil et votre corps pour réduire les risques d'interférence.
- c. Utilisez cet appareil dans de bonnes conditions de réception pour minimiser le niveau de rayonnement. Ce n'est pas toujours le cas dans certaines zones ou situations, notamment dans les parkings souterrains, dans les ascenseurs, en train ou en voiture ou tout simplement dans un secteur mal couvert par le réseau.
- d. Tenez cet appareil à distance des femmes enceintes et du bas-ventre des adolescents.

Условия эксплуатации:

- Температура эксплуатации устройства: 0-40 °С. Не используйте устройство в условиях экстремально высоких или низких температур.
- Не размещайте устройство вблизи источников тепла, например, рядом с микроволновой печью, духовым шкафом или радиатором.
- Использование несовместимого или несертифицированного адаптера питания может привести к возгоранию, взрыву и прочим опасным последствиям.
- При подключении к сети электропитания устройство следует располагать близко к розетке, к ней должен осуществляться беспрепятственный доступ.
- Утилизация устройства осуществляется в соответствии с местными законами и положениями. Устройство по окончании срока службы должны быть переданы в сертифицированный пункт сбора для вторичной переработки или правильной утилизации.
- Данное устройство не предназначено для детей. Дети могут пользоваться устройством только в присутствии взрослых.
- Не выбрасывайте устройство и его комплектующие вместе с обычными бытовыми отходами.



AEEE Yönetmeliğine Uygundur. IEEE Yönetmeliğine Uygundur.



- Bu Cihaz Türkiye analog şebekelerde çalışabilecek şekilde tasarlanmıştır.
- Cihazın ayrıntılı kurulum rehberi kutu içeriğinden çıkan CD içerisinde. Cihazın kullanıcı arayüzü Türkçe'dir.
- Cihazın kullanılması planlanan ülkelerde herhangi bir kısıtlaması yoktur. Ülkeler simgeler halinde kutu üzerinde belirtilmiştir.

| | |
|--------------------------------------------|----------------------------------------------------------------------------------------------------------------------------------------------------------------------------------------------------------------------|
| Manufacturer | ASUSTeK Computer Inc. Tel: +886-2-2894-3447 Address: 4F, No. 150, LI-TE RD., PEITOU, TAIPEI 112, TAIWAN |
| Authorised representative in Europe | ASUS Computer GmbH Address: HARKORT STR. 21-23, 40880 RATINGEN, GERMANY |
| Authorised distributors in Turkey | BOGAZICI BILGISAYAR TICARET VE SANAYI A.S. Tel./FAX No.: +90 212 331 10 00 / +90 212 332 28 90 Address: ESENTEPE MAH. BUYUKDERE CAD. ERCAN HAN B BLOK NO.121 SISLI, ISTANBUL 34394 |
| | CIZGI Elektronik San. Tic. Ltd. Sti. Tel./FAX No.: +90 212 356 70 70 / +90 212 356 70 69 Address: GURSEL MAH. AKMAN SK.47B 1 KAGITHANE/ISTANBUL |
| | KOYUNCU ELEKTRONİK BİLGİ İŞLEM SİST. SAN. VE DİŞ TIC. A.S. Tel. No.: +90 216 5288888 Address: EMEK MAH.ORDU CAD. NO:18, SARIGAZI, SANCAKTEPE ISTANBUL |
| | ENDEKS BİLİŞİM SAN VE DİŞ TIC LTD ŞTİ Tel./FAX No.: +90 216 523 35 70 / +90 216 523 35 71 Address: NECİP FAZİL BULVARI, KEYAP CARSI SITESİ, G1 BLOK, NO:115 Y.DUDULLU, UMRANIYE, ISTANBUL |
| | PENTA TEKNOLOJİ URUNLERİ DAGITIM TICARET A.S Tel./FAX No.: +90 216 528 0000 Address: ORGANİZE SANAYİ BOLGESİ NATO YOLU 4.CADDE NO:1 UMRANIYE, ISTANBUL 34775 |

Networks Global Hotline Information

| Area | Country/ Region | Hotline Number | Service Hours |
|----------------|----------------------------|----------------------------------------|--------------------------------------------|
| Europe | Cyprus | 800-92491 | 09:00-13:00 ; 14:00-18:00 Mon-Fri |
| | France | 0033-170949400 | 09:00-18:00 Mon-Fri |
| | Germany | 0049-1805010920 | |
| | | 0049-1805010923 (component support) | 09:00-18:00 Mon-Fri 10:00-17:00 Mon-Fri |
| | | 0049-2102959911 (Fax) | |
| | Hungary | 0036-15054561 | 09:00-17:30 Mon-Fri |
| | Italy | 199-400089 | 09:00-13:00 ; 14:00-18:00 Mon-Fri |
| | Greece | 00800-44142044 | 09:00-13:00 ; 14:00-18:00 Mon-Fri |
| | Austria | 0043-820240513 | 09:00-18:00 Mon-Fri |
| | Netherlands/ Luxembourg | 0031-591570290 | 09:00-17:00 Mon-Fri |
| | Belgium | 0032-78150231 | 09:00-17:00 Mon-Fri |
| | Norway | 0047-2316-2682 | 09:00-18:00 Mon-Fri |
| | Sweden | 0046-858769407 | 09:00-18:00 Mon-Fri |
| | Finland | 00358-969379690 | 10:00-19:00 Mon-Fri |
| | Denmark | 0045-38322943 | 09:00-18:00 Mon-Fri |
| | Poland | 0048-225718040 | 08:30-17:30 Mon-Fri |
| | Spain | 0034-902889688 | 09:00-18:00 Mon-Fri |
| | Portugal | 00351-707500310 | 09:00-18:00 Mon-Fri |
| | Slovak Republic | 00421-232162621 | 08:00-17:00 Mon-Fri |
| | Czech Republic | 00420-596766888 | 08:00-17:00 Mon-Fri |
| | Switzerland-German | 0041-848111010 | 09:00-18:00 Mon-Fri |
| | Switzerland-French | 0041-848111014 | 09:00-18:00 Mon-Fri |
| | Switzerland-Italian | 0041-848111012 | 09:00-18:00 Mon-Fri |
| United Kingdom | 0044-1442265548 | 09:00-17:00 Mon-Fri | |
| Ireland | 0035-31890719918 | 09:00-17:00 Mon-Fri | |
| Russia and CIS | 008-800-100-ASUS | 09:00-18:00 Mon-Fri | |
| Ukraine | 0038-0445457727 | 09:00-18:00 Mon-Fri | |

Networks Global Hotline Information

| Area | Country/ Region | Hotline Numbers | Service Hours |
|--------------|--------------------------------------------------------------|----------------------------------------------------------|-------------------------|
| Asia-Pacific | Australia | 1300-278788 | 09:00-18:00 Mon-Fri |
| | New Zealand | 0800-278788 | 09:00-18:00 Mon-Fri |
| | Japan | 0800-1232787 | 09:00-18:00 Mon-Fri |
| | | | 09:00-17:00 Sat-Sun |
| | | 0081-570783886 (Non-Toll Free) | 09:00-18:00 Mon-Fri |
| | | | 09:00-17:00 Sat-Sun |
| | Korea | 0082-215666868 | 09:30-17:00 Mon-Fri |
| | Thailand | 0066-24011717 1800-8525201 | 09:00-18:00 Mon-Fri |
| | | | |
| | Singapore | 0065-64157917 0065-67203835 (Repair Status Only) | 11:00-19:00 Mon-Fri |
| | | | 11:00-13:00 Sat |
| | Malaysia | 1300-88-3495 | 9:00-18:00 Mon-Fri |
| | Philippine | 1800-18550163 | 09:00-18:00 Mon-Fri |
| | India | 1800-2090365 | 09:00-18:00 Mon-Sat |
| | | | 09:00-21:00 Mon-Sun |
| Indonesia | 0062-2129495000 500128 (Local Only) | 09:30-17:00 Mon-Fri | |
| | | 9:30 – 12:00 Sat | |
| Vietnam | 1900-555581 | 08:00-12:00 | |
| | | 13:30-17:30 Mon-Sat | |
| Hong Kong | 00852-35824770 | 10:00-19:00 Mon-Sat | |
| Taiwan | 0800-093-456; 02-81439000 | 9:00-12:00 Mon-Fri; | |
| | | 13:30-18:00 Mon-Fri | |
| Americas | USA | | 8:30-12:00 EST Mon-Fri |
| | Canada | 1-812-282-2787 | 9:00-18:00 EST Sat-Sun |
| | Mexico | 001-8008367847 | 08:00-20:00 CST Mon-Fri |
| | | | 08:00-15:00 CST Sat |
| Brazil | 4003 0988 (Capital) 0800 880 0988 (demais localidades) | 9:00am-18:00 Mon-Fri | |

Networks Global Hotline Information

| Area | Country/ Region | Hotline Numbers | Service Hours |
|-----------------------------|--------------------|----------------------------------------------|--------------------------------------------|
| Middle East + Africa | Egypt | 800-2787349 | 09:00-18:00 Sun-Thu |
| | Saudi Arabia | 800-1212787 | 09:00-18:00 Sat-Wed |
| | UAE | 00971-42958941 | 09:00-18:00 Sun-Thu |
| | Turkey | 0090-2165243000 | 09:00-18:00 Mon-Fri |
| | South Africa | 0861-278772 | 08:00-17:00 Mon-Fri |
| | Israel | *6557/00972-39142800 *9770/00972-35598555 | 08:00-17:00 Sun-Thu 08:30-17:30 Sun-Thu |
| Balkan Countries | Romania | 0040-213301786 | 09:00-18:30 Mon-Fri |
| | Bosnia Herzegovina | 00387-33773163 | 09:00-17:00 Mon-Fri |
| | Bulgaria | 00359-70014411 | 09:30-18:30 Mon-Fri |
| | | 00359-29889170 | 09:30-18:00 Mon-Fri |
| | Croatia | 00385-16401111 | 09:00-17:00 Mon-Fri |
| | Montenegro | 00382-20608251 | 09:00-17:00 Mon-Fri |
| | Serbia | 00381-112070677 | 09:00-17:00 Mon-Fri |
| | | 00368-59045400 00368-59045401 | 08:00-16:00 Mon-Fri |
| Baltic Countries | Estonia | 00372-6671796 | 09:00-18:00 Mon-Fri |
| | Latvia | 00371-67408838 | 09:00-18:00 Mon-Fri |
| | Lithuania-Kaunas | 00370-37329000 | 09:00-18:00 Mon-Fri |
| | Lithuania-Vilnius | 00370-522101160 | 09:00-18:00 Mon-Fri |



NOTES:

- UK support e-mail: network_support_uk@asus.com
- For more information, visit the ASUS support site at: <https://www.asus.com/support/>

English

CE statement

Simplified EU Declaration of Conformity

ASUSTek Computer Inc. hereby declares that this device is in compliance with the essential requirements and other relevant provisions of Directive 2014/53/EU. Full text of EU declaration of conformity is available at https://www.asus.com/Networking/RT-AC5300/HelpDesk_Declaration/.

Declaration of Conformity for Ecodesign directive 2009/125/EC


Testing for eco-design requirements according to (EC) No 1275/2008 and (EU) No 801/2013 has been conducted. When the device is in Networked Standby Mode, its I/O and network interface are in sleep mode and may not work properly. To wake up the device, press the Wi-Fi on/off, LED on/off, reset, or WPS button. This equipment complies with EU radiation exposure limits set forth for an uncontrolled environment. This equipment should be installed and operated with minimum distance 20 cm between the radiator & your body. All operational modes:

2.4GHz: 802.11b, 802.11g, 802.11n (HT20), 802.11n (HT40), 802.11ac (VHT20), 802.11ac (VHT40)
5GHz: 802.11a, 802.11n (HT20), 802.11n (HT40), 802.11ac (VHT20), 802.11ac (VHT40), 802.11ac (VHT80)

The frequency, mode and the maximum transmitted power in EU are listed below:

2412-2472MHz (802.11g 6 Mbps): 19.96 dBm
5180-5240MHz (802.11ac VHT20 MCS0): 22.97 dBm
5260-5320MHz (802.11ac VHT40 MCS0): 22.97 dBm
5500-5700MHz (802.11ac VHT80 MCS0): 29.98 dBm

The device is restricted to indoor use only when operating in the 5150 to 5350 MHz frequency range. The adapter shall be installed near the equipment and shall be easily accessible.

| | | | | | | | |
|----------------------------------------------------------------------------------|----|----|----|----|----|----|----|
|  | AT | BE | BG | CZ | DK | EE | FR |
| | DE | IS | IE | IT | EL | ES | CY |
| | LV | LI | LT | LU | HU | MT | NL |
| | NO | PL | PT | RO | SI | SK | TR |
| | FI | SE | CH | UK | HR | UA | |

Safety Notices

- Use this product in environments with ambient temperatures between 0°C(32°F) and 40°C(104°F).
- Refer to the rating label on the bottom of your product and ensure your power adapter complies with this rating.
- DO NOT place on uneven or unstable work surfaces. Seek servicing if the casing has been damaged.
- DO NOT place or drop objects on top and do not shove any foreign objects into the product.
- DO NOT expose to or use near liquids, rain, or moisture. DO NOT use the modem during electrical storms.
- DO NOT cover the vents on the product to prevent the system from getting overheated.
- DO NOT use damaged power cords, accessories, or other peripherals.
- If the Adapter is broken, do not try to fix it by yourself. Contact a qualified service technician or your retailer.
- To prevent electrical shock hazard, disconnect the power cable from the electrical outlet before relocating the system.

Danish

CE statement

Forenklet EU-overensstemmelseserklæringen

ASUSTek Computer Inc. erklærer herved, at denne enhed er i overensstemmelse med hovedkravene og øvrige relevante bestemmelser i direktiv 2014/53/EU. Hele EU-overensstemmelseserklæringen kan findes på https://www.asus.com/Networking/RT-AC5300/HelpDesk_Declaration/.

Overensstemmelseserklæring for miljøvenligt design i direktiv 2009/125/EC

Vedrørende testkrav af øko-design i henhold til (EC) nr. 1275/2008 og (EU) nr. 801/2013 er blevet gennemført. Når enheden er på netværk-standby, er dens I/O og netværksgrænseflade i dvale, og vil muligvis ikke virke ordentligt. For at aktivere enheden, skal du trykke på trådløs til/fra, LED til/fra, nulstil eller WPS-knappen. Dette udstyr er i overensstemmelse med EU's grænser, der er gældende i et ukontrolleret miljø. Dette udstyr skal installeres og bruges mindst 20 cm mellem radiatoren og din krop.

Alle driftsfunktioner:

2.4GHz: 802.11b, 802.11g, 802.11n (HT20), 802.11n (HT40), 802.11ac (VHT20), 802.11ac (VHT40)

5GHz: 802.11a, 802.11n (HT20), 802.11n (HT40), 802.11ac (VHT20), 802.11ac (VHT40), 802.11ac (VHT80)

Frekvensen, indstillingen og den maksimale overførte effekt i EU er anført på listen nedenfor:

2412-2472MHz (802.11g 6 Mbps): 19.96 dBm


5180-5240MHz (802.11ac VHT20 MCS0): 22.97 dBm

5260-5320MHz (802.11ac VHT40 MCS0): 22.97 dBm

5500-5700MHz (802.11ac VHT80 MCS0): 29.98 dBm

Denne enhed er begrænset til indendørs brug, hvis den bruges på frekvensområdet 5150-5350 MHz.

Adapteren skal bruges i nærheden af udstyret, og skal være let tilgængelig.

| | | | | | | | |
|----------------------------------------------------------------------------------|----|----|----|----|----|----|----|
|  | AT | BE | BG | CZ | DK | EE | FR |
| | DE | IS | IE | IT | EL | ES | CY |
| | LV | LI | LT | LU | HU | MT | NL |
| | NO | PL | PT | RO | SI | SK | TR |
| | FI | SE | CH | UK | HR | UA | |

Safety Notices

- Anvend produktet i omgivelser med temperaturer på mellem 0°C(32°F) og 40°C(104°F).
- Sørg for, at din strømadapter passer til strømoplysninger, der findes på bunden af dit produkt.
- Anbring IKKE på ujævne eller ustabile arbejdsoverflader. Send til reparation, hvis kabinettet er blevet beskadiget.
- Der må IKKE placeres eller tabes genstande på produktet. Og der må IKKE stikkes fremmedlegemer ind i produktet.
- Udsæt og brug den IKKE i nærheden af væsker, regn eller fugt. Brug IKKE modemmet under uvejr.
- Tildæk IKKE ventilationshullerne på produktet, da system ellers kan overophede.
- Brug IKKE beskadigede el-ledninger, perifere enheder og beskadiget tilbehør.
- Hvis strømforsyningen går i stykker, må du ikke prøve på selv at reparere den. Kontakt en autoriseret servicetekniker eller forhandleren.
- For at undgå faren for elektrisk stød, skal du fjerne netledningen fra stikkontakten, inden du flytter systemet til et andet sted.

Dutch CE statement

Vereenvoudigde EU-conformiteitsverklaring

ASUSTek Computer Inc. verklaart dat dit apparaat in overeenstemming is met de essentiële vereisten en andere relevante bepalingen van Richtlijn 2014/53/EU. Volledige tekst EU-conformiteitsverklaring is beschikbaar op https://www.asus.com/Networking/RT-AC5300/HelpDesk_Declaration/.

Conformiteitsverklaring voor Ecodesign Richtlijn 2009/125/EG

Testen van vereisten van ecodesign overeenkomstig (EG) nr. 1275/2008 en (EU) nr. 801/2013 zijn uitgevoerd. Wanneer het apparaat in de modus Stand-by in netwerk staat, staan de I/O en netwerkinterface in de slaapstand en werken wellicht niet goed. Om het apparaat uit de slaapstand te halen, drukt u op de knop Wi-Fi aan/uit, LED aan/uit, reset of WPS.

Deze apparatuur voldoet aan EU-limieten voor blootstelling aan straling als uiteengezet voor een onbeheerste omgeving. Deze apparatuur moet worden geïnstalleerd en bediend met een minimumafstand van 20 cm tussen de radiator en uw lichaam.

Alle bedrijfsmodi:


2.4GHz: 802.11b, 802.11g, 802.11n (HT20), 802.11n (HT40), 802.11ac (VHT20), 802.11ac (VHT40)
5GHz: 802.11a, 802.11n (HT20), 802.11n (HT40), 802.11ac (VHT20), 802.11ac (VHT40), 802.11ac (VHT80)

De frequentie, modus en het afgegeven maximumvermogen in de EU wordt hieronder vermeld:

2412-2472MHz (802.11g 6 Mbps): 19.96 dBm
5180-5240MHz (802.11ac VHT20 MCS0): 22.97 dBm
5260-5320MHz (802.11ac VHT40 MCS0): 22.97 dBm
5500-5700MHz (802.11ac VHT80 MCS0): 29.98 dBm

Het apparaat is beperkt tot alleen binnengebruik bij werking in het frequentiebereik van 5150 tot 5350 MHz.

De adapter moet zich in de buurt van het apparaat bevinden en moet gemakkelijk toegankelijk zijn.

| | | | | | | | |
|----------------------------------------------------------------------------------|----|----|----|----|----|----|----|
|  | AT | BE | BG | CZ | DK | EE | FR |
| | DE | IS | IE | IT | EL | ES | CY |
| | LV | LI | LT | LU | HU | MT | NL |
| | NO | PL | PT | RO | SI | SK | TR |
| | FI | SE | CH | UK | HR | UA | |

Safety Notices

- Gebruik dit product in omgevingen met omgevingstemperaturen tussen 0°C (32°F) en 40°C (104°F).
- Raadpleeg het typeplaatje op de onderkant van uw product en controleer of uw voedingsadapter voldoet aan dit type.
- NIET op onegale of instabiele werkoppervlakken plaatsen. Als de behuizing beschadigd is geraakt, dient u hulp bij onderhoud hulp te zoeken.
- Plaats of laat GEEN objecten vallen bovenop het product en schuif geen vreemde objecten in het product.
- NIET in de buurt van vloeistoffen, regen of vocht blootstellen of gebruiken. NIET de modem tijdens onweer gebruiken.
- Dek de uitlaatopeningen van het product NIET AF zodat het systeem niet oververhit raakt.
- NIET de ventilatieopeningen van de Desktop PC afdekken, om oververhitting van het systeem te voorkomen.
- Als de netvoeding is beschadigd, mag u niet proberen het zelf te repareren. Neem contact op met een bevoegde servicemonteur of uw handelaar.
- Verwijder, voordat u het systeem verplaatst, de stroomkabel uit de contactdoos om elektrische schok te vermijden.

French

CE statement

Déclaration simplifiée de conformité de l'UE

ASUSTek Computer Inc. déclare par la présente que cet appareil est conforme aux critères essentiels et autres clauses pertinentes de la directive 2014/53/UE. La déclaration de conformité de l'UE peut être téléchargée à partir du site internet suivant: https://www.asus.com/Networking/RT-AC5300/HelpDesk_Declaration/.

Déclaration de conformité (Directive sur l'écoconception 2009/125/CE)

Test de la conformité aux exigences d'écoconception selon [CE 1275/2008] et [UE 801/2013]. Lorsque l'appareil est en mode Networked Standby, son panneau d'E/S et son interface réseau sont en mode veille et peuvent ne pas fonctionner correctement. Pour sortir l'appareil du mode veille, appuyez sur le bouton Wi-Fi, LED, de réinitialisation ou WPS.

Cet appareil a été testé et s'est avéré conforme aux limites établies par l'UE en terme d'exposition aux radiations dans un environnement non contrôlé. Cet équipement doit être installé et utilisé avec un minimum de 20 cm de distance entre la source de rayonnement et votre corps.

Tous les modes de fonctionnement:


2.4GHz: 802.11b, 802.11g, 802.11n (HT20), 802.11n (HT40), 802.11ac (VHT20), 802.11ac (VHT40)
5GHz: 802.11a, 802.11n (HT20), 802.11n (HT40), 802.11ac (VHT20), 802.11ac (VHT40), 802.11ac (VHT80)

La fréquence, le mode et la puissance maximale transmise de l'UE sont listés ci-dessous:

2412-2472MHz (802.11g 6 Mbps): 19.96 dBm
5180-5240MHz (802.11ac VHT20 MCS0): 22.97 dBm
5260-5320MHz (802.11ac VHT40 MCS0): 22.97 dBm
5500-5700MHz (802.11ac VHT80 MCS0): 29.98 dBm

Cet appareil est restreint à une utilisation en intérieur lors d'un fonctionnement dans la plage de fréquence de 5150 à 5350 MHz.

L'adaptateur doit être installé à proximité de l'équipement et être aisément accessible.

| | | | | | | | |
|----------------------------------------------------------------------------------|----|----|----|----|----|----|----|
|  | AT | BE | BG | CZ | DK | EE | FR |
| | DE | IS | IE | IT | EL | ES | CY |
| | LV | LI | LT | LU | HU | MT | NL |
| | NO | PL | PT | RO | SI | SK | TR |
| | FI | SE | CH | UK | HR | UA | |

Safety Notices

- Utilisez ce produit dans un environnement dont la température ambiante est comprise entre 0°C (32°F) et 40°C (104°F).
- Référez-vous à l'étiquette située au dessous du produit pour vérifier que l'adaptateur secteur répond aux exigences de tension.
- NE PAS placer sur une surface irrégulière ou instable. Contactez le service après-vente si le châssis a été endommagé.
- NE PAS placer, faire tomber ou insérer d'objets sur/dans le produit.
- NE PAS exposer l'appareil à la pluie ou à l'humidité, tenez-le à distance des liquides. NE PAS utiliser le modem lors d'un orage.
- NE PAS bloquer les ouvertures destinées à la ventilation du système pour éviter que celui-ci ne surchauffe.
- NE PAS utiliser de cordons d'alimentation, d'accessoires ou autres périphériques endommagés.
- Si l'adaptateur est endommagé, n'essayez pas de le réparer vous-même. Contactez un technicien électrique qualifié ou votre revendeur.
- Pour éviter tout risque de choc électrique, débranchez le câble d'alimentation de la prise électrique avant de toucher au système.

Finnish

CE statement

Yksinkertaistettu EU-vaatimustenmukaisuusvakuutus

ASUSTek Computer Inc. vakuuttaa täten, että tämä laite on 2014/53/EU-direktiivin olennaisten vaatimusten ja muiden asiaan kuuluvien lisäysten mukainen. Koko EU-vaatimustenmukaisuusvakuutuksen teksti on nähtävissä osoitteessa https://www.asus.com/Networking/RT-AC5300/HelpDesk_Declaration/.

Ekologisen suunnittelun direktiivin 2009/125/EY-vaatimustenmukaisuusvakuutus

Testaus (EY) N:o 1275/2008:n ja (EU) N:o 801/2013:n mukaisista ekologisista suunnitteluvaatimuksista on suoritettu. Kun laite on verkossa valmiustilassa, sen I/O- ja verkkoliittymä ovat lepotilassa eivätkä ne ehkä toimi oikein. Herättääksesi laitteen, paina Wi-Fi päälle/pois -, LED päälle/pois -, nollaa- tai WPS-painiketta.

Tämä laite täyttää EU-säteilyrajoitukset, jotka on asetettu hallitsemattomaan ympäristöön. Tämä laitteisto tulee asentaa ja sitä tulee käyttää siten, että säteilijän ja kehosi välinen etäisyys on vähintään 20 cm.

Kaikki käyttötilat:


2.4GHz: 802.11b, 802.11g, 802.11n (HT20), 802.11n (HT40), 802.11ac (VHT20), 802.11ac (VHT40)
5GHz: 802.11a, 802.11n (HT20), 802.11n (HT40), 802.11ac (VHT20), 802.11ac (VHT40), 802.11ac (VHT80)

Taajuus, tila maksimi lähetetty teho EU:ssa on listattu alla:

2412-2472MHz (802.11g 6 Mbps): 19.96 dBm
5180-5240MHz (802.11ac VHT20 MCS0): 22.97 dBm
5260-5320MHz (802.11ac VHT40 MCS0): 22.97 dBm
5500-5700MHz (802.11ac VHT80 MCS0): 29.98 dBm

Tämän laitteen käyttö on rajoitettu sisätiloihin 5 150 - 5 350 MHz:in-taajuusalueella.

Verkkolaite tulee liittää lähelle laitetta helposti tavoitettavissa olevaan paikkaan.

| | | | | | | | |
|----------------------------------------------------------------------------------|----|----|----|----|----|----|----|
|  | AT | BE | BG | CZ | DK | EE | FR |
| | DE | IS | IE | IT | EL | ES | CY |
| | LV | LI | LT | LU | HU | MT | NL |
| | NO | PL | PT | RO | SI | SK | TR |
| | FI | SE | CH | UK | HR | UA | |
| | | | | | | | |

Safety Notices

- Käytä tätä tuotetta ympäristöissä, joissa ympäristölämpötila on välillä 0°C (32°F) ja 40°C (104°F).
- Varmista tuotteen pohjassa sijaitsevasta arvokilvestä vastaako verkkolaite tätä nimellisarvoa.
- ÄLÄ aseta epätasaisille tai epävakaille pinnoille. Ota yhteys huoltoon, jos kotelo on vahingoittunut.
- ÄLÄ aseta tai pudota esineitä laitteen päälle äläkä anna minkään vieraiden esineiden joutua tuotteen sisään.
- ÄLÄ altista nesteille, sateelle tai kosteudelle tai käytä niiden lähellä. ÄLÄ käytä modeemia ukkosmyrskyn aikana.
- ÄLÄ peitä tuotteen tuuletusaukkoja estääksesi tuotteen ylikuumenemisen.
- ÄLÄ käytä vahingoittuneita virtajohtoja, lisävarusteita tai muita oheislaitteita.
- Jos virtalähde on rikkoutunut, älä itse yritä sitä korjata. Ota yhteys ammattimaiseen huoltohenkilöön tai jälleenmyyjäsi.
- Estääksesi sähköiskun vaaran irrota virtakaapeli pistorasiasta ennen järjestelmän paikan muuttamista.

German

CE statement

Vereinfachte EU-Konformitätserklärung

ASUSTeK Computer Inc. erklärt hiermit, dass dieses Gerät mit den grundlegenden Anforderungen und anderen relevanten Bestimmungen der Richtlinie 2014/53/EU übereinstimmt. Der gesamte Text der EU-Konformitätserklärung ist verfügbar unter: <https://www.asus.com/Networking/RT-AC5300/HelpDesk/Declaration/>.

Konformitätserklärung für Ökodesign-Richtlinie 2009/125/EC

Die Überprüfung der Ökodesign-Anforderungen nach (EC) Nr. 1275/2008 und (EU) Nr. 801/2013 wurde durchgeführt. Wenn sich das Gerät im Netzwerkbereitschaftsmodus befindet, werden die E/A- und Netzwerkschnittstellen in den Ruhezustand versetzt und arbeiten nicht wie gewöhnlich. Um das Gerät aufzuwecken, drücken Sie die WLAN Ein/Aus-, LED Ein/Aus-, Reset- oder WPS-Taste.

Dieses Gerät erfüllt die EU-Strahlenbelastungsgrenzwerte, die für ein unbeaufsichtigtes Umfeld festgelegt wurden. Dieses Gerät sollte mit einem Mindestabstand von 20 cm zwischen der Strahlungsquelle und Ihrem Körper installiert und betrieben werden.

Alle Betriebsarten:

2.4GHz: 802.11b, 802.11g, 802.11n (HT20), 802.11n (HT40), 802.11ac (VHT20), 802.11ac (VHT40)

5GHz: 802.11a, 802.11n (HT20), 802.11n (HT40), 802.11ac (VHT20), 802.11ac (VHT40), 802.11ac (VHT80)

Die Frequenz, der Modus und die maximale Sendeleistung in der EU sind nachfolgend aufgeführt:

2412-2472MHz (802.11g 6 Mbps): 19.96 dBm


5180-5240MHz (802.11ac VHT20 MCS0): 22.97 dBm

5260-5320MHz (802.11ac VHT40 MCS0): 22.97 dBm

5500-5700MHz (802.11ac VHT80 MCS0): 29.98 dBm

Das Gerät ist auf den Innenbereich beschränkt, wenn es im Frequenzbereich von 5150 MHz bis 5350 MHz betrieben wird.

Das Netzteil muss sich in der Nähe des Geräts befinden und leicht zugänglich sein.

| | | | | | | | |
|----------------------------------------------------------------------------------|----|----|----|----|----|----|----|
|  | AT | BE | BG | CZ | DK | EE | FR |
| | DE | IS | IE | IT | EL | ES | CY |
| | LV | LI | LT | LU | HU | MT | NL |
| | NO | PL | PT | RO | SI | SK | TR |
| | FI | SE | CH | UK | HR | UA | |
| | | | | | | | |

Safety Notices

- Benutzen Sie das Gerät nur in Umgebungen, die eine Temperatur von 0 °C (32 °F) bis 40 °C (104 °F) aufweisen.
- Prüfen Sie am Aufkleber an der Geräteunterseite, ob Ihr Netzteil den Stromversorgungsanforderungen entspricht.
- Stellen Sie das Gerät NICHT auf schräge oder instabile Arbeitsflächen. Wenden Sie sich an das Wartungspersonal, wenn das Gehäuse beschädigt wurde.
- Legen Sie KEINE Gegenstände auf das Gerät, lassen Sie keine Gegenstände darauf fallen und schieben Sie keine Fremdkörper in das Gerät.
- Setzen Sie das Gerät KEINESFALLS Flüssigkeiten, Regen oder Feuchtigkeit aus, verwenden Sie es nicht in der Nähe derartiger Gefahrenquellen. Verwenden Sie das Modem nicht während eines Gewitters.
- Decken Sie die Lüftungsöffnungen am Gerät NICHT ab, um eine Überhitzung des Systems zu vermeiden.
- Benutzen Sie KEINE beschädigten Netzkabel, Zubehörteile oder sonstigen Peripheriegeräte.
- Falls das Netzteil defekt ist, versuchen Sie nicht, es selbst zu reparieren. Wenden Sie sich an den qualifizierten Kundendienst oder Ihre Verkaufsstelle.
- Um die Gefahr eines Stromschlags zu verhindern, ziehen Sie das Netzkabel aus der Steckdose, bevor Sie das System an einem anderen Ort aufstellen.

Greek

CE statement

Απλουστευμένη δήλωση συμμόρφωσης της ΕΕ

Με το παρόν, η ASUSTek Computer Inc. δηλώνει πως αυτή η συσκευή συμμορφώνεται με τις θεμελιώδεις απαιτήσεις και άλλες σχετικές διατάξεις της Οδηγίας 2014/53/ΕΕ. Το πλήρες κείμενο της δήλωσης συμμόρφωσης της ΕΕ είναι διαθέσιμο στη διεύθυνση https://www.asus.com/Networking/RT-AC5300/HelpDesk_Declaration/.

Δήλωση συμμόρφωσης για την οδηγία Ecodesign (Οικολογικός σχεδιασμός) 2009/125/ΕΚ

Έχει διενεργηθεί δοκιμή για τις απαιτήσεις οικολογικού σχεδιασμού σύμφωνα με τους κανονισμούς (ΕΚ) αριθ. 1275/2008 και (ΕΕ) αριθ. 801/2013. Όταν η συσκευή βρίσκεται σε λειτουργία Αναμονή δικτύου, η διασύνδεση I/O και δικτύου βρίσκονται σε κατάσταση αναμονής και ενδέχεται να μην λειτουργούν σωστά. Για να ενεργοποιήσετε τη συσκευή, πατήστε το πλήκτρο ενεργοποίησης/απενεργοποίησης Wi-Fi, ενεργοποίησης/απενεργοποίησης λυχνίας LED, επαναφοράς ή το πλήκτρο WPS.

Ο παρόν εξοπλισμός συμμορφώνεται με τα όρια έκθεσης σε ακτινοβολία της ΕΕ που έχουν διατυπωθεί για μη ελεγχόμενο περιβάλλον. Ο συγκεκριμένος εξοπλισμός πρέπει να εγκατασταθεί και να λειτουργεί με ελάχιστη απόσταση 20 εκ μεταξύ της συσκευής ακτινοβολίας και του σώματός σας.

Όλοι οι τρόποι λειτουργίας:

2.4GHz: 802.11b, 802.11g, 802.11n (HT20), 802.11n (HT40), 802.11ac (VHT20), 802.11ac (VHT40)

5GHz: 802.11a, 802.11n (HT20), 802.11n (HT40), 802.11ac (VHT20), 802.11ac (VHT40), 802.11ac (VHT80)

Η συχνότητα, ο τρόπος λειτουργίας και η μέγιστη μεταδιδόμενη ισχύς στην ΕΕ αναφέρονται παρακάτω:

2412-2472MHz (802.11g 6 Mbps): 19.96 dBm


5180-5240MHz (802.11ac VHT20 MCS0): 22.97 dBm

5260-5320MHz (802.11ac VHT40 MCS0): 22.97 dBm

5500-5700MHz (802.11ac VHT80 MCS0): 29.98 dBm

Η συσκευή περιορίζεται σε χρήση σε εσωτερικούς χώρους όταν λειτουργεί στη ζώνη συχνοτήτων 5150 έως 5350 MHz.

Η προσαρμογέας θα πρέπει να εγκατασταθεί κοντά στον εξοπλισμό και να είναι εύκολα προσβάσιμος.

| | | | | | | | |
|----------------------------------------------------------------------------------|----|----|----|----|----|----|----|
|  | AT | BE | BG | CZ | DK | EE | FR |
| | DE | IS | IE | IT | EL | ES | CY |
| | LV | LI | LT | LU | HU | MT | NL |
| | NO | PL | PT | RO | SI | SK | TR |
| | FI | SE | CH | UK | HR | UA | |

Safety Notices

- Να χρησιμοποιείτε το προϊόν σε χώρους με θερμοκρασίες περιβάλλοντος από 0°C έως 40°C.
- Ανατρέξτε στην ετικέτα χαρακτηριστικών στο κάτω μέρος του προϊόντος σας και βεβαιωθείτε ότι ο προσαρμογέας τροφοδοσίας σας συμμορφώνεται με την αναγραφόμενη τιμή.
- ΜΗΝ τοποθετείτε τη συσκευή σε ανώμαλη ή ασταθή επιφάνεια εργασίας. Πηγαίνετε τη συσκευή για σέρβις αν το περίβλημα έχει πάθει βλάβη.
- ΜΗΝ τοποθετείτε αντικείμενα επάνω και μην σπρώχνετε αντικείμενα μέσα στο προϊόν.
- ΜΗΝ την εκθέτετε ή τη χρησιμοποιείτε κοντά σε υγρά, βροχή, ή υγρασία. ΜΗΝ χρησιμοποιείτε το μόντεμ κατά τη διάρκεια ηλεκτρικής καταιγίδας.
- ΜΗΝ καλύπτετε τα ανοίγματα εξαερισμού στο προϊόν για να αποφύγετε τυχόν υπερθέρμανση του συστήματος.
- ΜΗΝ καλύπτετε τα ανοίγματα εξαερισμού στο Desktop PC για να αποφύγετε τυχόν υπερθέρμανση του συστήματος.
- Αν το καλώδιο παροχής ρεύματος πάθει βλάβη, μην προσπαθήσετε να το επιδιορθώσετε μόνοι σας. Επικοινωνήστε με κατάλληλα εκπαιδευμένο τεχνικό επισκευών ή με τον μεταπωλητή σας.
- Για να αποφύγετε τον κίνδυνο ηλεκτροπληξίας, αποσυνδέστε το καλώδιο παροχής ρεύματος από την πρίζα πριν αλλάξετε θέση στο σύστημα.

Italian

CE statement

Dichiarazione di conformità UE semplificata

ASUSTek Computer Inc. con la presente dichiara che questo dispositivo è conforme ai requisiti essenziali e alle altre disposizioni pertinenti con la direttiva 2014/53/EU. Il testo completo della dichiarazione di conformità UE è disponibile all'indirizzo https://www.asus.com/Networking/RT-AC5300/HelpDesk_Declaration/.

Dichiarazione di conformità con la direttiva Ecodesign 2009/125/EC

I test per i requisiti eco-design (EC) N. 1275/2008 e (EU) N. 801/2013 sono stati eseguiti. Quando il dispositivo si trova nella modalità Standby di rete le sue interfacce di rete e I/O sono in sospensione e potrebbero non funzionare correttamente. Per riattivare il dispositivo premete uno tra i pulsanti Wi-Fi on/off, LED on/off, reset o WPS.

Questo apparecchio è conforme ai limiti UE, per l'esposizione a radiazioni, stabiliti per un ambiente non controllato. Questo apparecchio deve essere installato e utilizzato ad una distanza di almeno 20 cm dal corpo. Tutte le modalità operative:


2.4GHz: 802.11b, 802.11g, 802.11n (HT20), 802.11n (HT40), 802.11ac (VHT20), 802.11ac (VHT40)
5GHz: 802.11a, 802.11n (HT20), 802.11n (HT40), 802.11ac (VHT20), 802.11ac (VHT40), 802.11ac (VHT80)

I valori di frequenza, modalità e massima potenza di trasmissione per l'UE sono elencati di seguito:

2412-2472MHz (802.11g 6 Mbps): 19.96 dBm
5180-5240MHz (802.11ac VHT20 MCS0): 22.97 dBm
5260-5320MHz (802.11ac VHT40 MCS0): 22.97 dBm
5500-5700MHz (802.11ac VHT80 MCS0): 29.98 dBm

L'utilizzo di questo dispositivo è limitato agli ambienti interni quando si sta utilizzando la banda di frequenze compresa tra i 5150 e i 5350 MHz.

L'adattatore deve essere installato vicino al dispositivo e facilmente accessibile.

| | | | | | | | |
|----------------------------------------------------------------------------------|----|----|----|----|----|----|----|
|  | AT | BE | BG | CZ | DK | EE | FR |
| | DE | IS | IE | IT | EL | ES | CY |
| | LV | LI | LT | LU | HU | MT | NL |
| | NO | PL | PT | RO | SI | SK | TR |
| | FI | SE | CH | UK | HR | UA | |

Safety Notices

- Usa questo prodotto in ambienti la cui temperatura sia compresa tra 0°C(32°F) e 40°C(104°F).
- Consulta l'etichetta indicante la potenza posta sul fondo del prodotto e assicurati che l'adattatore di alimentazione sia compatibile con tali valori.
- Non collocare il dispositivo su superfici irregolari o instabili. Contatta il servizio clienti se lo chassis è stato danneggiato.
- NON riporre oggetti sopra il dispositivo e non infilare alcun oggetto all'interno del dispositivo.
- NON esporre a liquidi, pioggia o umidità. NON usare il modem durante i temporali.
- NON coprire le prese d'aria del prodotto per evitare che il sistema si surriscaldi.
- NON utilizzare cavi di alimentazione, accessori o periferiche danneggiate.
- Se l'adattatore è danneggiato non provare a ripararlo. Contatta un tecnico qualificato o il rivenditore.
- Per prevenire il rischio di scosse elettriche scollega il cavo di alimentazione dalla presa di corrente prima di spostare il sistema.

Norwegian CE statement

Forenklet EU-samsvarserklæring

ASUSTek Computer Inc. erklærer herved at denne enheten er i samsvar med hovedsaklige krav og andre relevante forskrifter i direktivet 2014/53/EU. Fullstendig tekst for EU-samsvarserklæringen finnes på https://www.asus.com/Networking/RT-AC5300/HelpDesk_Declaration/.

Samsvarserklæring for direktiv om miljøvennlig design 2009/125/EF

Testing for miljøutfordringskrav i henhold til (EF) nr. 1275/2008 og (EU) nr. 801/2013 er utført. Når enheten er i nettverksventemodus, er I/O- og nettverksgrensesnittet i hvilemodus og fungerer kanskje ikke som det skal. Trykk Wi-Fi på/av-, LED på/av-, tilbakestill- eller WPS-knappen for å vekke enheten.

Dette utstyret samsvarer med FCC-grensene for strålingseksponering for et ukontrollert miljø. Dette utstyret bør installeres og brukes med en minimumsavstand på 20 cm mellom radiatoren og kroppen din.

Alle operasjonsmoduser:

2.4GHz: 802.11b, 802.11g, 802.11n (HT20), 802.11n (HT40), 802.11ac (VHT20), 802.11ac (VHT40)
5GHz: 802.11a, 802.11n (HT20), 802.11n (HT40), 802.11ac (VHT20), 802.11ac (VHT40), 802.11ac (VHT80)

Frekvens, modus og maksimal overføringskraft i EU er oppført nedenfor:

2412-2472MHz (802.11g 6 Mbps): 19.96 dBm
5180-5240MHz (802.11ac VHT20 MCS0): 22.97 dBm
5260-5320MHz (802.11ac VHT40 MCS0): 22.97 dBm
5500-5700MHz (802.11ac VHT80 MCS0): 29.98 dBm

Enheten er begrenset til innendørs bruk når den brukes i frekvensområdet 5150 til 5350 MHz.

Adapteren skal plasseres nært utstyret og være lett tilgjengelig.

| | | | | | | | |
|----------------------------------------------------------------------------------|----|----|----|----|----|----|----|
|  | AT | BE | BG | CZ | DK | EE | FR |
| | DE | IS | IE | IT | EL | ES | CY |
| | LV | LI | LT | LU | HU | MT | NL |
| | NO | PL | PT | RO | SI | SK | TR |
| | FI | SE | CH | UK | HR | UA | |
| | | | | | | | |

Safety Notices

- Bruk dette produktet i miljø med en romtemperatur mellom 0°C(32°F) og 40°C(104°F).
- Se etiketten på undersiden av produktet, og sørg for strømforsyningen er i samsvar med denne klassifiseringen.
- Må IKKE plasseres på ujevne eller ustabile overflater. Oppsøk service dersom kassen har blitt skadet.
- IKKE plasser eller slipp gjenstander på, eller skyv gjenstander inn i, produktet.
- Må IKKE eksponeres for eller brukes i nærheten av væsker, regn eller fuktighet. Modemet skal IKKE brukes under elektrisk storm.
- IKKE dekk til ventilene på produktet for å forhindre at systemet blir for varmt.
- Skadede strømledninger, tilleggsutstyr eller annet periferiutstyr skal IKKE brukes.
- Hvis strømforsyningen er ødelagt, må du ikke prøve å reparere det selv. Kontakt en kvalifisert servicetekniker eller forhandleren.
- For å forhindre elektriske sjokk, koble strømkabelen fra det elektriske uttaket før du flytter systemet.

Portuguese

CE statement

Declaração de conformidade simplificada da UE

A ASUSTek Computer Inc. declara que este dispositivo está em conformidade com os requisitos essenciais e outras disposições relevantes da Diretiva 2014/53/CE. O texto integral da declaração de conformidade da UE está disponível em https://www.asus.com/Networking/RT-AC5300/HelpDesk_Declaration/.

Declaração de conformidade para a Diretiva Conção Ecológica 2009/125/CE

Foram realizados testes de requisitos de conceção ecológica de acordo com o N° 1275/2008 (CE) e N° 801/2013 (UE). Quando o dispositivo se encontra no modo de espera em rede, a interface de E/S e de rede encontram-se no modo de suspensão e poderão não funcionar corretamente. Para ativar o dispositivo, prima o botão para ativar/desativar Wi-Fi, ativar/desativar o LED, repor ou WPS.

Este equipamento cumpre os limites de exposição à radiação estabelecidos pela UE para um ambiente não controlado. Este equipamento deve ser instalado e utilizado a uma distância mínima de 20 cm entre o transmissor e o seu corpo.

Todos os modos operacionais:


2.4GHz: 802.11b, 802.11g, 802.11n (HT20), 802.11n (HT40), 802.11ac (VHT20), 802.11ac (VHT40)
5GHz: 802.11a, 802.11n (HT20), 802.11n (HT40), 802.11ac (VHT20), 802.11ac (VHT40), 802.11ac (VHT80)

A frequência, o modo e a potência máxima na UE são apresentados abaixo:

2412-2472MHz (802.11g 6 Mbps): 19.96 dBm
5180-5240MHz (802.11ac VHT20 MCS0): 22.97 dBm
5260-5320MHz (802.11ac VHT40 MCS0): 22.97 dBm
5500-5700MHz (802.11ac VHT80 MCS0): 29.98 dBm

Este dispositivo está restrito a utilização no interior quando utilizado na banda de frequências 5.150 a 5.350 MHz.

O adaptador deverá ser instalado próximo do equipamento e estar facilmente acessível.

| | | | | | | | |
|----------------------------------------------------------------------------------|----|----|----|----|----|----|----|
|  | AT | BE | BG | CZ | DK | EE | FR |
| | DE | IS | IE | IT | EL | ES | CY |
| | LV | LI | LT | LU | HU | MT | NL |
| | NO | PL | PT | RO | SI | SK | TR |
| | FI | SE | CH | UK | HR | UA | |

Safety Notices

- Utilize este equipamento em ambientes com temperaturas entre 0°C (32°F) e 40°C (104°F).
- Verifique a etiqueta relativa à tensão na parte inferior do seu dispositivo e assegure-se de que o seu transformador corresponde a essa tensão.
- NÃO coloque o computador em superfícies irregulares ou instáveis. Envie para reparação se a caixa se encontrar danificada.
- NÃO coloque nem deixe cair objetos em cima do aparelho e não introduza quaisquer objetos estranhos no produto.
- NÃO exponha o equipamento nem o utilize próximo de líquidos, chuva ou humidade. NÃO utilize o modem durante tempestades eléctricas.
- NÃO tape os orifícios de ventilação do produto para impedir o sobreaquecimento do sistema.
- NÃO utilize cabos de alimentação, acessórios ou outros periféricos danificados.
- Se a fonte de alimentação estiver avariada, não tente repará-la por si próprio. Contacte um técnico qualificado ou o seu revendedor.
- Para evitar o risco de choque eléctrico, desligue o cabo de alimentação da tomada eléctrica antes de deslocar o sistema.

Spanish

CE statement

Declaración de conformidad simplificada para la UE

Por el presente documento, ASUSTek Computer Inc. declara que este dispositivo cumple con los requisitos esenciales y otras disposiciones pertinentes de la Directiva 2014/53/UE. En https://www.asus.com/Networking/RT-AC5300/HelpDesk_Declaration/ está disponible el texto completo de la declaración de conformidad para la UE.

Declaración de conformidad para la directiva de ecodiseño 2009/125/CE

Se han realizado pruebas para cumplir los requisitos de ecodiseño conforme a las directivas (CE) nº 1275/2008 y (UE) nº 801/2013. Cuando el dispositivo está en modo de espera y conectado en red, su interfaz de E/S y de red se encuentran en el modo de suspensión y pueden no funcionar correctamente. Para reactivar el dispositivo, presione el botón de activación y desactivación de la funcionalidad Wi-Fi, el botón de encendido y apagado de LED, el botón de restablecimiento o el botón WPS.

El equipo cumple los límites de exposición de radiación de la UE fijados para un entorno no controlado. Este equipo se debe instalar y utilizar a una distancia mínima de 20 cm entre el dispositivo radiante y su cuerpo.


Todos los modos operativos:

2.4GHz: 802.11b, 802.11g, 802.11n (HT20), 802.11n (HT40), 802.11ac (VHT20), 802.11ac (VHT40)
5GHz: 802.11a, 802.11n (HT20), 802.11n (HT40), 802.11ac (VHT20), 802.11ac (VHT40), 802.11ac (VHT80)

A continuación figuran la frecuencia, el modo y la potencia máxima de transmisión en la UE:

2412-2472MHz (802.11g 6 Mbps): 19.96 dBm
5180-5240MHz (802.11ac VHT20 MCS0): 22.97 dBm
5260-5320MHz (802.11ac VHT40 MCS0): 22.97 dBm
5500-5700MHz (802.11ac VHT80 MCS0): 29.98 dBm

El dispositivo solamente debe utilizarse en interiores cuando opera en el intervalo de frecuencias de 5150 a 5350 MHz. El adaptador debe estar instalado cerca del equipo y debe disponer de un acceso fácil.

| | | | | | | | |
|----------------------------------------------------------------------------------|----|----|----|----|----|----|----|
|  | AT | BE | BG | CZ | DK | EE | FR |
| | DE | IS | IE | IT | EL | ES | CY |
| | LV | LI | LT | LU | HU | MT | NL |
| | NO | PL | PT | RO | SI | SK | TR |
| | FI | SE | CH | UK | HR | UA | |
| | | | | | | | |

Safety Notices

- Use este producto en entornos sometidos a una temperatura ambiente comprendida entre 0 °C (32 °F) y 40 °C (104 °F).
- Consulte la etiqueta de valores nominales situada en la parte inferior del producto y asegúrese de que su adaptador de alimentación cumple con dichos valores.
- NO coloque el equipo sobre una superficie irregular o inestable. Solicite asistencia técnica si la carcasa resulta dañada.
- NO coloque ni deje caer objetos en la parte superior del producto y no introduzca objetos extraños dentro de él.
- NO exponga el equipo a líquidos, lluvia o humedad, ni lo use cerca de ninguno de tales elementos. NO use el módem durante tormentas eléctricas.
- Para evitar que el sistema se sobrecaliente, no cubra las ranuras de ventilación del producto.
- NO cubra los orificios de ventilación del equipo de sobremesa para evitar que el sistema se caliente en exceso.
- NO intente reparar la fuente de alimentación personalmente si se avería. Póngase en contacto con un técnico de mantenimiento autorizado o con su distribuidor.
- A fin de evitar posibles descargas eléctricas, desconecte el cable de alimentación de la toma de suministro eléctrico antes de cambiar la posición del sistema.

Swedish CE statement

Förenklad EU-försäkran om överensstämmelse

ASUSTek Computer Inc. deklarerar härmed att denna enhet uppfyller väsentliga krav och andra relevanta bestämmelser i direktiv 2014/53/EU. Hela texten i EU-försäkran om överensstämmelse finns på https://www.asus.com/Networking/RT-AC5300/HelpDesk_Declaration/.

Försäkran om överensstämmelse för Ecodesign-direktivet 2009/125/EC

Test för ekodesignkrav i enlighet med (EC) nr 1275/2008 och (EU) nr 801/2013 har utförts. När enheten är i standby-läge för nätverk, är gränssnitten för I/O och nätverk försatta i viloläge och fungerar kanske inte ordentligt. För att väcka enheten, tryck på knappen för att slå på/stänga av Wi-Fi, slå på/stänga av LED, återställa eller WPS-knappen.

Denna utrustning uppfyller EU:s strålningsexponeringsgräns för en okontrollerad miljö. Denna utrustning skall installeras och hanteras på minst 20 cm avstånd mellan strålkällan och din kropp.

Alla funktionslägen:


2.4GHz: 802.11b, 802.11g, 802.11n (HT20), 802.11n (HT40), 802.11ac (VHT20), 802.11ac (VHT40)
5GHz: 802.11a, 802.11n (HT20), 802.11n (HT40), 802.11ac (VHT20), 802.11ac (VHT40), 802.11ac (VHT80)

Frekvens, läge och maximalt överförd ström i EU anges nedan:

2412-2472MHz (802.11g 6 Mbps): 19.96 dBm
5180-5240MHz (802.11ac VHT20 MCS0): 22.97 dBm
5260-5320MHz (802.11ac VHT40 MCS0): 22.97 dBm
5500-5700MHz (802.11ac VHT80 MCS0): 29.98 dBm

Enheten är begränsad till användning inomhus enbart vid användning inom 5 150 till 5 350 MHz frekvensområdet.

Adaptorn ska installeras nära utrustningen och ska vara lätt att komma åt.

| | | | | | | | |
|----------------------------------------------------------------------------------|----|----|----|----|----|----|----|
|  | AT | BE | BG | CZ | DK | EE | FR |
| | DE | IS | IE | IT | EL | ES | CY |
| | LV | LI | LT | LU | HU | MT | NL |
| | NO | PL | PT | RO | SI | SK | TR |
| | FI | SE | CH | UK | HR | UA | |

Safety Notices

- Använd denna produkt i en miljö med en omgivande temperatur mellan 0°C(32°F) och 40°C(104°F).
- Läs märketiketten på produktens undersida, och kontrollera att strömadaptorn uppfyller dessa märkdata.
- Placera den INTE på en ojämn eller instabil arbetsyta. Sök service om höljet har skadats.
- Placera och tappa INTE föremål ovanpå, och skjut inte in främmande föremål i produkten.
- Utsätt den INTE för eller använd i närheten av vätskor, i regn eller fukt. ANVÄND INTE modemmet under åskväder.
- Täck INTE över ventilationsöppningarna på produkten för att förhindra att systemet överhettas.
- ANVÄND INTE skadade strömsladdar, tillbehör eller annan kringutrustning.
- Om strömförsörjningen avbryts försök inte att laga det själv. Kontakta en kvalificerad servicetekniker eller din återförsäljare.
- För att förhindra elektriska stötar, koppla bort elkabeln från elnätet innan systemet flyttas.

