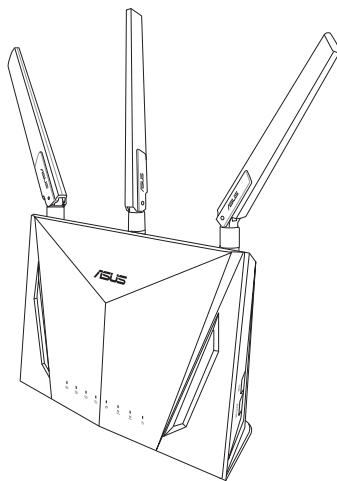


ASUS[®]

RT-AC86U

Wireless-AC2900 Dual band Gigabit Router



Quick Start Guide

JP15866 / Revised Edition V4 / October 2019



Table of contents

Package contents	3
A quick look at your router	3
Preparing your modem	4
Setting up your router	5
A. Wired connection	5
B. Wireless connection	6
Remembering your wireless router settings	7
FAQ	7
Networks Global Hotline Information	19

This QSG contains these languages:

English
 繁體中文
 日本語





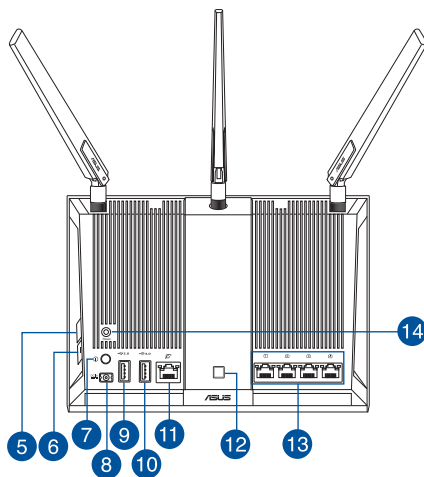
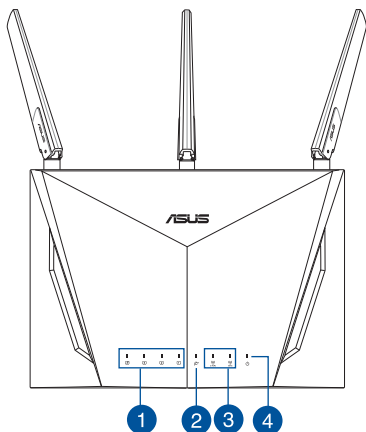
Package contents

- RT-AC86U Wireless Router
- AC adapter
- Quick Start Guide
- 3 * wireless antennas
- Network cable (RJ-45)



NOTE: If any of the items is damaged or missing, contact your retailer.

A quick look at your router



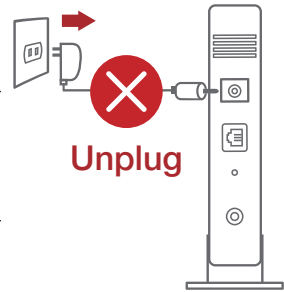
1. LAN LED	8. Power (DC-IN) port
2. WAN (Internet) LED	9. USB 2.0 port
3. 2.4GHz / 5GHz Wi-Fi LED	10. USB 3.0 port
4. Power LED	11. WAN (Internet) port
5. WPS button	12. LED On/Off button
6. Wi-Fi On/Off button	13. LAN ports
7. Power button	14. Reset button



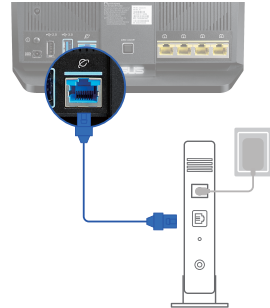
Preparing your modem

1. **Unplug the power cable/DSL modem. If it has a battery backup, remove the battery.**

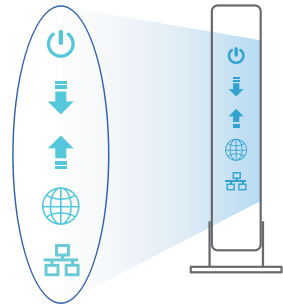
NOTE: If you are using DSL for Internet, you will need your username/password from your Internet Service Provider (ISP) to properly configure the router.



2. **Connect your modem to the router with the bundled network cable.**



3. **Power on your cable/DSL modem.**
4. **Check your cable/DSL modem LED lights to ensure the connection is active.**

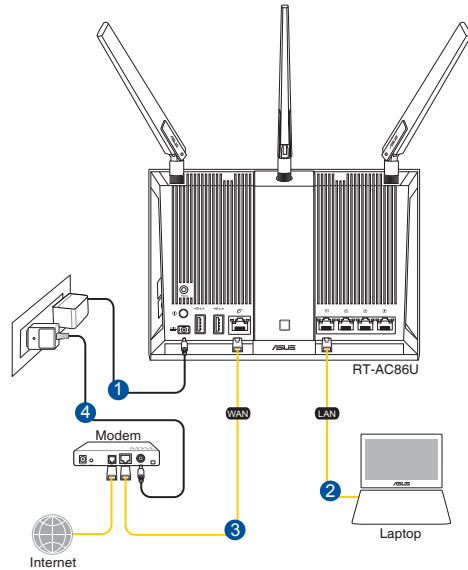


Setting up your router

You can set up your router via wired or wireless connection.

A. Wired connection

1. Plug your router into a power outlet and power it on. Connect the network cable from your computer to a LAN port on your router.



2. The web GUI launches automatically when you open a web browser. If it does not auto-launch, enter <http://router.asus.com>
3. Set up a password for your router to prevent unauthorized access.

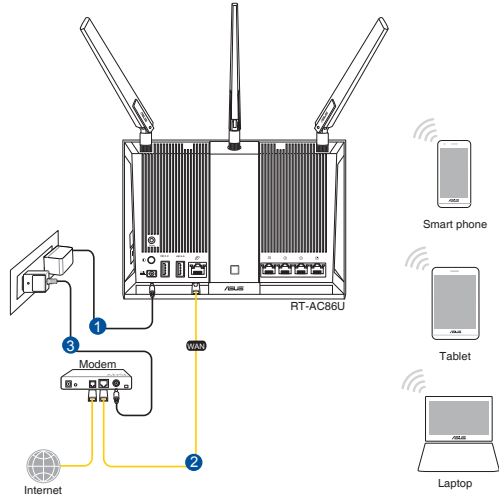
Login Information Setup

Change the router password to prevent unauthorized access to your ASUS wireless router.

Router Login Name	<input type="text" value="admin"/>
New Password	<input type="password"/>
Retype Password	<input type="password"/> <input type="checkbox"/> Show password

B. Wireless connection

1. Plug your router into a power outlet and power it on.



2. Connect to the network name (SSID) shown on the product label on the back side of the router. For better network security, change to a unique SSID and assign a password.



2.4G Wi-Fi Name (SSID): ASUS_XX_2G

5G Wi-Fi Name (SSID): ASUS_XX_5G

- * **XX** refers to the last two digits of 2.4GHz MAC address. You can find it on the label on the back of your router.



3. Once connected, the web GUI launches automatically when you open a web browser. If it does not auto-launch, enter <http://router.asus.com>.
4. Set up a password for your router to prevent unauthorized access.

Login Information Setup

Change the router password to prevent unauthorized access to your ASUS wireless router.

Router Login Name:

New Password:

Retype Password: Show password

Remembering your wireless router settings

- Remember your wireless settings as you complete the router setup.

Router Name:	Password:
2.4 GHz network SSID:	Password:
5GHz network SSID:	Password:

FAQ

1. Where can I find more information about the wireless router?
 - Online FAQ site: <http://support.asus.com/faq>
 - Technical support site: <http://support.asus.com>
 - Customer hotline: refer to the Support Hotline section in this Quick Start Guide



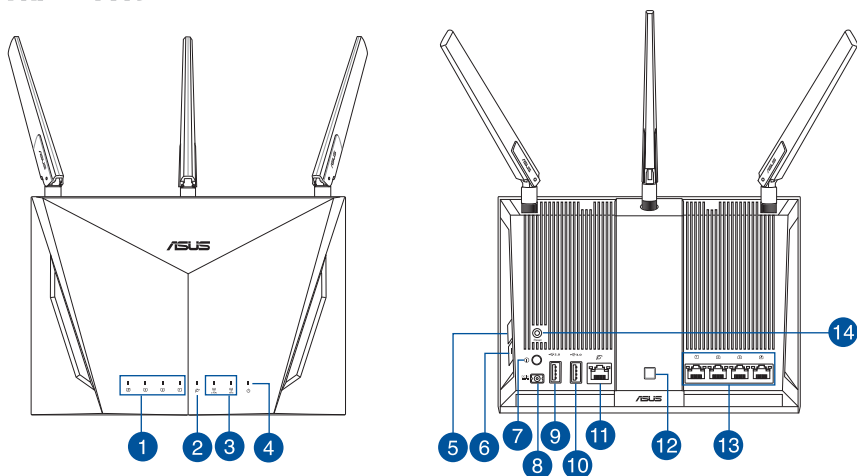
パッケージ内容

- RT-AC86U 本体
- ワイヤレスアンテナ×3
- 電源アダプター
- LANケーブル
- クイックスタートガイド (本書)
- 保証書



ご注意: 万一、付属品が足りない場合や破損していた場合は、すぐにご購入元にお申し出ください。

各部の名称

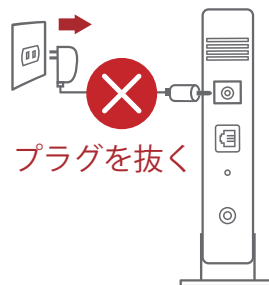


1. LAN LED	8. 電源ポート (DC-IN)
2. WAN LED	9. USB 2.0ポート
3. 2.4GHz / 5GHz Wi-Fi LED	10. USB 3.0ポート
4. 電源LED	11. WANポート
5. WPSボタン	12. LEDボタン
6. Wi-Fiボタン	13. LANポート
7. 電源ボタン	14. リセットボタン

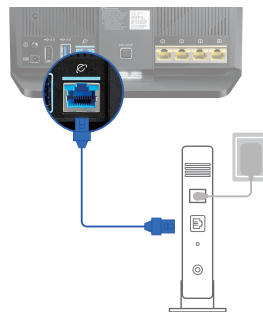
セットアップを行う前に

1. モデム/回線終端装置のプラグを抜きます。バックアップ用のバッテリーがある場合は取り外します。

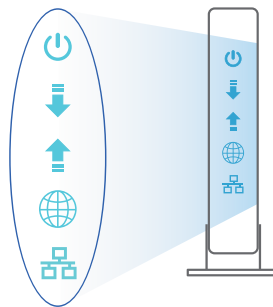
注意: インターネットの接続タイプや接続ユーザー名、接続パスワードなどについては、ご契約のISP（インターネットサービスプロバイダー）へお問い合わせください。



2. 付属のLANケーブルでモデム/回線終端装置と無線LANルーターのWANポートを接続します。



3. モデム/回線終端装置の電源を入れます。
4. モデム/回線終端装置のLEDが点灯していることを確認し、接続が有効であることを確認します。

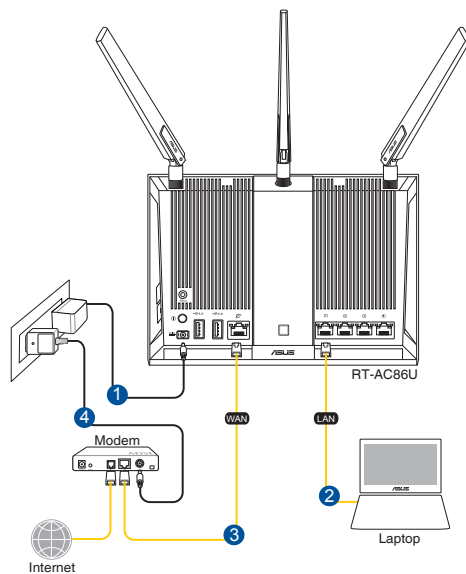


無線LANルーターのセットアップ

無線LANルーターは有線/無線環境のいずれでも設定可能です。

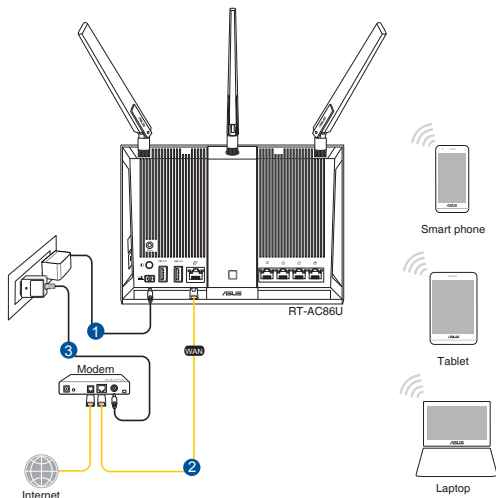
A. 有線接続

1. 無線LANルーターに電源ケーブルを接続し、電源を入れます。無線LANルーターのLANポートとコンピューターのLANケーブルで接続します。



B. 無線接続

1. 無線LANルーターに電源ケーブルを接続し、電源を入れます。



2. ルーター背面の製品ラベルに記載されているネットワーク名 (SSID) のネットワークに接続します。



2.4G Wi-Fi 名 (SSID): ASUS_XX_2G

5G Wi-Fi 名 (SSID): ASUS_XX_5G

* 「XX」は2.4GHz MACアドレスの最後の2桁を意味します。ルーター背面のラベルに記載があります。

セットアップ

1. 接続された後にWebブラウザを開くと、クイックインターネットセットアップ (QIS) のページが自動的に起動します。自動的に起動しない場合は、Webブラウザのアドレス欄に「http://router.asus.com」または「192.168.1.1」を入力してください。
2. 不正なアクセスを防ぐため、パスワードを設定してください。

3. ISP (インターネットサービスプロバイダー) の接続に必要な情報を入力します。接続タイプがダイナミックIP (動的) の場合は、自動的に無線設定画面に移動します。
4. 2.4GHz帯、5GHz帯のネットワーク名 (SSID) とパスワードを設定します。

- 無線設定を下記に書き留めてください。

ログイン名:	パスワード:
2.4 GHz ネットワークSSID:	パスワード:
5GHz ネットワークSSID:	パスワード:



FAQ (お問い合わせ)

製品の情報を確認したいです。

- 製品ページ: <http://www.asus.com/Networking/>
- サポートサイト: <http://www.asus.com/support>
- サポート・ホットライン: 本書の一覧表をご参照ください。

日本語



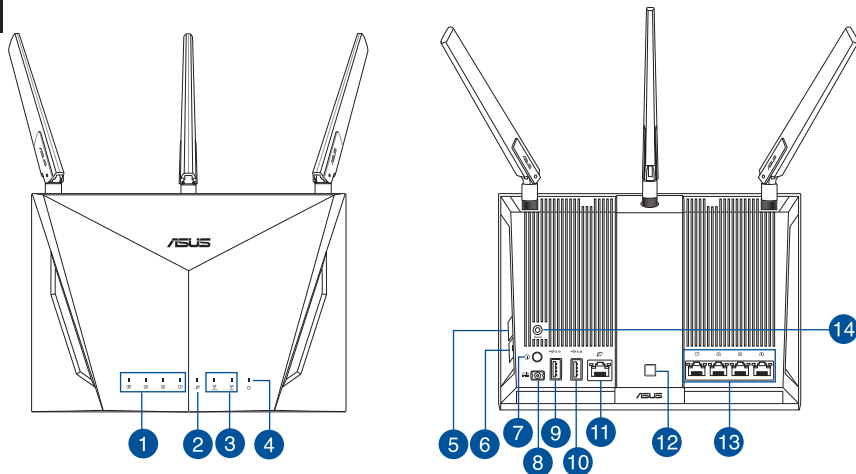
包裝內容物

- ☑ RT-AC86U 無線分享器
- ☑ 3 × 無線輸出天線
- ☑ 電源變壓器
- ☑ RJ-45 網路線
- ☑ 快速使用指南



注意：若以上列出的任何一項配件有毀損或是短缺的情形，請儘速聯絡您的經銷商。

認識您的 RT-AC86U 無線分享器

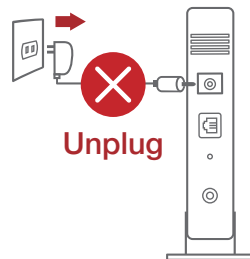


1. LAN 指示燈	8. 電源輸入埠 (DC-IN)
2. WAN (網際網路) 指示燈	9. USB 2.0 連接埠
3. 2.4GHz / 5GHz Wi-Fi 指示燈	10. USB 3.0 連接埠
4. 電源指示燈	11. WAN (網際網路) 連接埠
5. WPS 按鈕	12. 指示燈 開啟 / 關閉按鈕
6. Wi-Fi 開啟 / 關閉按鈕	13. LAN 連接埠
7. 電源按鈕	14. 重置按鈕

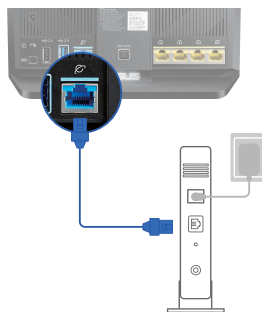
準備您的數據機

1. 拔除您的纜線/ DSL數據機電源，若數據機內含備用電池，請移除電池。

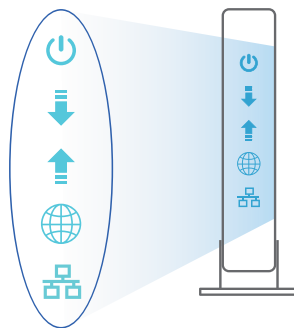
注意： 若您使用 DSL 連接網際網路，將會需要向您的網際網路服務業者 (ISP) 取得登入名稱/密碼，以正確安裝您的無線分享器。



2. 使用附贈的網路線連接您的數據機與無線分享器。



3. 開啟您的纜線/DSL數據機。
4. 檢查您纜線/ DSL 數據機上的指示燈，確認已經連線。

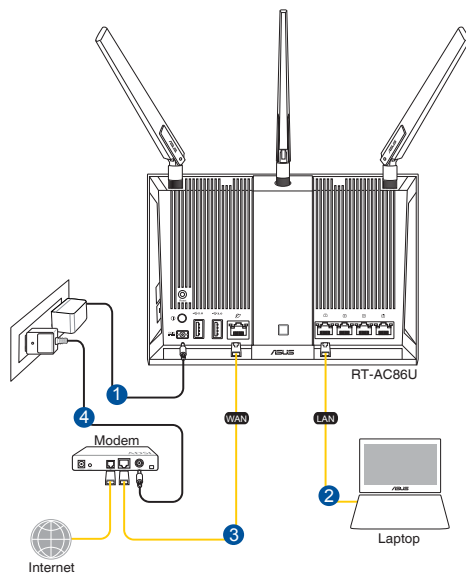


設定您的 RT-AC86U 無線分享器

您可以透過有線或無線兩種方式設定您的無線分享器

A. 有線連接：

1. 將您的無線分享器與電源相連並開機。用網路線將您的電腦與無線分享器相連。



2. 當您開啟網頁瀏覽器時，網頁設定介面會自動出現。若沒有出現，請在網址欄中輸入 <http://router.asus.com>。
3. 為無線分享器設定密碼以防止未經授權的存取。

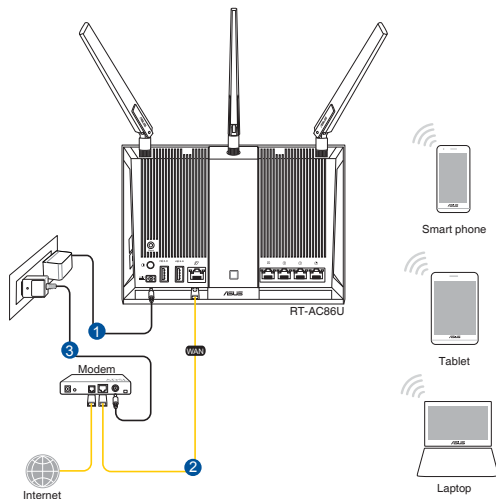
Login Information Setup

Change the router password to prevent unauthorized access to your ASUS wireless router.

Router Login Name	<input type="text" value="admin"/>
New Password	<input type="password"/>
Retype Password	<input type="password"/> <input type="checkbox"/> Show password

B. 無線連接

1. 開機前請將 Micro SIM 卡插入 Micro SIM 卡插槽，並將 LTE 天線安裝好。用網路線將您的數據機連接到無線分享器的藍色乙太網連接埠。開啟電腦或其他裝置的 Wi-Fi 功能。



2. 連接到無線分享器後方標籤上註明的網路名稱 (SSID)。為確保最佳的網路安全性，請更改預設的 SSID 和密碼。



2.4G Wi-Fi 名稱 (SSID): ASUS_XX_2G

5G Wi-Fi 名稱 (SSID): ASUS_XX_5G

* XX 是 2.4GHz MAC 位址的後兩位數字。您可在機器底部的貼紙上找到。

3. 連接網路後，當您開啟網頁瀏覽器時，網頁設定介面會自動出現。若沒有出現，請在網址欄中輸入 <http://router.asus.com>。
4. 為無線分享器設定密碼以防止未經授權的存取。

Login Information Setup

Change the router password to prevent unauthorized access to your ASUS wireless router.

Router Login Name:

New Password:

Retype Password: Show password

記住無線分享器的設定

- 完成無線分享器的設定後，請記住您的無線設定。

分享器名稱：	密碼：
2.4 GHz 網路名稱（SSID）：	密碼：
5GHz 網路名稱（SSID）：	密碼：

FAQ

1. 哪裡可以找到更多的無線分享器資訊？
 - 線上 FAQ 網址：<http://support.asus.com/faq>
 - 華碩支援網站：<https://www.asus.com/tw/support/>
 - 客戶服務熱線：請參閱此快速使用指南的支援熱線

Networks Global Hotline Information

Area	Country/ Region	Hotline Number	Service Hours	
Europe	Cyprus	800-92491	09:00-13:00 ; 14:00-18:00 Mon-Fri	
	France	0033-170949400	09:00-18:00 Mon-Fri	
	Germany	0049-1805010920		
		0049-1805010923 (component support)		09:00-18:00 Mon-Fri 10:00-17:00 Mon-Fri
		0049-2102959911 (Fax)		
	Hungary	0036-15054561	09:00-17:30 Mon-Fri	
	Italy	199-400089	09:00-13:00 ; 14:00-18:00 Mon-Fri	
	Greece	00800-44142044	09:00-13:00 ; 14:00-18:00 Mon-Fri	
	Austria	0043-820240513	09:00-18:00 Mon-Fri	
	Netherlands/ Luxembourg	0031-591570290	09:00-17:00 Mon-Fri	
	Belgium	0032-78150231	09:00-17:00 Mon-Fri	
	Norway	0047-2316-2682	09:00-18:00 Mon-Fri	
	Sweden	+46-858769407	09:00-18:00 Mon-Fri	
	Finland	00358-969379690	10:00-19:00 Mon-Fri	
	Denmark	0045-38322943	09:00-18:00 Mon-Fri	
	Poland	0048-225718040	08:30-17:30 Mon-Fri	
	Spain	0034-902889688	09:00-18:00 Mon-Fri	
	Portugal	00351-707500310	09:00-18:00 Mon-Fri	
	Slovak Republic	00421-232162621	08:00-17:00 Mon-Fri	
	Czech Republic	00420-596766888	08:00-17:00 Mon-Fri	
	Switzerland-German	0041-848111010	09:00-18:00 Mon-Fri	
	Switzerland-French	0041-848111014	09:00-18:00 Mon-Fri	
	Switzerland-Italian	0041-848111012	09:00-18:00 Mon-Fri	
United Kingdom	0044-1442265548	09:00-17:00 Mon-Fri		
Ireland	0035-31890719918	09:00-17:00 Mon-Fri		
Russia and CIS	008-800-100-ASUS	09:00-18:00 Mon-Fri		
Ukraine	0038-0445457727	09:00-18:00 Mon-Fri		



Area	Country/ Region	Hotline Numbers	Service Hours
Asia-Pacific	Australia	1300-278788	09:00-18:00 Mon-Fri
	New Zealand	0800-278788	09:00-18:00 Mon-Fri
	Japan	0800-1232787	09:00-18:00 Mon-Fri
			09:00-17:00 Sat-Sun
		0081-570783886 (Non-Toll Free)	09:00-18:00 Mon-Fri 09:00-17:00 Sat-Sun
	Korea	0082-215666868	09:30-17:00 Mon-Fri
	Thailand	0066-24011717	09:00-18:00 Mon-Fri
		1800-8525201	
	Singapore	0065-64157917	11:00-19:00 Mon-Fri
		0065-67203835	11:00-19:00 Mon-Fri
		(Repair Status Only)	11:00-13:00 Sat
	Malaysia	0060-320535077	10:00-19:00 Mon-Fri
	Philippine	1800-18550163	09:00-18:00 Mon-Fri
	India	1800-2090365	09:00-18:00 Mon-Sat
	India(WL/NW)		09:00-21:00 Mon-Sun
Indonesia	0062-2129495000	09:30-17:00 Mon-Fri	
	500128 (Local Only)	9:30 – 12:00 Sat	
Vietnam	1900-555581	08:00-12:00	
		13:30-17:30 Mon-Sat	
Hong Kong	00852-35824770	10:00-19:00 Mon-Sat	
Americas	USA	1-812-282-2787	8:30-12:00 EST Mon-Fri
	Canada		9:00-18:00 EST Sat-Sun
	Mexico	001-8008367847	08:00-20:00 CST Mon-Fri
08:00-15:00 CST Sat			





Area	Country/ Region	Hotline Numbers	Service Hours
Middle East + Africa	Egypt	800-2787349	09:00-18:00 Sun-Thu
	Saudi Arabia	800-1212787	09:00-18:00 Sat-Wed
	UAE	00971-42958941	09:00-18:00 Sun-Thu
	Turkey	0090-2165243000	09:00-18:00 Mon-Fri
	South Africa	0861-278772	08:00-17:00 Mon-Fri
	Israel	*6557/00972-39142800	08:00-17:00 Sun-Thu
		*9770/00972-35598555	08:30-17:30 Sun-Thu
Balkan Countries	Romania	0040-213301786	09:00-18:30 Mon-Fri
	Bosnia Herzegovina	00387-33773163	09:00-17:00 Mon-Fri
	Bulgaria	00359-70014411	09:30-18:30 Mon-Fri
		00359-29889170	09:30-18:00 Mon-Fri
	Croatia	00385-16401111	09:00-17:00 Mon-Fri
	Montenegro	00382-20608251	09:00-17:00 Mon-Fri
	Serbia	00381-112070677	09:00-17:00 Mon-Fri
	Slovenia	00368-59045400	08:00-16:00 Mon-Fri
00368-59045401			
Baltic Countries	Estonia	00372-6671796	09:00-18:00 Mon-Fri
	Latvia	00371-67408838	09:00-18:00 Mon-Fri
	Lithuania-Kaunas	00370-37329000	09:00-18:00 Mon-Fri
	Lithuania-Vilnius	00370-522101160	09:00-18:00 Mon-Fri

NOTES:

- UK support e-mail: **network_support_uk@asus.com**
- For more information, visit the ASUS support site at: **<http://support.asus.com>**





ASUS Recycling/Takeback Services

ASUS recycling and takeback programs come from our commitment to the highest standards for protecting our environment. We believe in providing solutions for you to be able to responsibly recycle our products, batteries, other components, as well as the packaging materials. Please go to <http://csr.asus.com/english/Takeback.htm> for the detailed recycling information in different regions.

REACH

Complying with the REACH (Registration, Evaluation, Authorisation, and Restriction of Chemicals) regulatory framework, we published the chemical substances in our products at ASUS REACH website at <http://csr.asus.com/english/REACH.htm>

Federal Communications Commission Statement

This device complies with Part 15 of the FCC Rules. Operation is subject to the following two conditions:

- This device may not cause harmful interference.
- This device must accept any interference received, including interference that may cause undesired operation.

This equipment has been tested and found to comply with the limits for a class B digital device, pursuant to part 15 of the FCC Rules. These limits are designed to provide reasonable protection against harmful interference in a residential installation.

This equipment generates, uses and can radiate radio frequency energy and, if not installed and used in accordance with the instructions, may cause harmful interference to radio communications. However, there is no guarantee that interference will not occur in a particular installation. If this equipment does cause harmful interference to radio or television reception, which can be determined by turning the equipment off and on, the user is encouraged to try to correct the interference by one or more of the following measures:

- Reorient or relocate the receiving antenna.
- Increase the separation between the equipment and receiver.
- Connect the equipment into an outlet on a circuit different from that to which the receiver is connected.
- Consult the dealer or an experienced radio/TV technician for help.



WARNING! Any changes or modifications not expressly approved by the party responsible for compliance could void the user's authority to operate the equipment.





Prohibition of Co-location

This device and its antenna(s) must not be co-located or operating in conjunction with any other antenna or transmitter.

IMPORTANT NOTE:

Radiation Exposure Statement: This equipment complies with FCC radiation exposure limits set forth for an uncontrolled environment. End users must follow the specific operating instructions for satisfying RF exposure compliance. To maintain compliance with FCC exposure compliance requirement, please follow operation instruction as documented in this manual.

Declaration of Conformity for R&TTE directive 1999/5/EC

Essential requirements – Article 3

Protection requirements for health and safety – Article 3.1a

Testing for electric safety according to EN 60950-1 has been conducted. These are considered relevant and sufficient.

Protection requirements for electromagnetic compatibility – Article 3.1b

Testing for electromagnetic compatibility according to EN 301 489-1 and EN 301 489-17 has been conducted. These are considered relevant and sufficient.

Effective use of the radio spectrum – Article 3.2

Testing for radio test suites according to EN 300 328- 2 has been conducted. These are considered relevant and sufficient.

Declaration of Conformity for Ecodesign directive 2009/125/EC

Testing for eco-design requirements according to (EC) No 1275/2008 and (EU) No 801/2013 has been conducted. When the device is in Networked Standby Mode, its I/O and network interface are in sleep mode and may not work properly. To wake up the device, press the Wi-Fi on/off, LED on/off, reset, or WPS button.

CE Mark Warning

This is a Class B product, in a domestic environment, this product may cause radio interference, in which case the user may be required to take adequate measures. Operation Channels: CH1~11 for N. America; Ch1~13 for Japan; CH1~13 for Europe (ETSI)

This equipment may be operated in AT, BE, CY, CZ, DK, EE, FI, FR, DE, GR, HU, IE, IT, LU, MT, NL, PL, PT, SK, SL, ES, SE, GB, IS, LI, NO, CH, BG, RO, RT.

Canada, Industry Canada (IC) Notices

This Class B digital apparatus complies with Canadian ICES-003 and RSS-210.

Operation is subject to the following two conditions: (1) this device may not cause interference, and (2) this device must accept any interference, including interference that may cause undesired operation of the device.





Radio Frequency (RF) Exposure Information

The radiated output power of the ASUS Wireless Device is below the Industry Canada (IC) radio frequency exposure limits. The ASUS Wireless Device should be used in such a manner such that the potential for human contact during normal operation is minimized.

This device has been evaluated for and shown compliant with the IC Specific Absorption Rate ("SAR") limits when installed in specific host products operated in portable exposure conditions (antennas are less than 20 centimeters of a person's body).

This device has been certified for use in Canada. Status of the listing in the Industry Canada's REL (Radio Equipment List) can be found at the following web address:

<http://www.ic.gc.ca/app/sitt/reltel/srch/nwRdSrch.do?lang=eng>

Additional Canadian information on RF exposure also can be found at the following web:

<http://www.ic.gc.ca/eic/site/smt-gst.nsf/eng/sf08792.html>

Canada, avis d'Industry Canada (IC)

Cet appareil numérique de classe B est conforme aux normes canadiennes ICES-003 et RSS-210.

Son fonctionnement est soumis aux deux conditions suivantes : (1) cet appareil ne doit pas causer d'interférence et (2) cet appareil doit accepter toute interférence, notamment les interférences qui peuvent affecter son fonctionnement.

Informations concernant l'exposition aux fréquences radio (RF)

La puissance de sortie émise par l'appareil de sans fil ASUS est inférieure à la limite d'exposition aux fréquences radio d'Industry Canada (IC). Utilisez l'appareil de sans fil ASUS de façon à minimiser les contacts humains lors du fonctionnement normal.

Ce périphérique a été évalué et démontré conforme aux limites SAR (Spécific Absorption Rate – Taux d'absorption spécifique) d'IC lorsqu'il est installé dans des produits hôtes particuliers qui fonctionnent dans des conditions d'exposition à des appareils portables (les antennes se situent à moins de 20 centimètres du corps d'une personne).

Ce périphérique est homologué pour l'utilisation au Canada. Pour consulter l'entrée correspondant à l'appareil dans la liste d'équipement radio (REL - Radio Equipment List) d'Industry Canada rendez-vous sur:

<http://www.ic.gc.ca/app/sitt/reltel/srch/nwRdSrch.do?lang=eng>

Pour des informations supplémentaires concernant l'exposition aux RF au Canada rendez-vous sur :

<http://www.ic.gc.ca/eic/site/smt-gst.nsf/eng/sf08792.html>





NCC 警語

經型式認證合格之低功率射頻電機，非經許可，公司、商號或使用者均不得擅自變更頻率、加大功率或變更原設計之特性及功能。低功率射頻電機之使用不得影響飛航安全及干擾合法通信；經發現有干擾現象時，應立即停用，並改善至無干擾時方得繼續使用。前項合法通信，指依電信法規定作業之無線電通信。低功率射頻電機須忍受合法通信或工業、科學及醫療用電波輻射性電機設備之干擾。

屋外での使用について

本製品は、5GHz 帯域での通信に対応しています。電波法の定めにより5.2GHz、5.3GHz 帯域の電波は屋外で使用が禁じられています。

法律および規制遵守

本製品は電波法及びこれに基づく命令の定めるところに従い使用してください。日本国外では、その国の法律または規制により、本製品を使用ができないことがあります。このような国では、本製品を運用した結果、罰せられることがあります。当社は一切責任を負いかねますのでご了承ください。

VCCI: Japan Compliance Statement

この装置は、情報処理装置等電波障害自主規制協議会（VCCI）の基準に基づくクラスB情報技術装置です。この装置は、家庭環境で使用することを目的としていますが、この装置がラジオやテレビジョン受信機に近接して使用されると、受信障害を引き起こすことがあります。取り扱い説明書に従って正しい取り扱いをして下さい。







